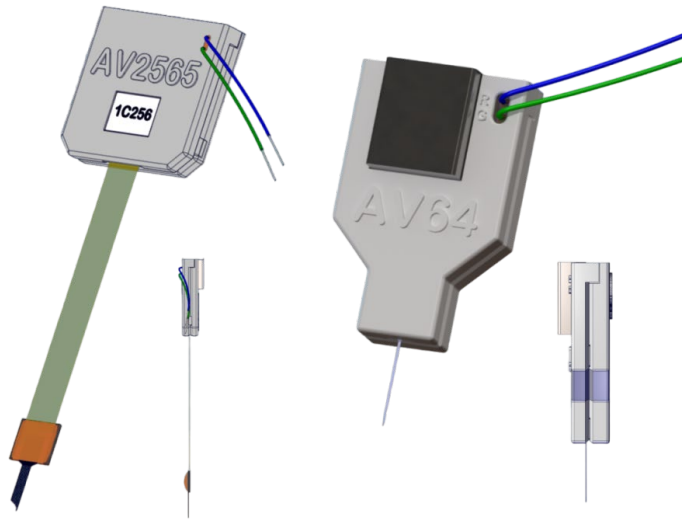


Activus products are the latest innovation for NeuroNexus's proven flagship silicon probe technology. Integrated active circuitry provides on-board signal conditioning, digitization and multiplexing to reduce overall size and weight of high-channel count probe packages while improving signal quality.



Advantages

- Compatible with existing and customized probe designs
- Ultra-compact package for acute or chronic use
- Digitization close to signal source leads to reduced noise and artifacts
- Direct connection to XDAQ, SmartBox Pro, Intan, or Open-Ephys systems

Specification

Channel Count	64, 128, 256
A/D Converter	16-bit ADC
Sampling Rate	1-30 k Samples/s per channel
Cutoff Frequency	Low: 0.1-500Hz High: 100Hz-20kHz
Low input-referred noise	2.4 μ V rms
Electrode Length	1.5-14 mm *
Electrode Thickness	15 μ m or 50 μ m *
Electrode Site Material	Standard: Ir Custom: Pt, Au
Shanks	Quantity: 1-16 Length: 1.5-15 mm

*varies by design & customizable

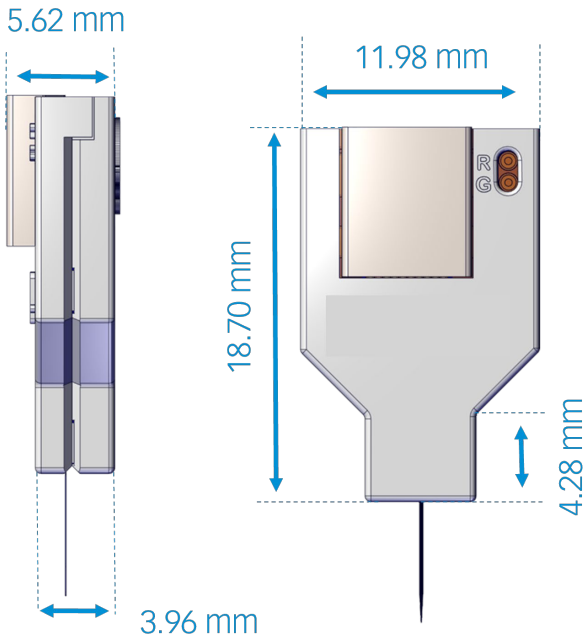
System Requirements

- Radiens Analytics Software Suite or Open-Ephys GUI or Intan RHX
- In addition to one of the following:
- NeuroNexus XDAQ/SmartBox Pro Systems
 - Open-Ephys DAQ System
 - Intan DAQ System

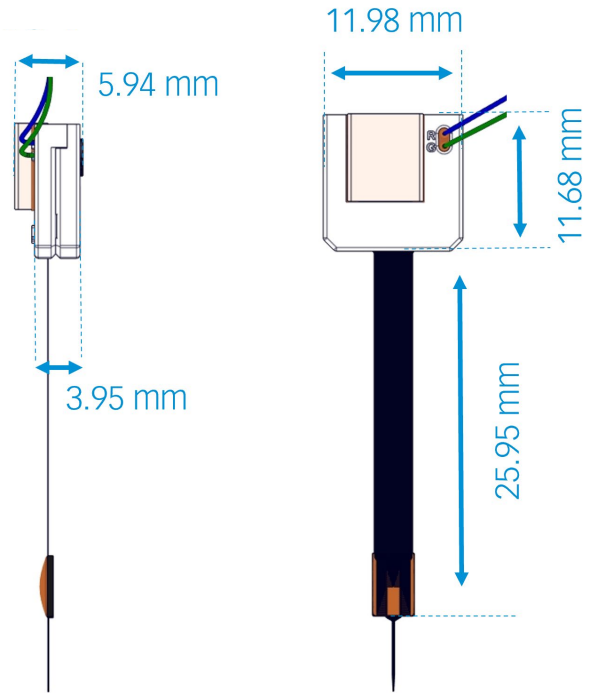
Probe Package Options

- Cable or no cable (Chronic & Acute)
- Cable length: 30 mm
- SmartLink cable connector
- SPI cable connector
- Compatible with implantable microdrives
- Compatible with NNx insertion assist devices

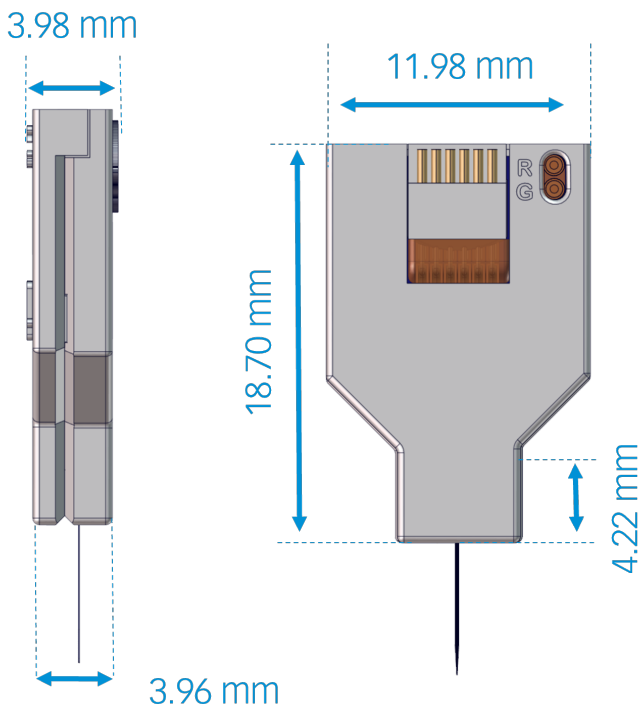
AV64



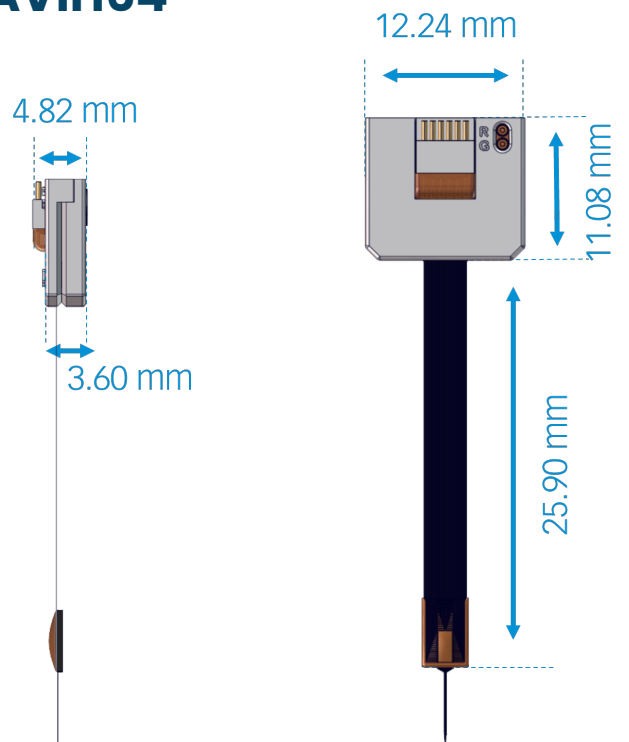
AVH64



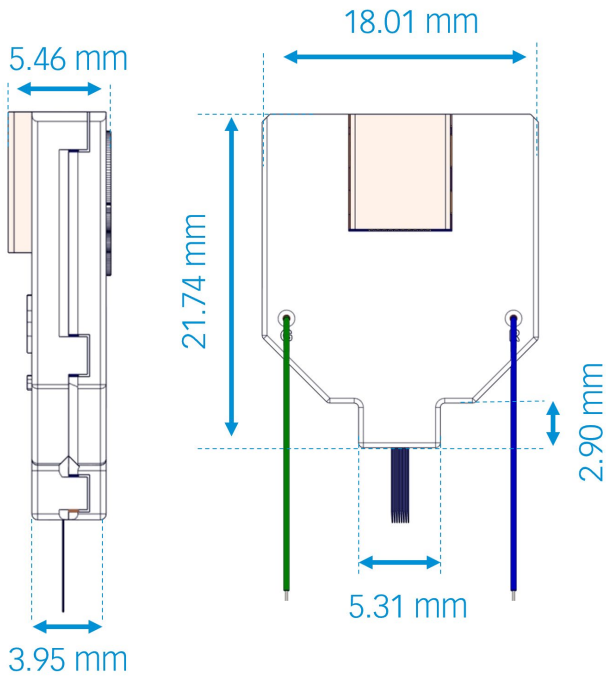
AVI64



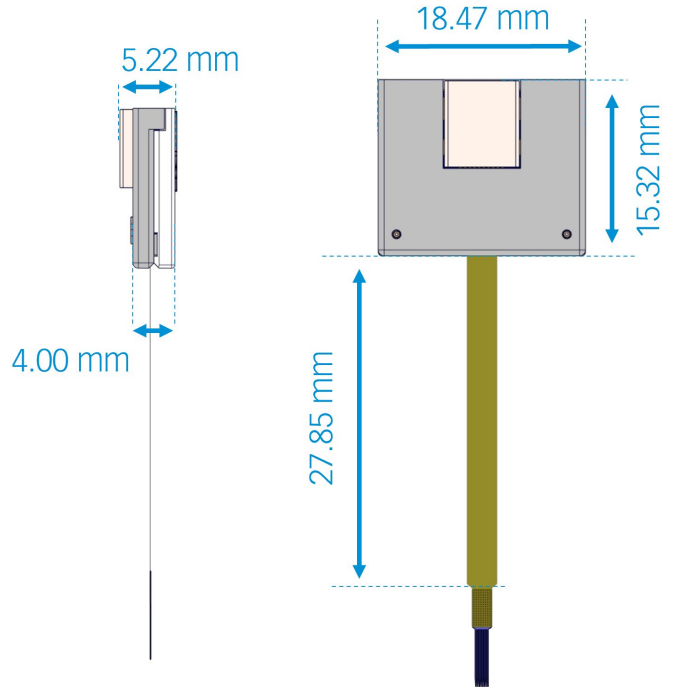
AVIH64



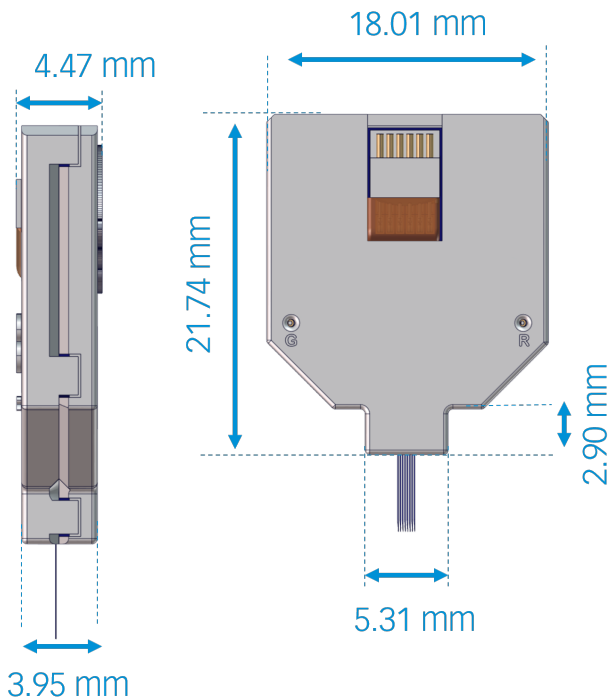
AVI28



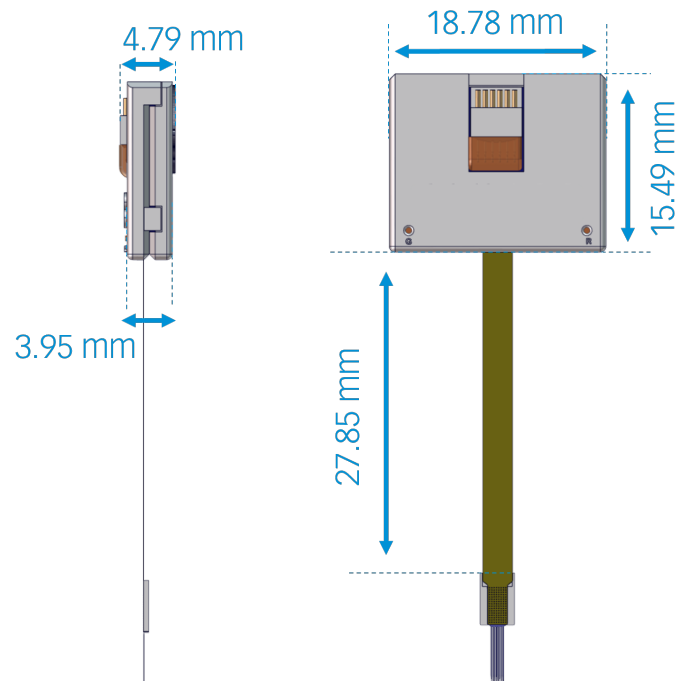
AVH128



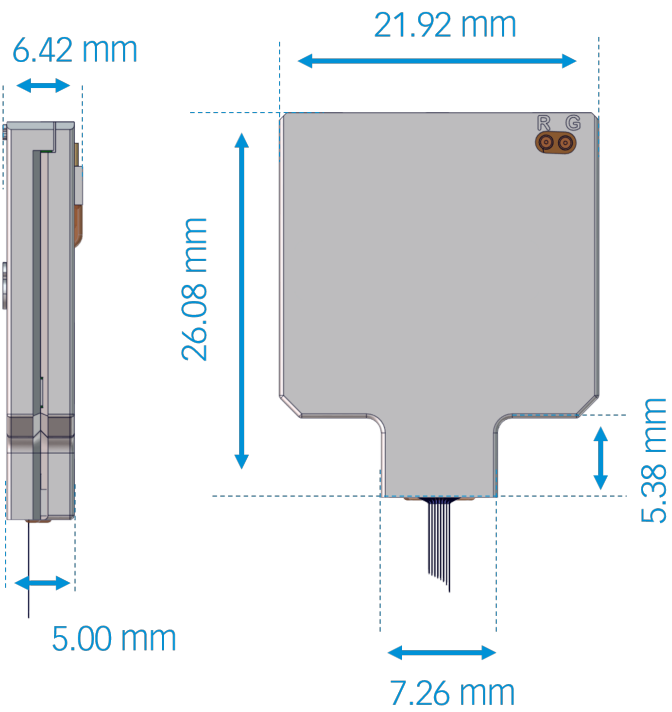
AVI128



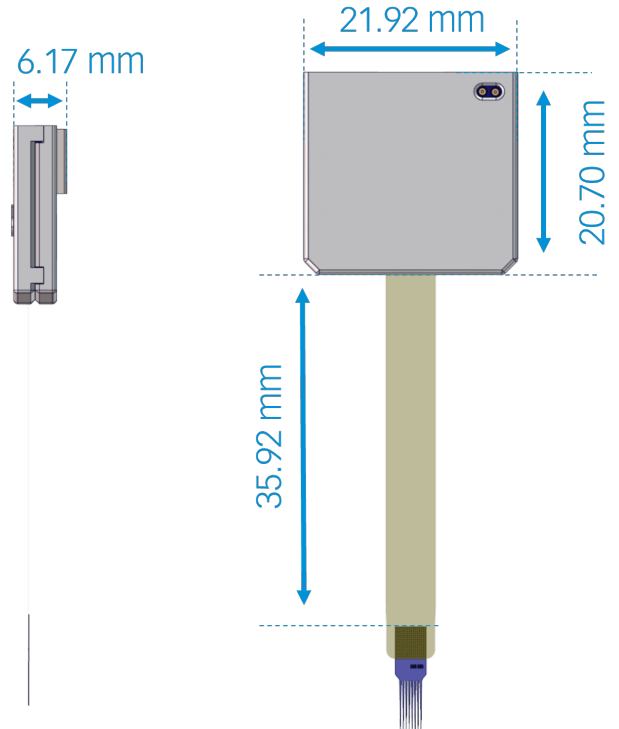
AVIH128



AV256



AVH256



HDMI-Intan Adapter

This adapter facilitates connectivity between an HDMI connector on the SmartLink cable and two PZN Omnetics connectors on the Intan Evaluation board. This enables the connection of up to 256 channels to the Intan Evaluation system, offering enhanced versatility and expanded functionality.

