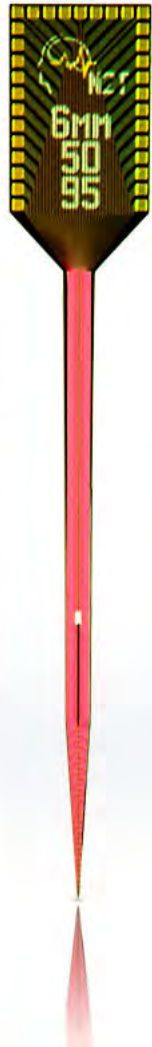




NeuroNexus

2023 Penetrating
Probe Designs



INDEX

03 *16-Channel Probes*

78 *32-Channel Probes*

184 *64-Channel Probes*

234 *128-Channel Probes*

250 *256-Channel Probes*

263 *Matrix Arrays*

297 *4-Channel Probes*

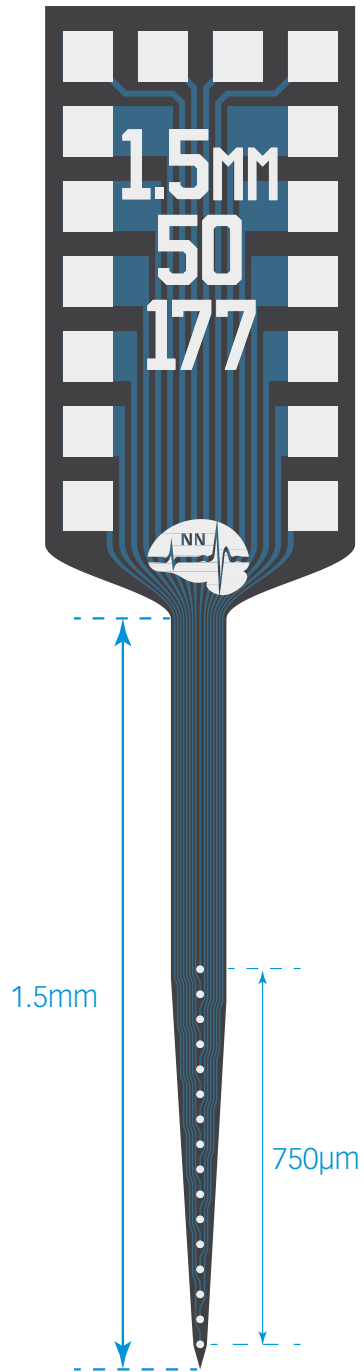
317 *Vector Arrays*

340 *Cardiac Arrays*

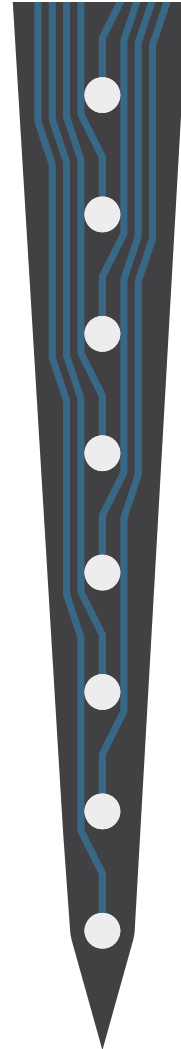


16- Channel Probes

A1x16-1.5mm-50-177



TIP DETAIL



available packages

ACUTE
A16

CHRONIC
CM16LP
H16_21mm
HC16_21mm
HZ16_21mm
Z16

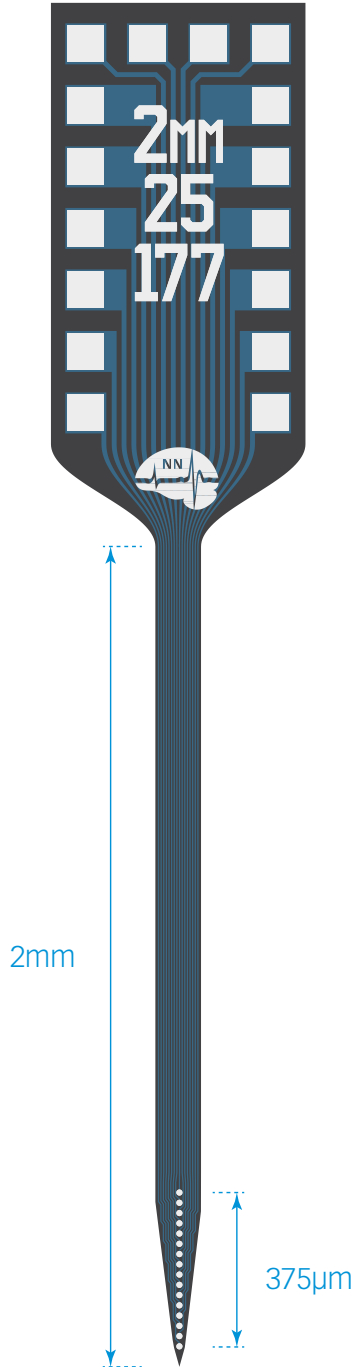
OPTOGENETICS
OA16LP
OCM16LP
OH16LP (required for oDrive)
OZ16LP

MR-COMPATIBLE
MR_CM16
MR_H16_21mm
MR_HC16_21mm

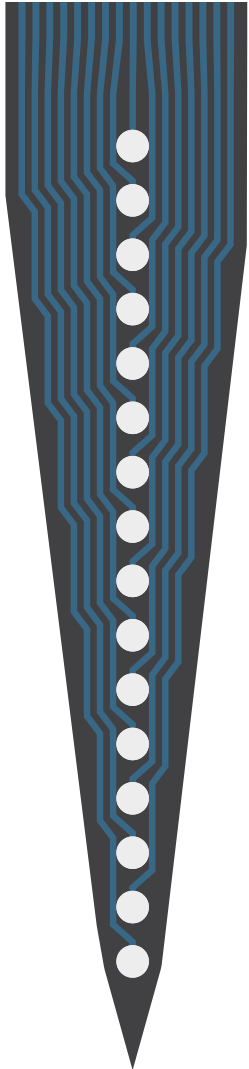
thickness

50 μ m

A1x16-2mm-25-177



TIP DETAIL



available packages

ACUTE
A16

CHRONIC
CM16LP
H16_21mm
HC16_21mm
HZ16_21mm
Z16

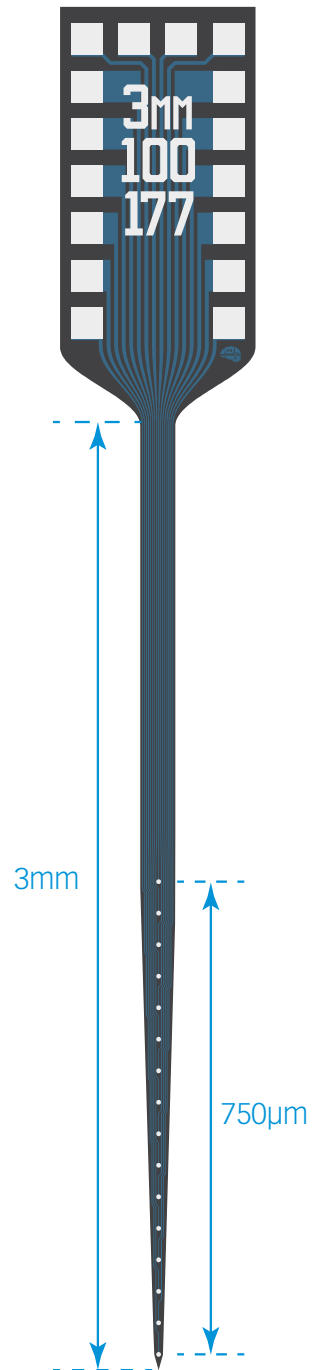
OPTOGENETICS
OA16LP
OCM16LP
OH16LP (required for oDrive)
OZ16LP

MR-COMPATIBLE
MR_CM16
MR_H16_21mm
MR_HC16_21mm

thickness

15 µm

A1x16-3mm-100-177



TIP DETAIL



available packages

ACUTE
A16

CHRONIC
CM16LP
H16_21mm
HC16_21mm
HZ16_21mm
Z16

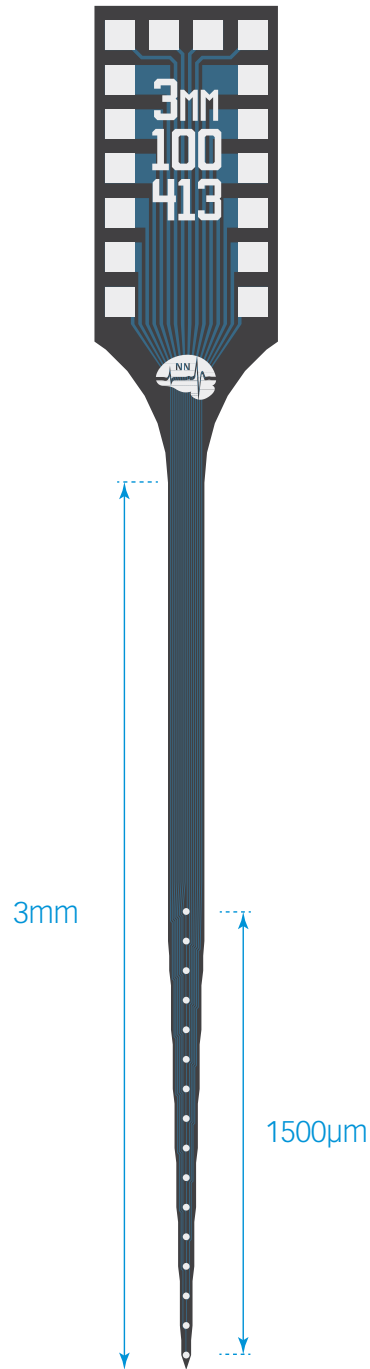
OPTOGENETICS
OA16LP
OCM16LP
OH16LP (required for oDrive)
OZ16LP

MR-COMPATIBLE
MR_CM16
MR_H16_21mm
MR_HC16_21mm

thickness

15 µm
50 µm

A1x16-3mm-100-413



TIP DETAIL



available packages

ACUTE
A16

CHRONIC
CM16LP
H16_21mm
HC16_21mm
HZ16_21mm
Z16

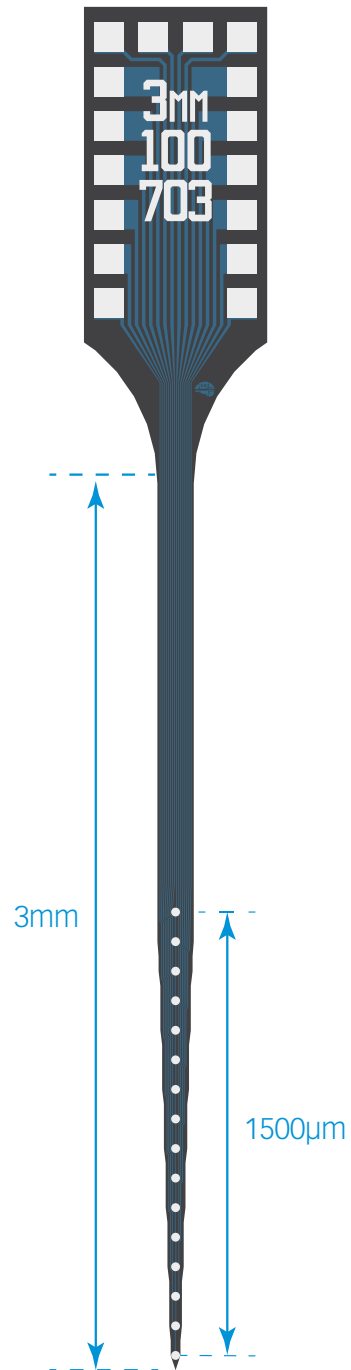
OPTOGENETICS
OA16LP
OCM16LP
OH16LP (required for oDrive)
OZ16LP

MR-COMPATIBLE
MR_CM16
MR_H16_21mm
MR_HC16_21mm

thickness

15 µm
50 µm

A1x16-3mm-100-703



TIP DETAIL



available packages

ACUTE
A16

CHRONIC
CM16LP
H16_21mm
HC16_21mm
HZ16_21mm
Z16

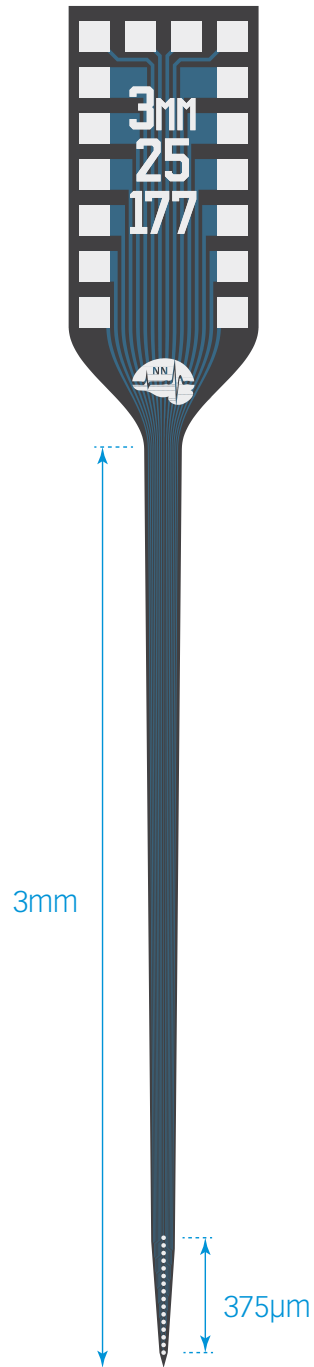
OPTOGENETICS
OA16LP
OCM16LP
OH16LP (required for oDrive)
OZ16LP

MR-COMPATIBLE
MR_CM16
MR_H16_21mm
MR_HC16_21mm

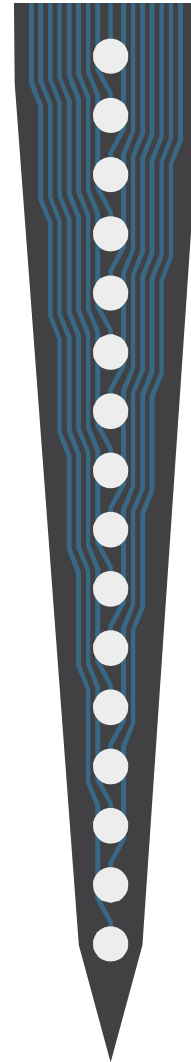
thickness

15 µm
50 µm

A1x16-3mm-25-177



TIP DETAIL



available packages

ACUTE
A16

CHRONIC
CM16LP
H16_21mm
HC16_21mm
HZ16_21mm
Z16

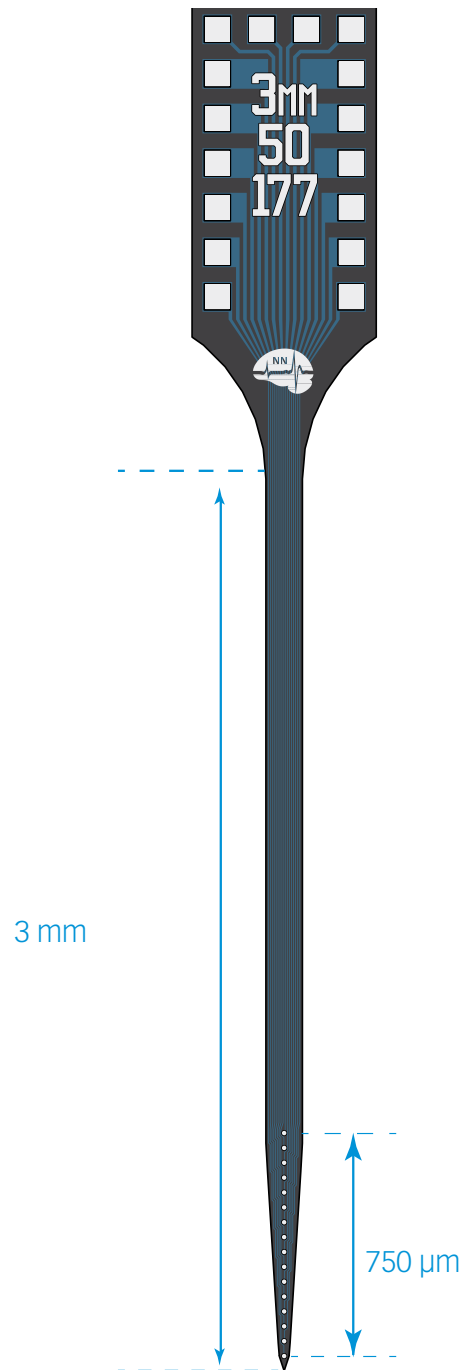
OPTOGENETICS
OA16LP
OCM16LP
OH16LP (required for oDrive)
OZ16LP

MR-COMPATIBLE
MR_CM16
MR_H16_21mm
MR_HC16_21mm

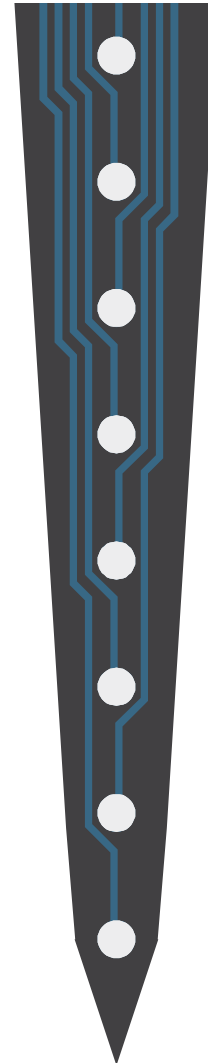
thickness

15 µm
50 µm

A1x16-3mm-50-177



TIP DETAIL



available packages

ACUTE
A16

CHRONIC
CM16LP
H16_21mm
HC16_21mm
HZ16_21mm
Z16

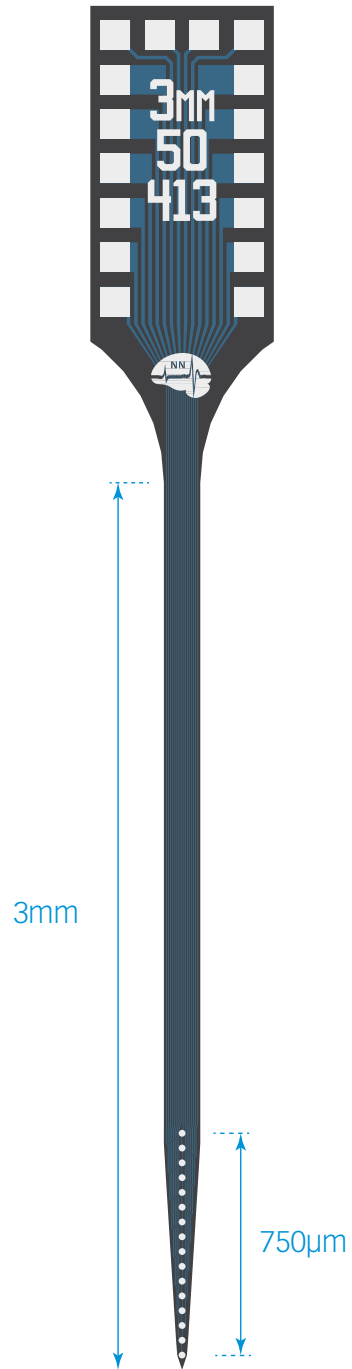
OPTOGENETICS
OA16LP
OCM16LP
OH16LP (required for oDrive)
OZ16LP

MR-COMPATIBLE
MR_CM16
MR_H16_21mm
MR_HC16_21mm

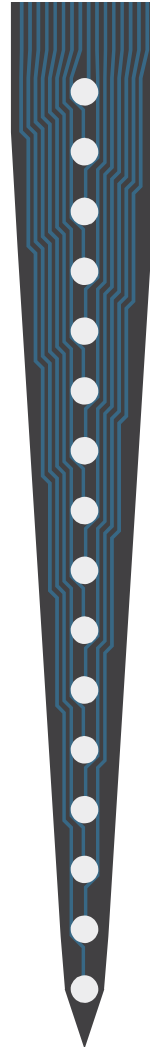
thickness

15 μm
50 μm

A1x16-3mm-50-413



TIP DETAIL



available packages

ACUTE
A16

CHRONIC
CM16LP
H16_21mm
HC16_21mm
HZ16_21mm
Z16

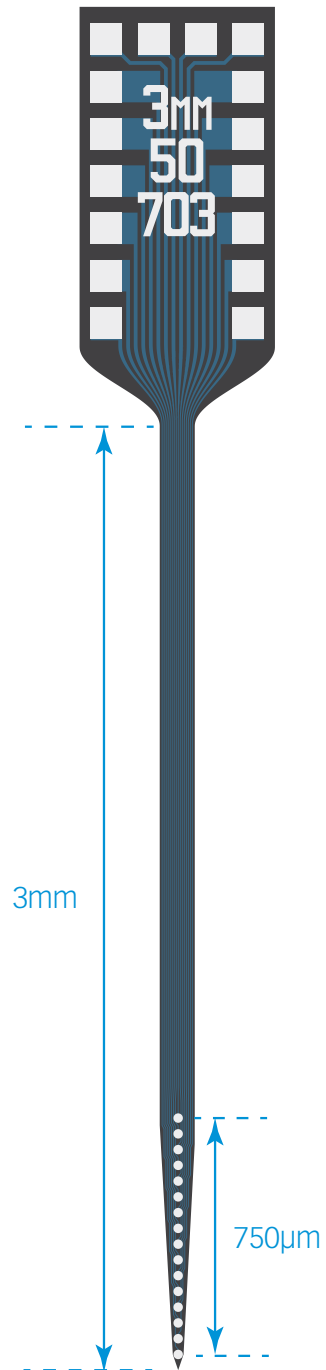
OPTOGENETICS
OA16LP
OCM16LP
OH16LP (required for oDrive)
OZ16LP

MR-COMPATIBLE
MR_CM16
MR_H16_21mm
MR_HC16_21mm

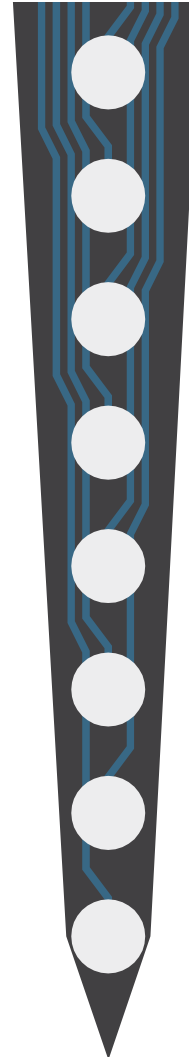
thickness

15 µm
50 µm

A1x16-3mm-50-703



TIP DETAIL



available packages

ACUTE
A16

CHRONIC
CM16LP
H16_21mm
HC16_21mm
HZ16_21mm
Z16

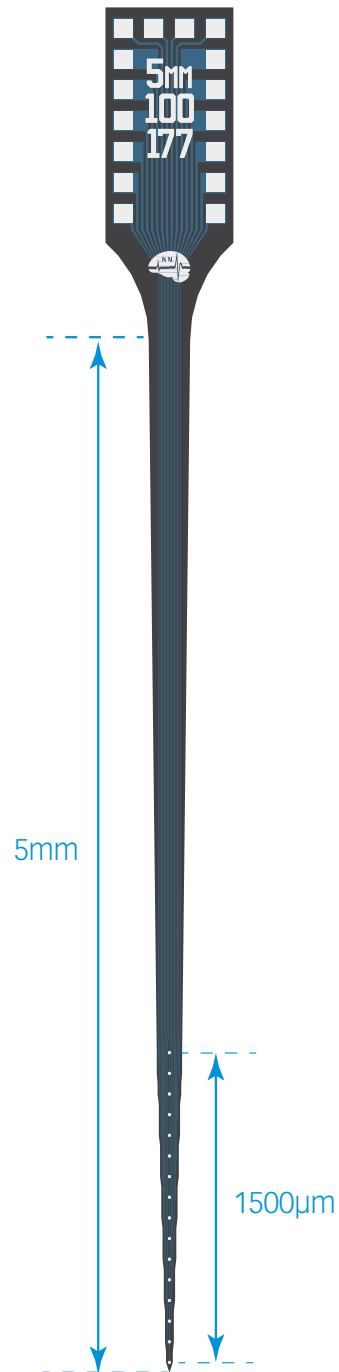
OPTOGENETICS
OA16LP
OCM16LP
OH16LP (required for oDrive)
OZ16LP

MR-COMPATIBLE
MR_CM16
MR_H16_21mm
MR_HC16_21mm

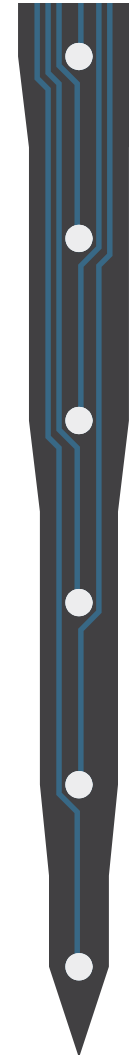
thickness

15 µm
50 µm

A1x16-5mm-100-177



TIP DETAIL



available packages

ACUTE

A16

CHRONIC

CM16LP
H16_21mm
HC16_21mm
HZ16_21mm
Z16

OPTOGENETICS

OA16LP
OCM16LP
OH16LP (required for
oDrive)
OZ16LP

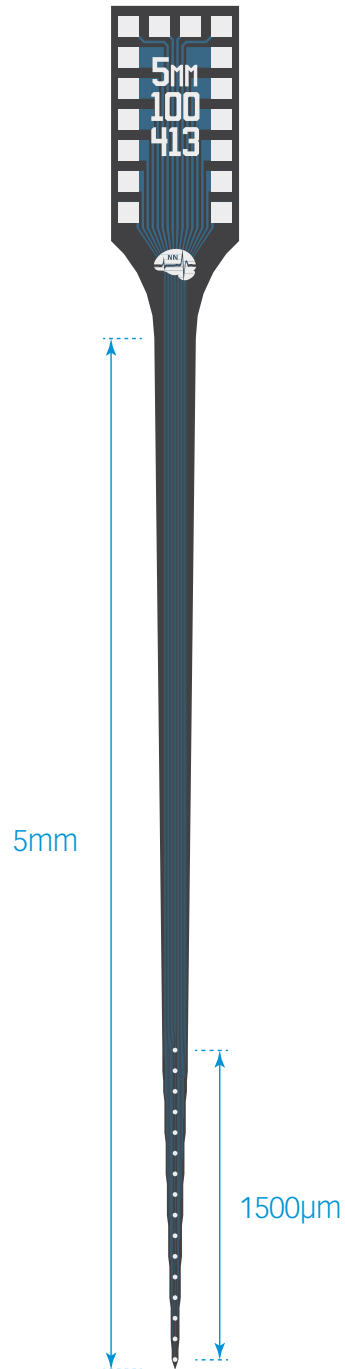
MR-COMPATIBLE

MR_CM16
MR_H16_21mm
MR_HC16_21mm

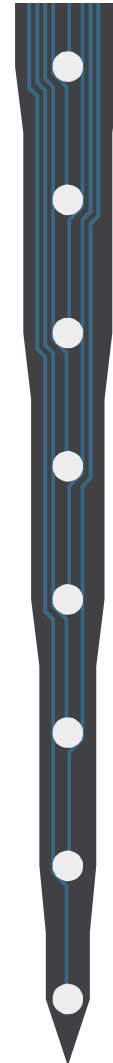
thickness

15 µm
50 µm

A1x16-5mm-100-413



TIP DETAIL



available packages

ACUTE
A16

CHRONIC
CM16LP
H16_21mm
HC16_21mm
HZ16_21mm
Z16

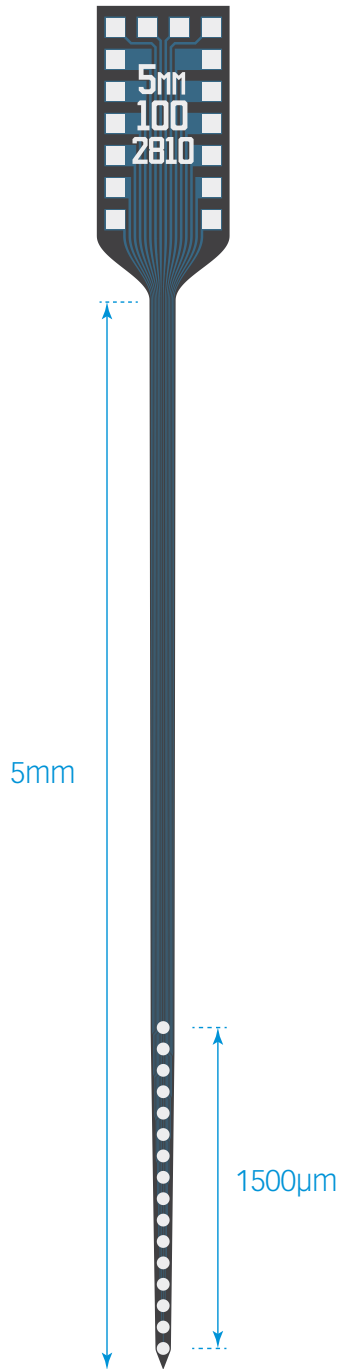
OPTOGENETICS
OA16LP
OCM16LP
OH16LP (required for oDrive)
OZ16LP

MR-COMPATIBLE
MR_CM16
MR_H16_21mm
MR_HC16_21mm

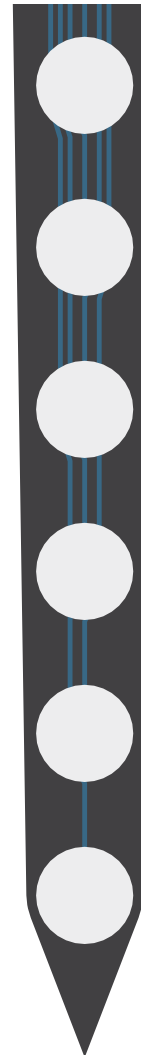
thickness

15 µm
50 µm

A1x16-5mm-100-60/72 (2810)



TIP DETAIL



available packages

ACUTE
A16

CHRONIC
CM16LP
H16_21mm
HC16_21mm
HZ16_21mm
Z16

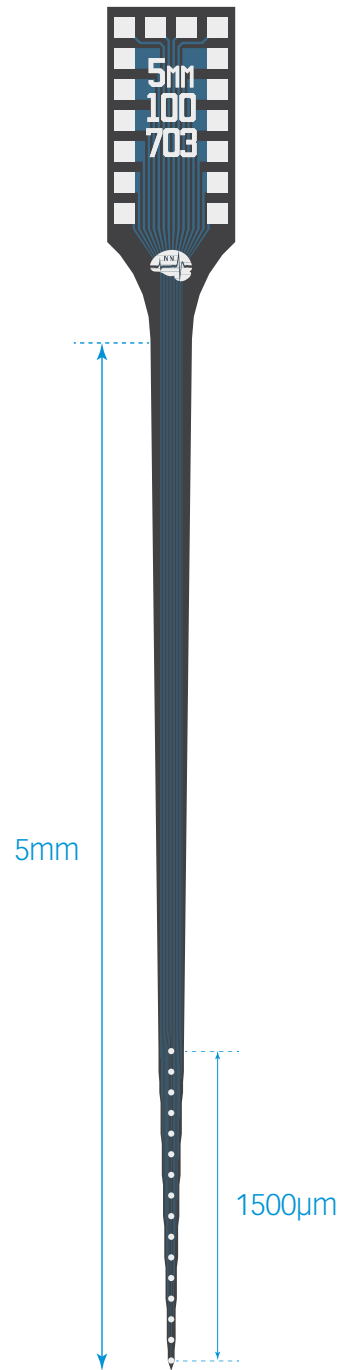
OPTOGENETICS
OA16LP
OCM16LP
OH16LP (required for
oDrive)
OZ16LP

MR-COMPATIBLE
MR_CM16
MR_H16_21mm
MR_HC16_21mm

thickness

50 µm

A1x16-5mm-100-703



TIP DETAIL



available packages

ACUTE
A16

CHRONIC
CM16LP
H16_21mm
HC16_21mm
HZ16_21mm
Z16

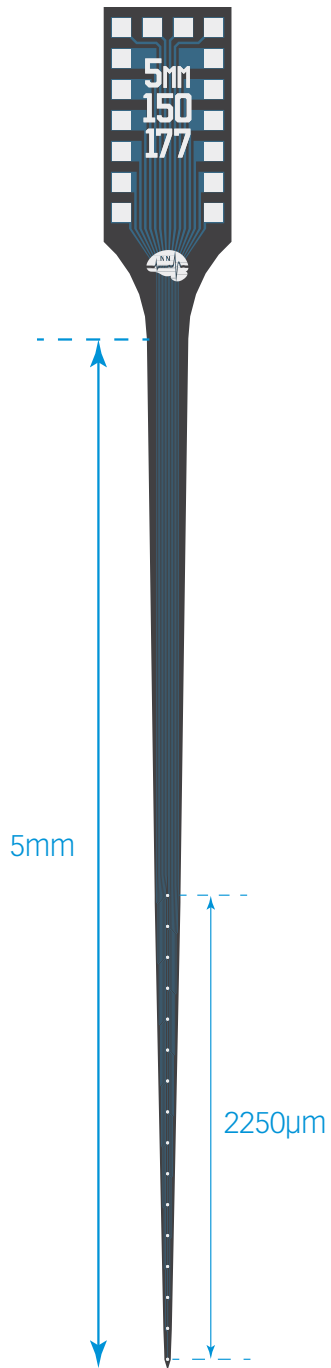
OPTOGENETICS
OA16LP
OCM16LP
OH16LP (required for oDrive)
OZ16LP

MR-COMPATIBLE
MR_CM16
MR_H16_21mm
MR_HC16_21mm

thickness

15 µm
50 µm

A1x16-5mm-150-177



TIP DETAIL



available packages

ACUTE
A16

CHRONIC
CM16LP
H16_21mm
HC16_21mm
HZ16_21mm
Z16

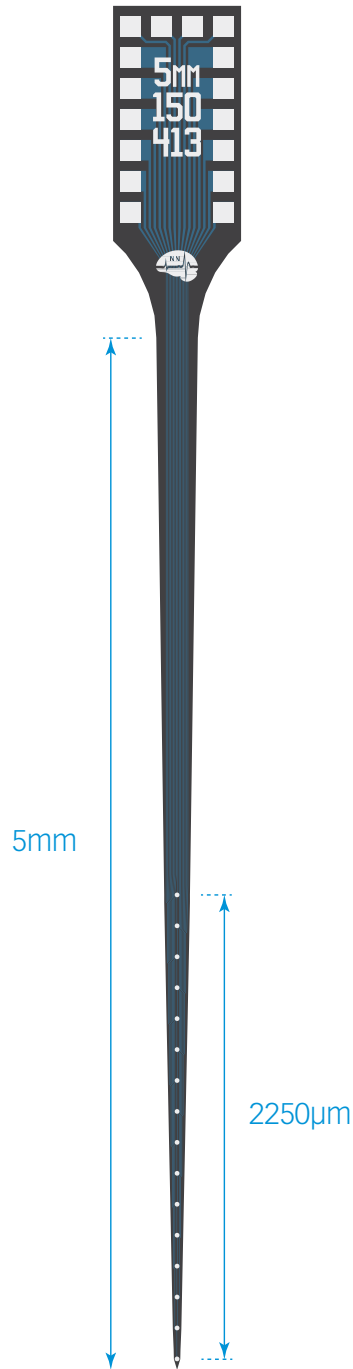
OPTOGENETICS
OA16LP
OCM16LP
OH16LP (required for oDrive)
OZ16LP

MR-COMPATIBLE
MR_CM16
MR_H16_21mm
MR_HC16_21mm

thickness

15 µm
50 µm

A1x16-5mm-150-413



TIP DETAIL



available packages

ACUTE
A16

CHRONIC
CM16LP
H16_21mm
HC16_21mm
HZ16_21mm
Z16

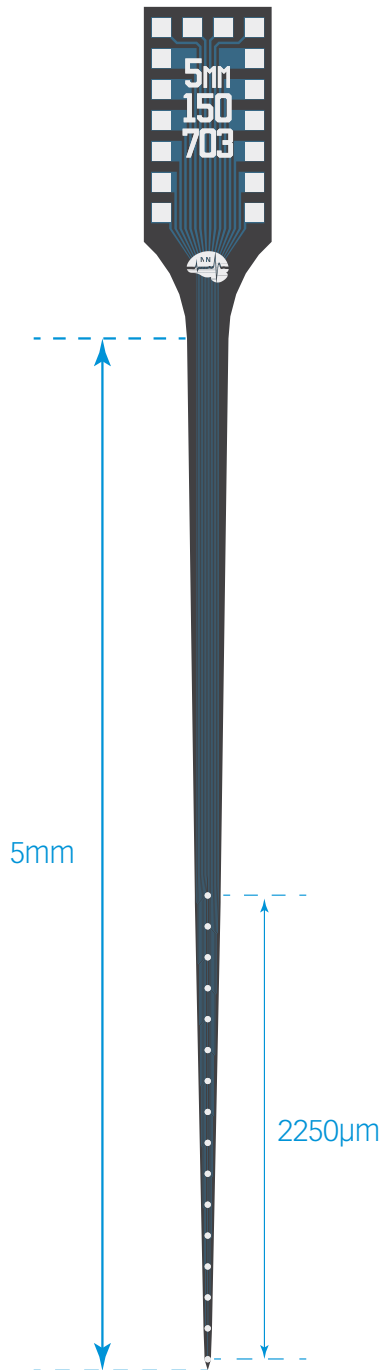
OPTOGENETICS
OA16LP
OCM16LP
OH16LP (required for oDrive)
OZ16LP

MR-COMPATIBLE
MR_CM16
MR_H16_21mm
MR_HC16_21mm

thickness

15 µm
50 µm

A1X16-5mm-150-703



TIP DETAIL



available packages

ACUTE
A16

CHRONIC
CM16LP
H16_21mm
HC16_21mm
HZ16_21mm
Z16

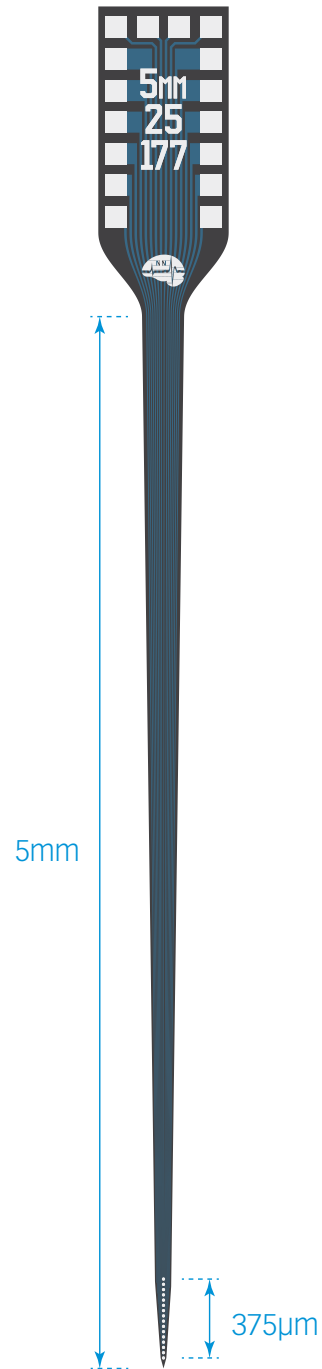
OPTOGENETICS
OA16LP
OCM16LP
OH16LP (required for oDrive)
OZ16LP

MR-COMPATIBLE
MR_CM16
MR_H16_21mm
MR_HC16_21mm

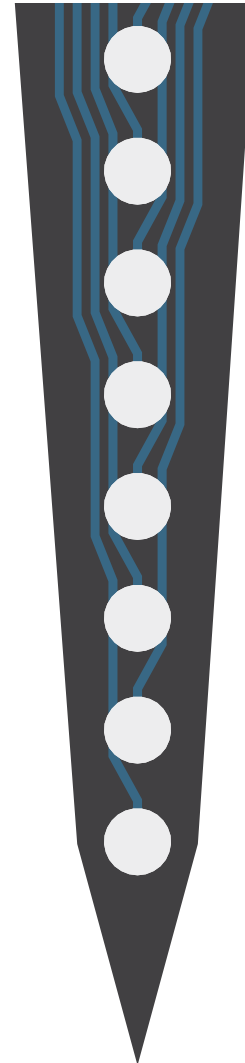
thickness

15 µm
50 µm

A1x16-5mm-25-177



TIP DETAIL



available packages

ACUTE

A16

CHRONIC

CM16LP
H16_21mm
HC16_21mm
HZ16_21mm
Z16

OPTOGENETICS

OA16LP
OCM16LP
OH16LP (required for
oDrive)
OZ16LP

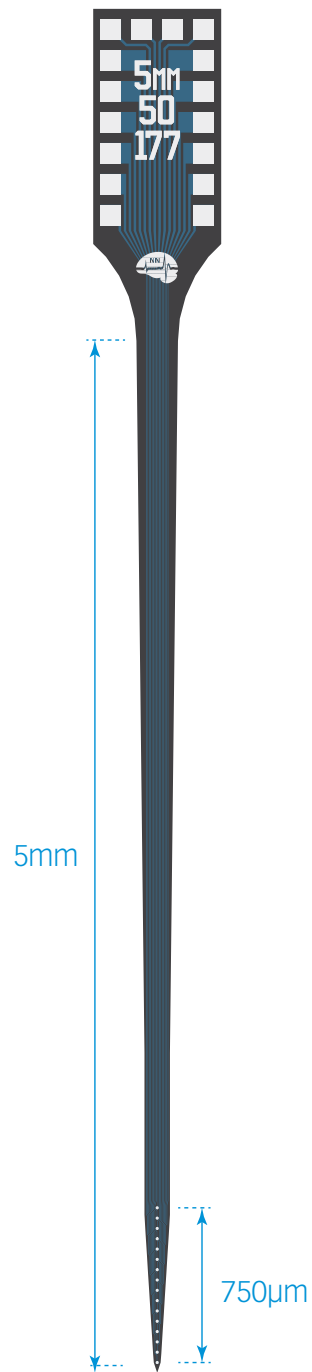
MR-COMPATIBLE

MR_CM16
MR_H16_21mm
MR_HC16_21mm

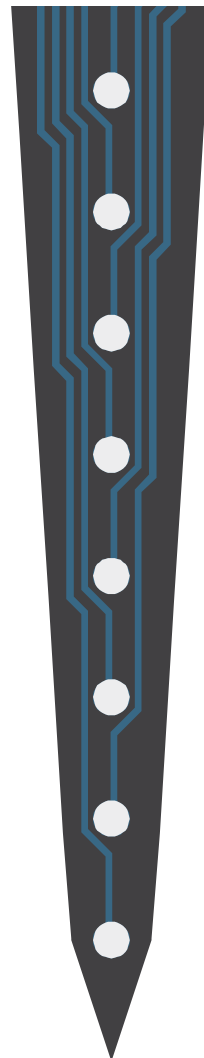
thickness

15 µm
50 µm

A1x16-5mm-50-177



TIP DETAIL



available packages

ACUTE
A16

CHRONIC
CM16LP
H16_21mm
HC16_21mm
HZ16_21mm
Z16

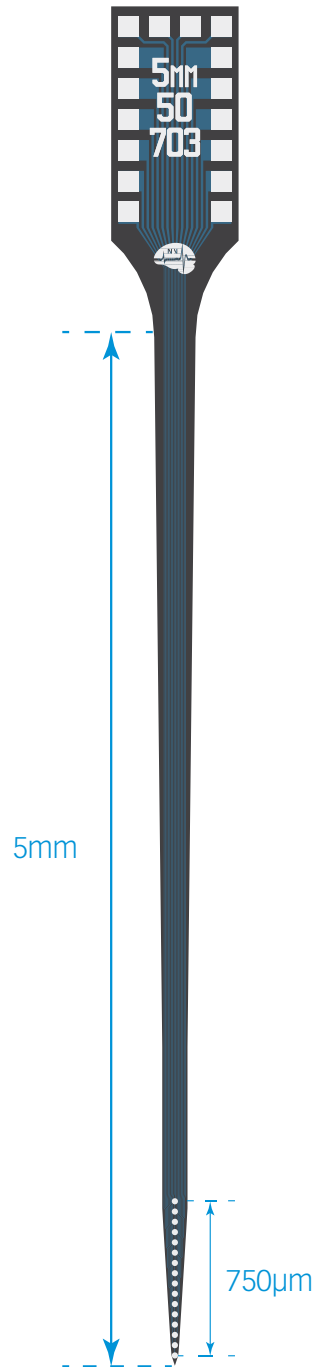
OPTOGENETICS
OA16LP
OCM16LP
OH16LP (required for oDrive)
OZ16LP

MR-COMPATIBLE
MR_CM16
MR_H16_21mm
MR_HC16_21mm

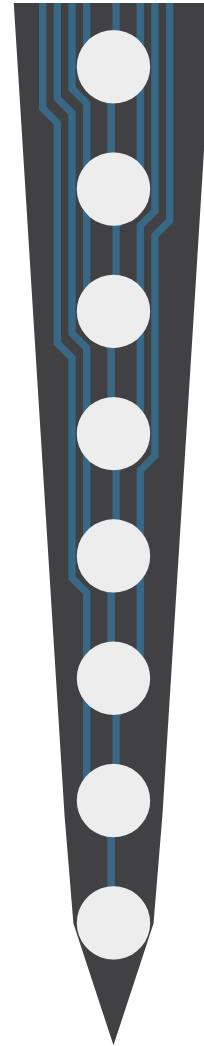
thickness

15 µm
50 µm

A1x16-5mm-50-703



TIP DETAIL



available packages

ACUTE
A16

CHRONIC
CM16LP
H16_21mm
HC16_21mm
HZ16_21mm
Z16

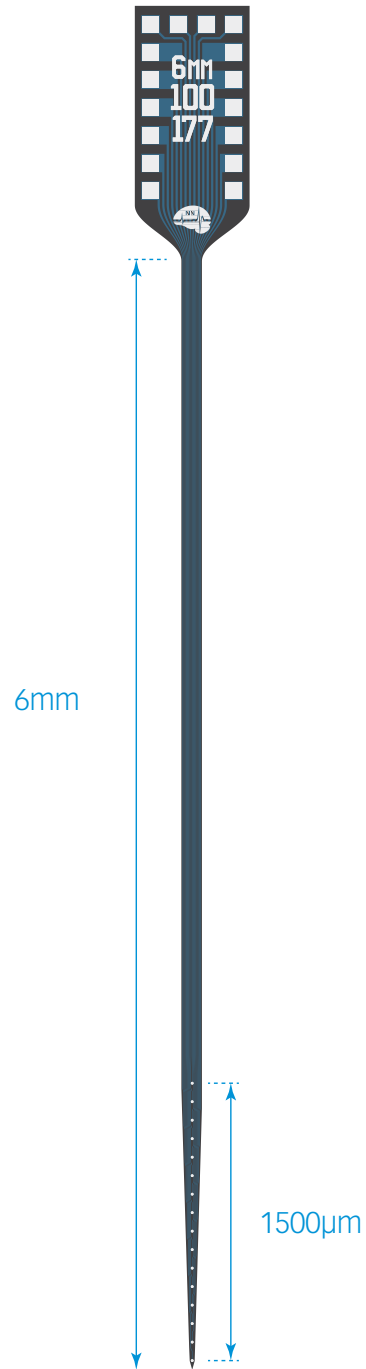
OPTOGENETICS
OA16LP
OCM16LP
OH16LP (required for oDrive)
OZ16LP

MR-COMPATIBLE
MR_CM16
MR_H16_21mm
MR_HC16_21mm

thickness

15 µm
50 µm

A1x16-6mm-100-177



TIP DETAIL



available packages

ACUTE
A16

CHRONIC
CM16LP
H16_21mm
HC16_21mm
HZ16_21mm
Z16

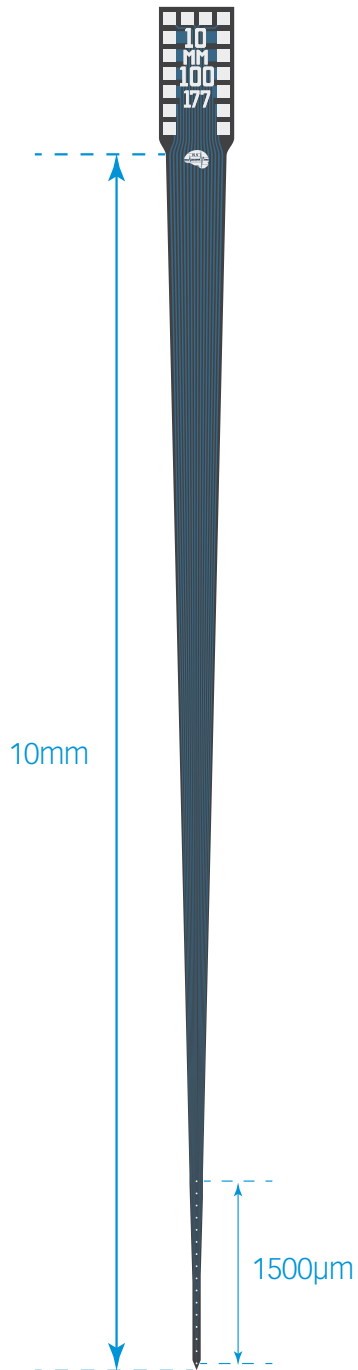
OPTOGENETICS
OA16LP
OCM16LP
OH16LP (required for
oDrive)
OZ16LP

MR-COMPATIBLE
MR_CM16
MR_H16_21mm
MR_HC16_21mm

thickness

15 µm

A1x16-10mm-100-177



TIP DETAIL



available packages

ACUTE

A16

CHRONIC

CM16LP
H16_21mm
HC16_21mm
HZ16_21mm
Z16

OPTOGENETICS

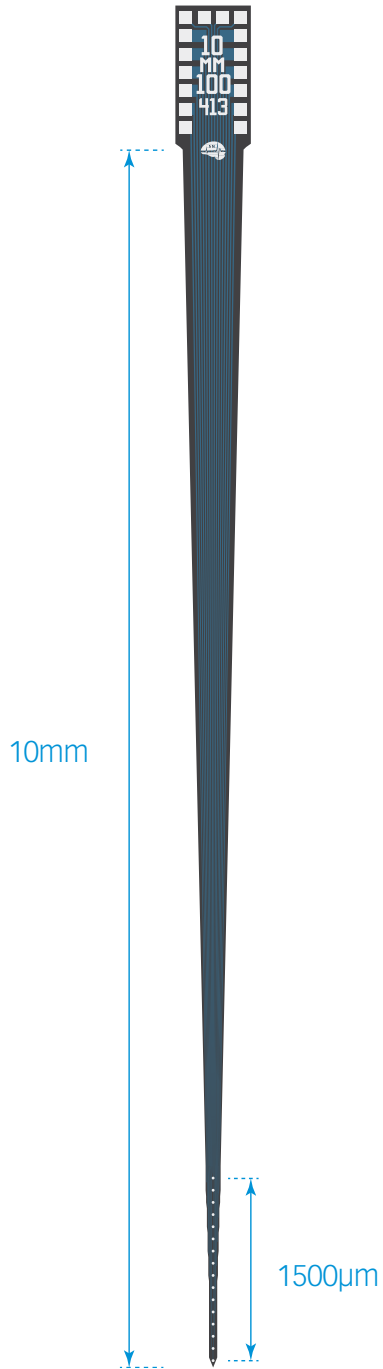
OA16LP
OCM16LP
OH16LP (required for oDrive)
OZ16LP

MR-COMPATIBLE

MR_CM16
MR_H16_21mm
MR_HC16_21mm

thickness

15 µm
50 µm



TIP DETAIL



A1x16-10mm-100-413

available packages

ACUTE
A16

CHRONIC
CM16LP
H16_21mm
HC16_21mm
HZ16_21mm
Z16

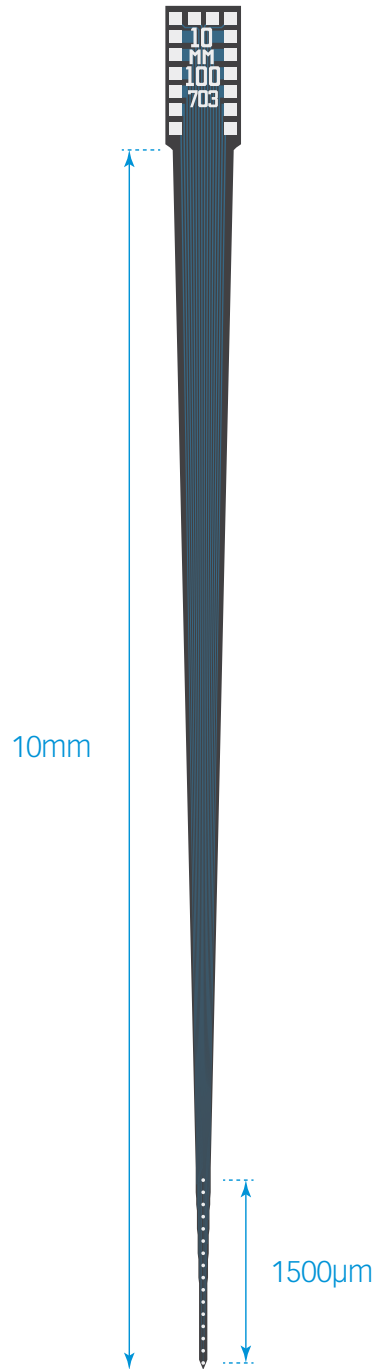
OPTOGENETICS
OA16LP
OCM16LP
OH16LP (required for oDrive)
OZ16LP

MR-COMPATIBLE
MR_CM16
MR_H16_21mm
MR_HC16_21mm

thickness

50 µm

A1x16-10mm-100-703



TIP DETAIL



available packages

ACUTE
A16

CHRONIC
CM16LP
H16_21mm
HC16_21mm
HZ16_21mm
Z16

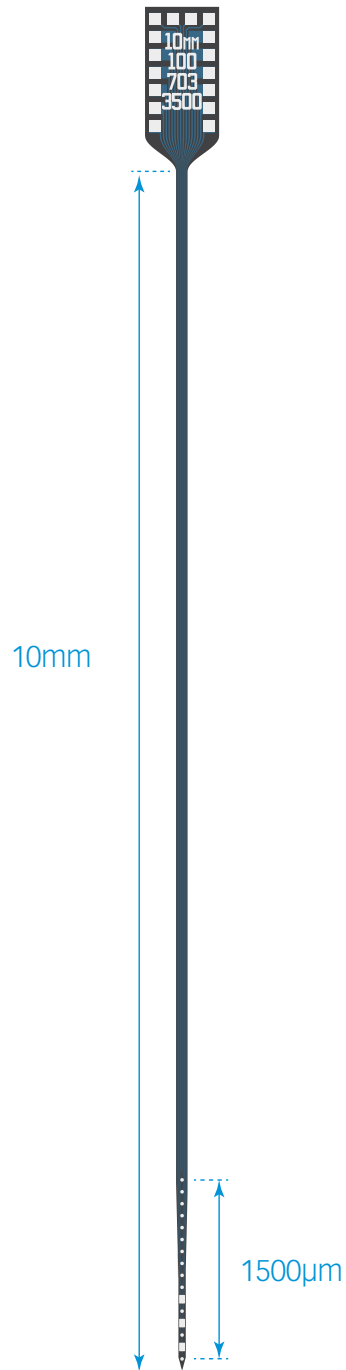
OPTOGENETICS
OA16LP
OCM16LP
OH16LP (required for
oDrive)
OZ16LP

MR-COMPATIBLE
MR_CM16
MR_H16_21mm
MR_HC16_21mm

thickness

15 µm

A1x16-10mm-100-703-3500



TIP DETAIL



available packages

ACUTE

A16

CHRONIC

CM16LP
H16_21mm
HC16_21mm
HZ16_21mm
Z16

OPTOGENETICS

OA16LP
OCM16LP
OH16LP (required for
oDrive)
OZ16LP

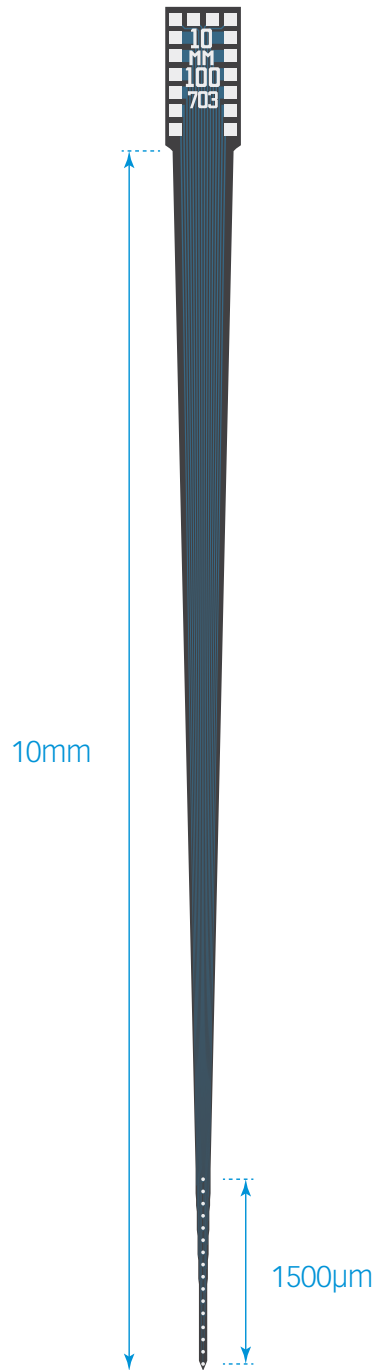
MR-COMPATIBLE

MR_CM16
MR_H16_21mm
MR_HC16_21mm

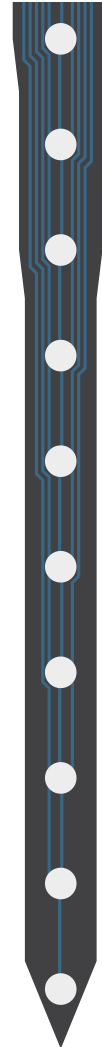
thickness

50 µm

A1X16-10mm-100-703-PT



TIP DETAIL



available packages

ACUTE
A16

CHRONIC
CM16LP
H16_21mm
HC16_21mm
HZ16_21mm
Z16

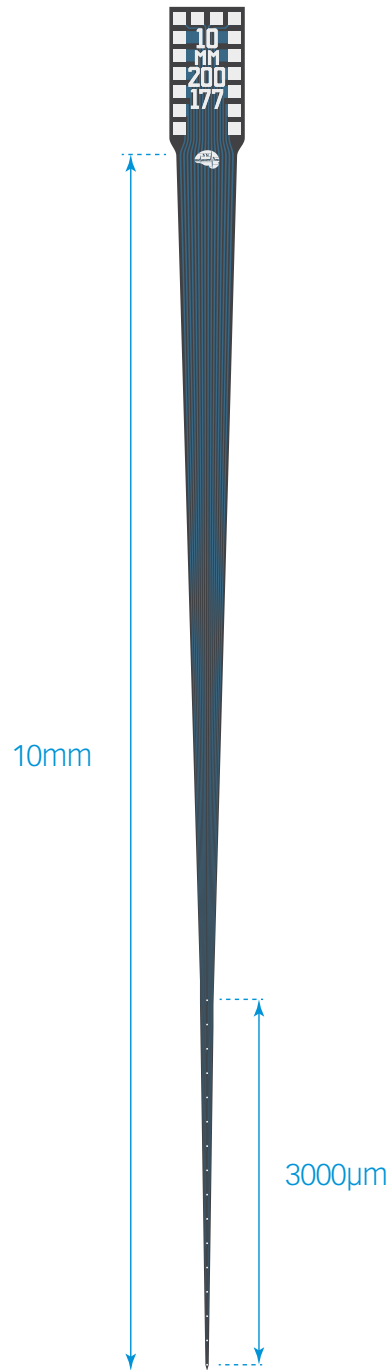
OPTOGENETICS
OA16LP
OCM16LP
OH16LP (required for oDrive)
OZ16LP

MR-COMPATIBLE
MR_CM16
MR_H16_21mm
MR_HC16_21mm

thickness

15 µm

A1x16-10mm-200-177



TIP DETAIL



available packages

ACUTE
A16

CHRONIC
CM16LP
H16_21mm
HC16_21mm
HZ16_21mm
Z16

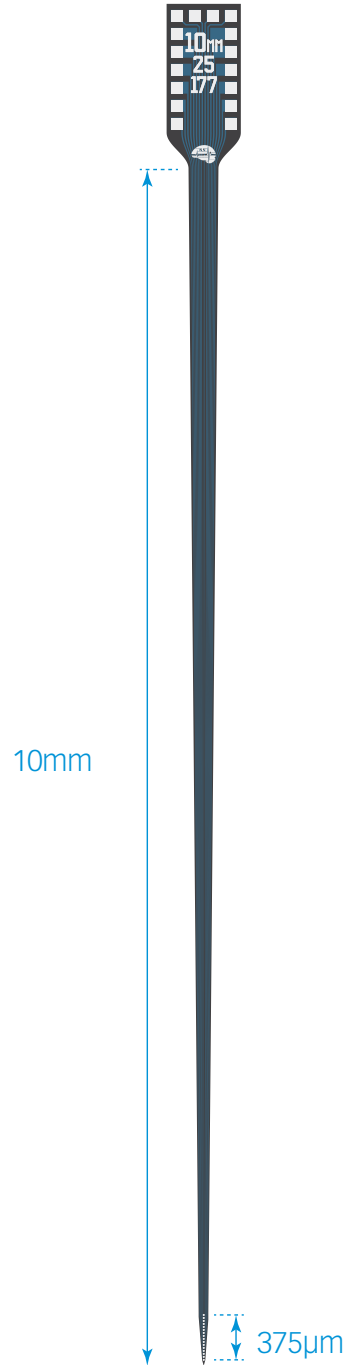
OPTOGENETICS
OA16LP
OCM16LP
OH16LP (required for oDrive)
OZ16LP

MR-COMPATIBLE
MR_CM16
MR_H16_21mm
MR_HC16_21mm

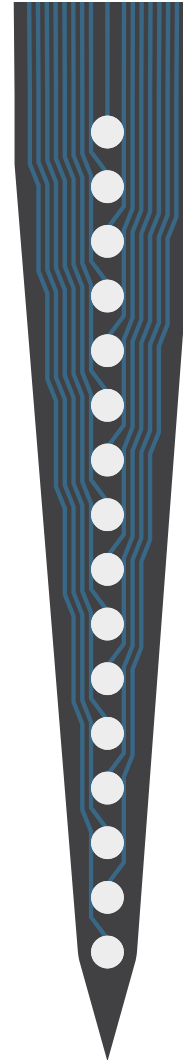
thickness

50 µm

A1x16-10mm-25-177



TIP DETAIL



available packages

ACUTE
A16

CHRONIC
CM16LP
H16_21mm
HC16_21mm
HZ16_21mm
Z16

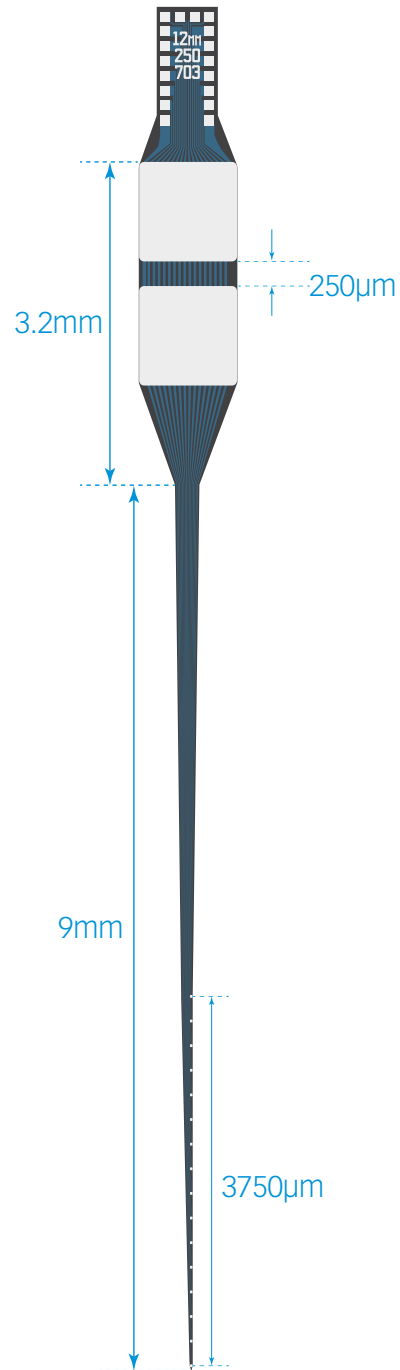
OPTOGENETICS
OA16LP
OCM16LP
OH16LP (required for oDrive)
OZ16LP

MR-COMPATIBLE
MR_CM16
MR_H16_21mm
MR_HC16_21mm

thickness

50 µm

A1X16-12mm-250-703-ref-gnd



TIP DETAIL



available packages

ACUTE
A16

CHRONIC
CM16LP
H16_21mm
HC16_21mm
HZ16_21mm
Z16

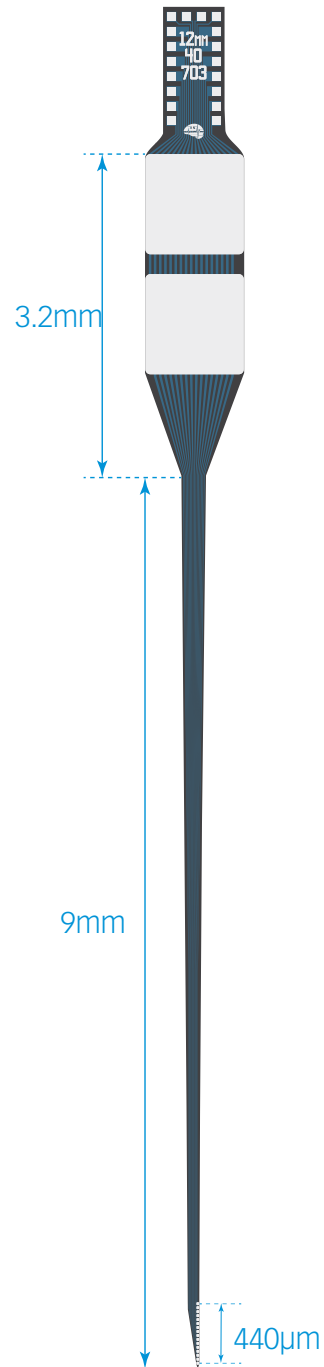
OPTOGENETICS
OA16LP
OCM16LP
OH16LP (required for oDrive)
OZ16LP

MR-COMPATIBLE
MR_CM16
MR_H16_21mm
MR_HC16_21mm

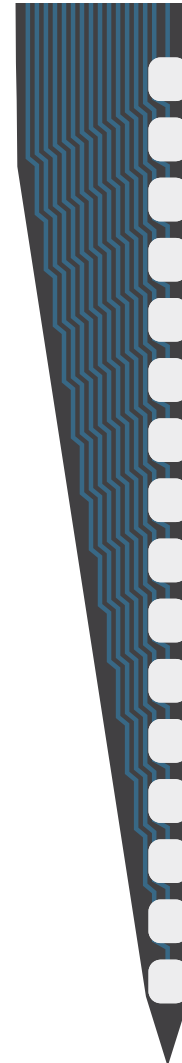
thickness

50 µm

A1x16-12mm-40-ref-gnd-703



TIP DETAIL



available
packages

ACUTE
A16

CHRONIC
CM16LP
H16_21mm
HC16_21mm
HZ16_21mm
Z16

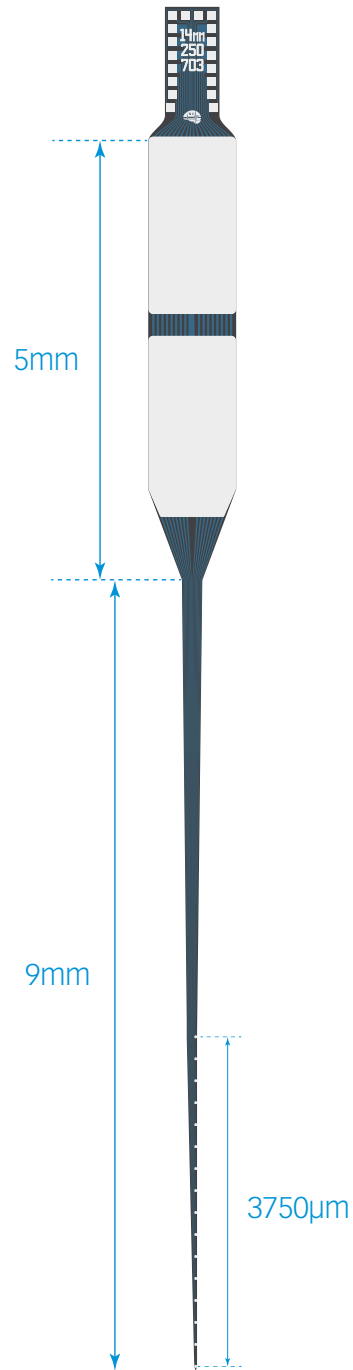
OPTOGENETICS
OA16LP
OCM16LP
OH16LP (required for
oDrive)
OZ16LP

MR-COMPATIBLE
MR_CM16
MR_H16_21mm
MR_HC16_21mm

thickness

50 µm

A1X16-14mm250-703-ref-gnd



TIP DETAIL



available packages

ACUTE
A16

CHRONIC
CM16LP
H16_21mm
HC16_21mm
HZ16_21mm
Z16

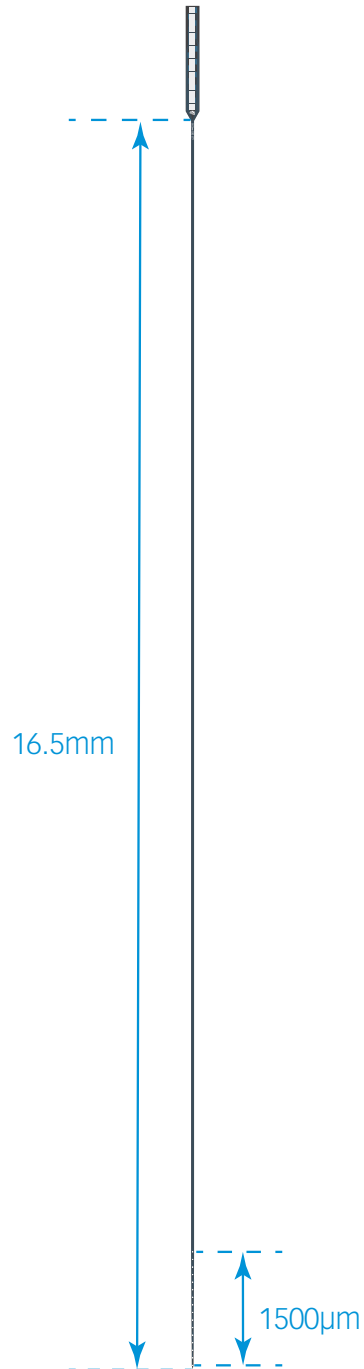
OPTOGENETICS
OA16LP
OCM16LP
OH16LP (required for oDrive)
OZ16LP

MR-COMPATIBLE
MR_CM16
MR_H16_21mm
MR_HC16_21mm

thickness

50 µm

A1x16-16.5mm-100-177



TIP DETAIL



available packages

ACUTE

A16

CHRONIC

CM16LP
H16_21mm
HC16_21mm
HZ16_21mm
Z16

OPTOGENETICS

OA16LP
OCM16LP
OH16LP (required for
oDrive)
OZ16LP

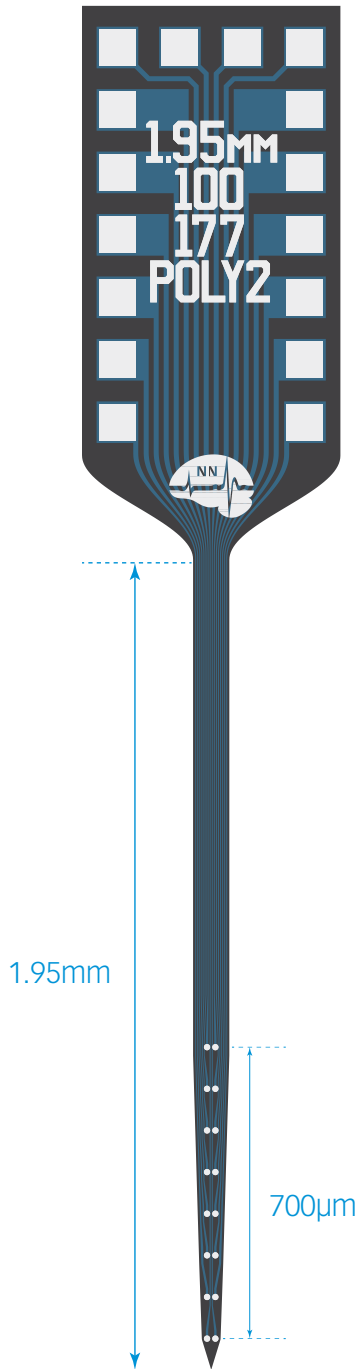
MR-COMPATIBLE

MR_CM16
MR_H16_21mm
MR_HC16_21mm

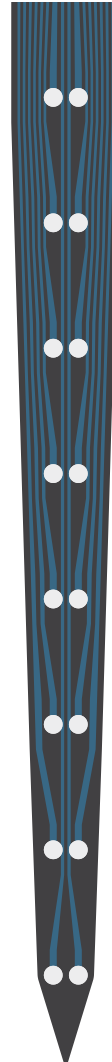
thickness

50 µm

A1x16-Poly2-1.95mm-100-177



TIP DETAIL



available packages

ACUTE
A16

CHRONIC
CM16LP
H16_21mm
HC16_21mm
HZ16_21mm
Z16

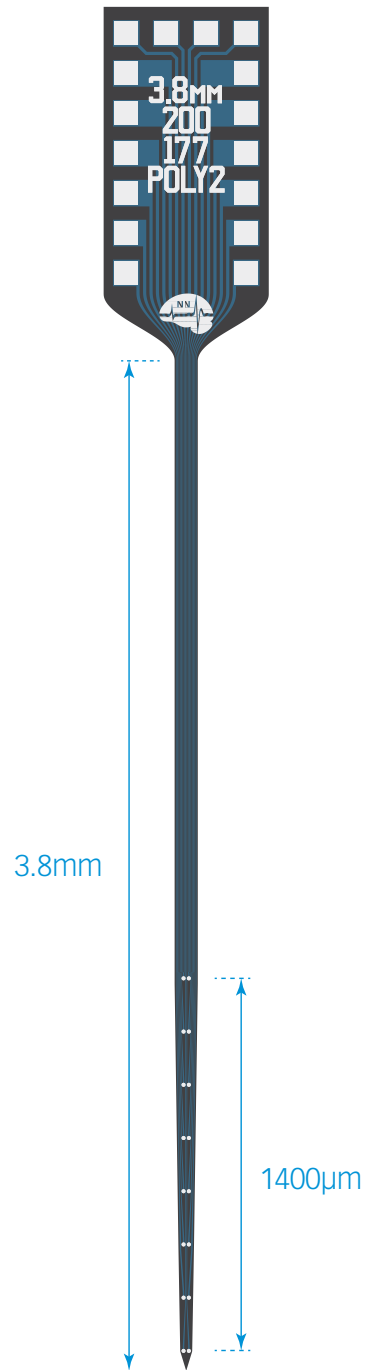
OPTOGENETICS
OA16LP
OCM16LP
OH16LP (required for oDrive)
OZ16LP

MR-COMPATIBLE
MR_CM16
MR_H16_21mm
MR_HC16_21mm

thickness

50 µm

A1x16-Poly2-3.8mm-200-177



TIP DETAIL



available packages

ACUTE

A16

CHRONIC

CM16LP
H16_21mm
HC16_21mm
HZ16_21mm
Z16

OPTOGENETICS

OA16LP
OCM16LP
OH16LP (required for
oDrive)
OZ16LP

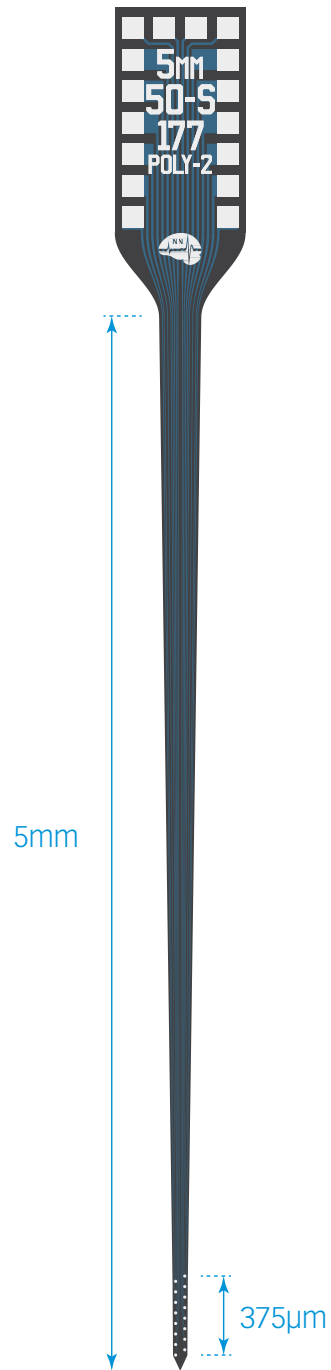
MR-COMPATIBLE

MR_CM16
MR_H16_21mm
MR_HC16_21mm

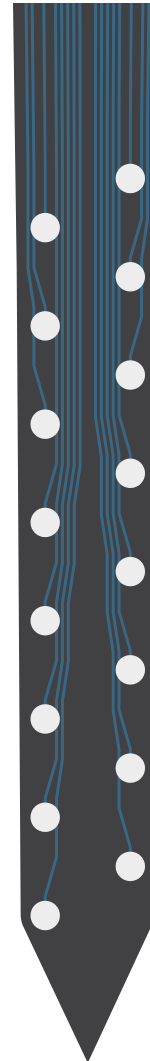
thickness

50 µm

A1X16-Poly2-5mm-50s-177



TIP DETAIL



available packages

ACUTE
A16

CHRONIC
CM16LP
H16_21mm
HC16_21mm
HZ16_21mm
Z16

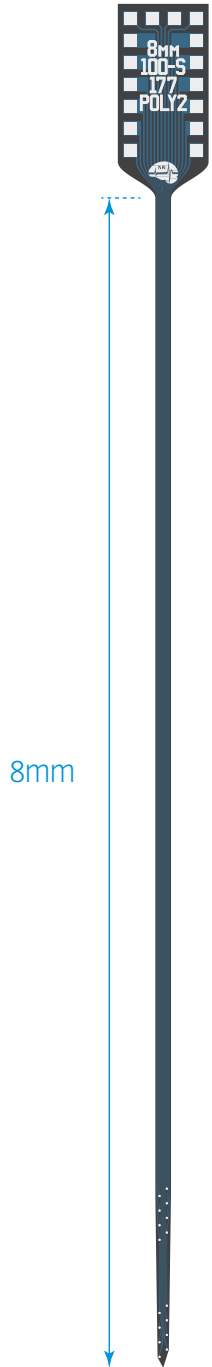
OPTOGENETICS
OA16LP
OCM16LP
OH16LP (required for oDrive)
OZ16LP

MR-COMPATIBLE
MR_CM16
MR_H16_21mm
MR_HC16_21mm

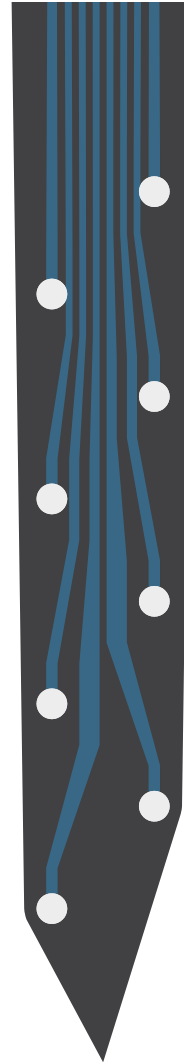
thickness

15 µm

A1X16-Poly2-8mm-100s-177



TIP DETAIL



available packages

ACUTE
A16

CHRONIC
CM16LP
H16_21mm
HC16_21mm
HZ16_21mm
Z16

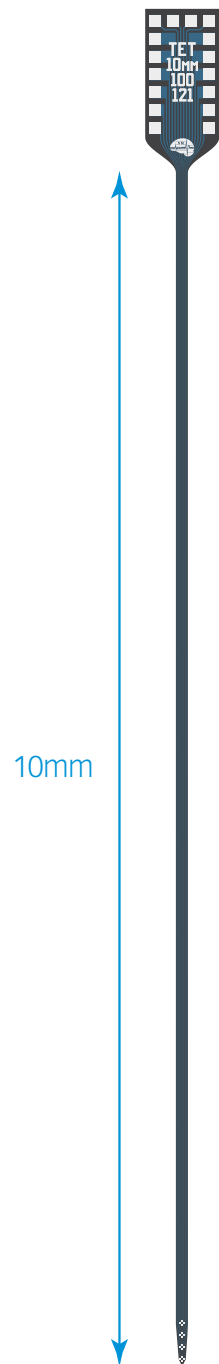
OPTOGENETICS
OA16LP
OCM16LP
OH16LP (required for oDrive)
OZ16LP

MR-COMPATIBLE
MR_CM16
MR_H16_21mm
MR_HC16_21mm

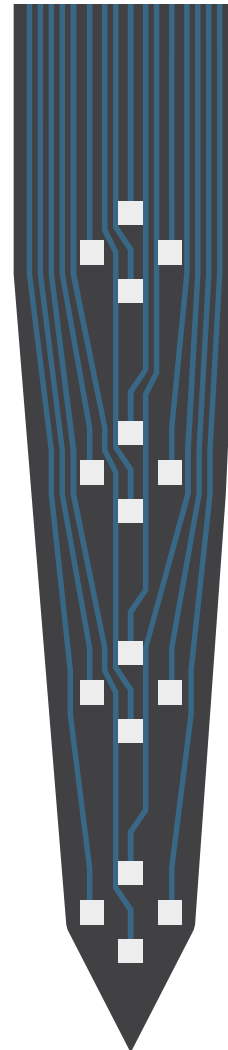
thickness

50 μm

A1x4-tet-10mm-100-121



TIP DETAIL



available packages

ACUTE

A16

CHRONIC

CM16LP
H16_21mm
HC16_21mm
HZ16_21mm
Z16

OPTOGENETICS

OA16LP
OCM16LP
OH16LP (required for oDrive)
OZ16LP

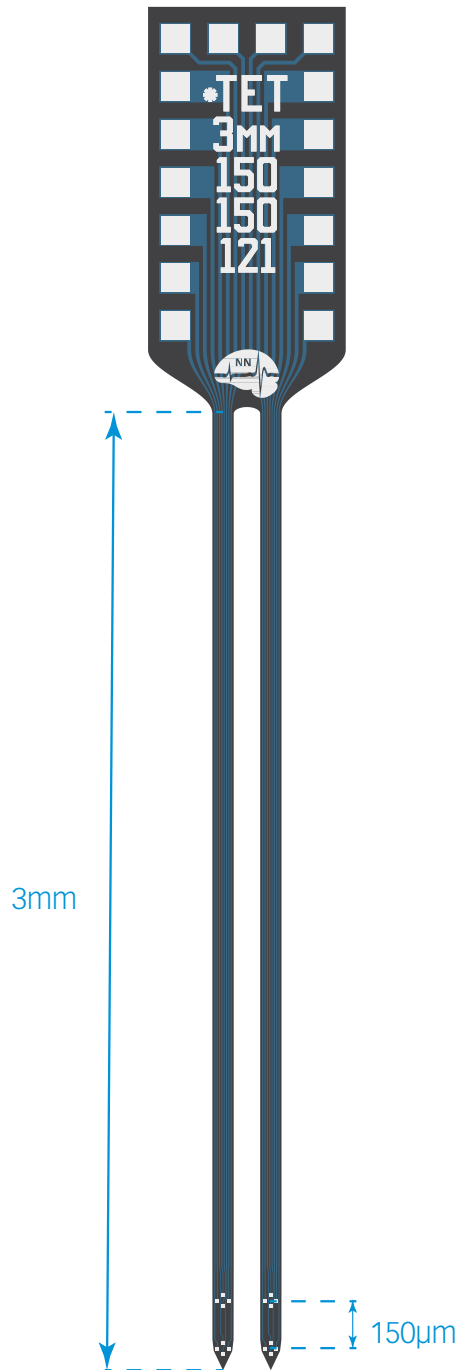
MR-COMPATIBLE

MR_CM16
MR_H16_21mm
MR_HC16_21mm

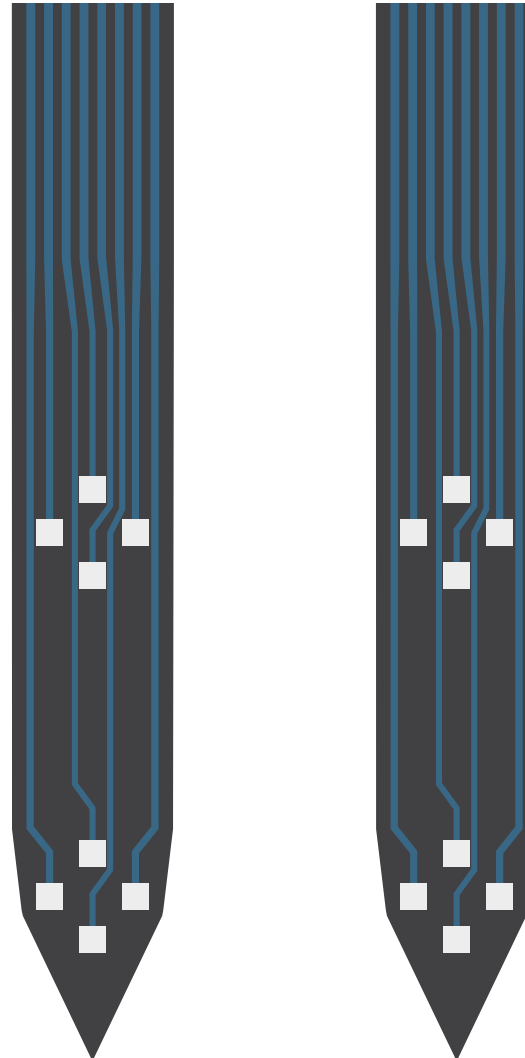
thickness

15 μm
50 μm

A2x2-tet-3mm-150-121



TIP DETAIL



available packages

ACUTE

A16

CHRONIC

CM16LP
H16_21mm
HC16_21mm
HZ16_21mm
Z16

OPTOGENETICS

OA16LP
OCM16LP
OH16LP (required for oDrive)
OZ16LP

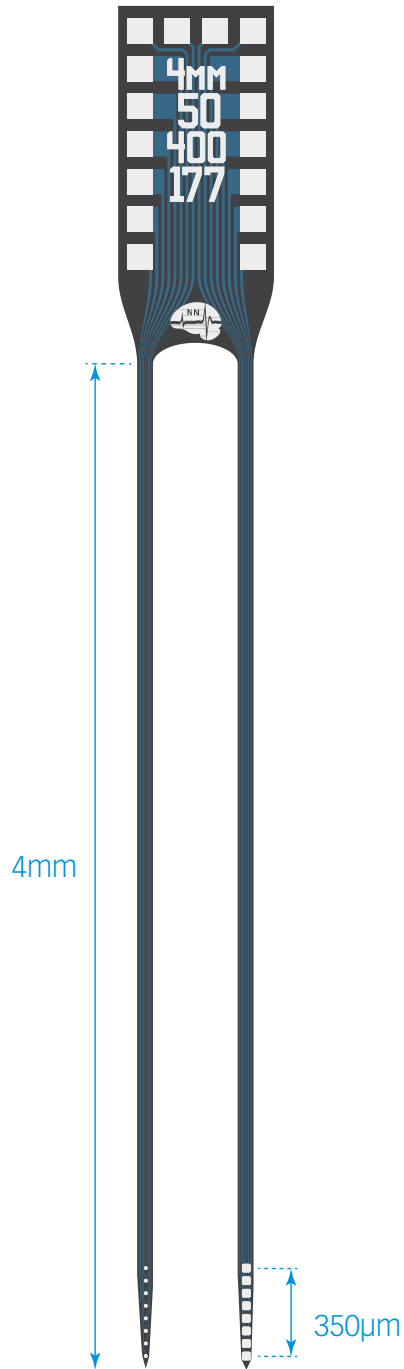
MR-COMPATIBLE

MR_CM16
MR_H16_21mm
MR_HC16_21mm

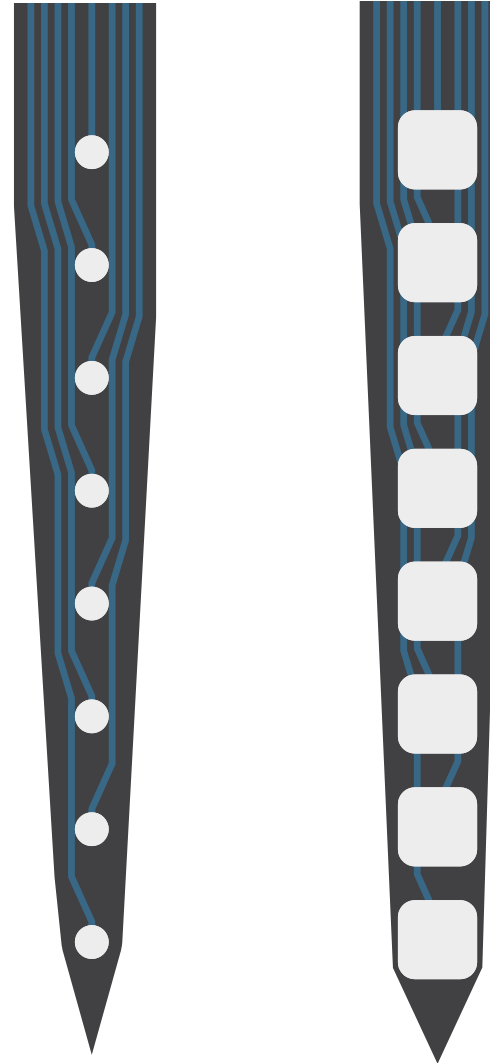
thickness

15 µm
50 µm

A2x8-4mm-50-400-177/1181



TIP DETAIL



available packages

ACUTE
A16

CHRONIC
CM16LP
H16_21mm
HC16_21mm
HZ16_21mm
Z16

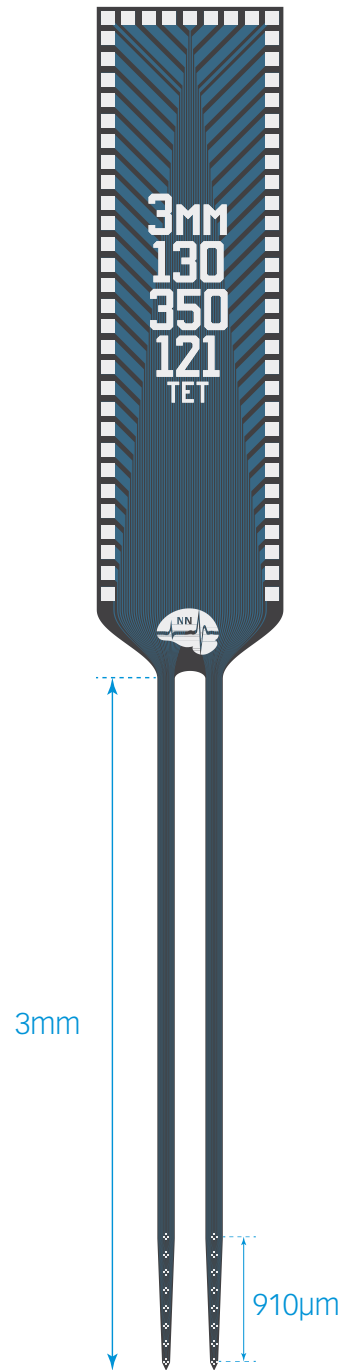
OPTOGENETICS
OA16LP
OCM16LP
OH16LP (required for oDrive)
OZ16LP

MR-COMPATIBLE
MR_CM16
MR_H16_21mm
MR_HC16_21mm

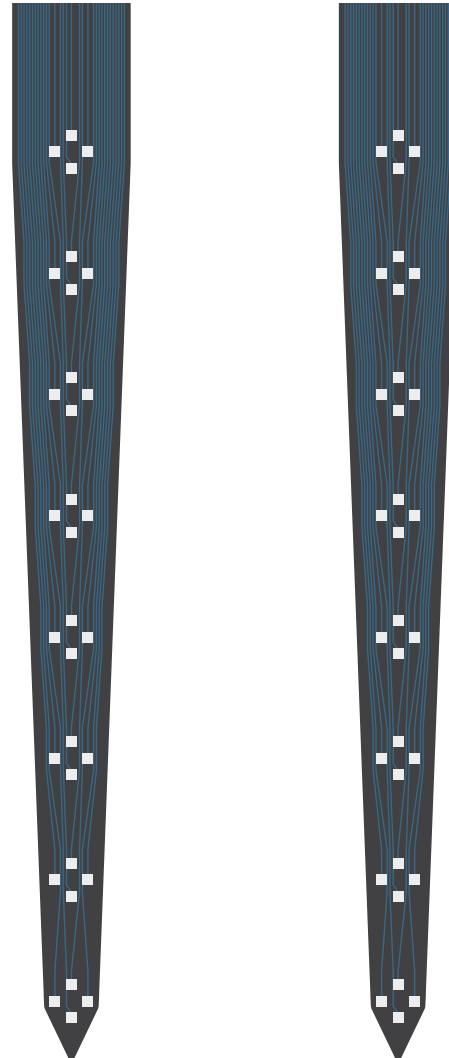
thickness

15 µm

A2x8-tet-5mm-130-350-121



TIP DETAIL



available packages

ACUTE
A16

CHRONIC
CM16LP
H16_21mm
HC16_21mm
HZ16_21mm
Z16

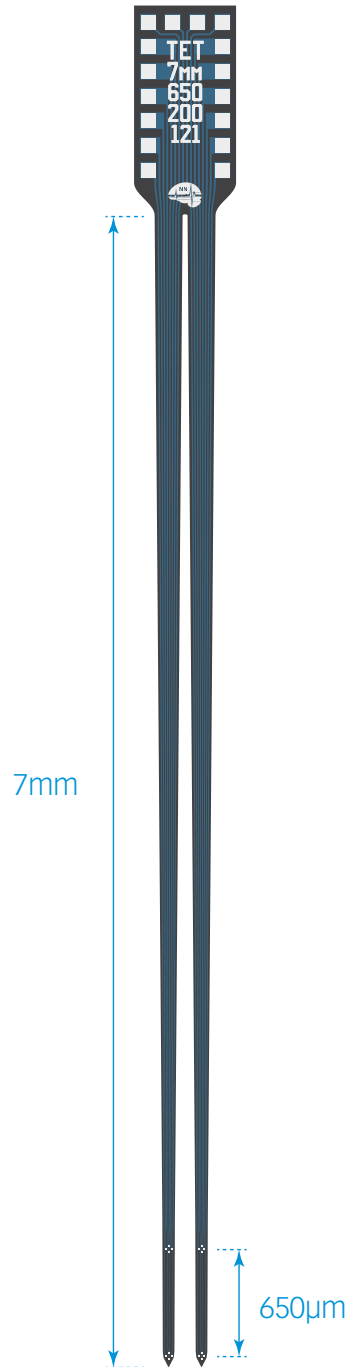
OPTOGENETICS
OA16LP
OCM16LP
OH16LP (required for oDrive)
OZ16LP

MR-COMPATIBLE
MR_CM16
MR_H16_21mm
MR_HC16_21mm

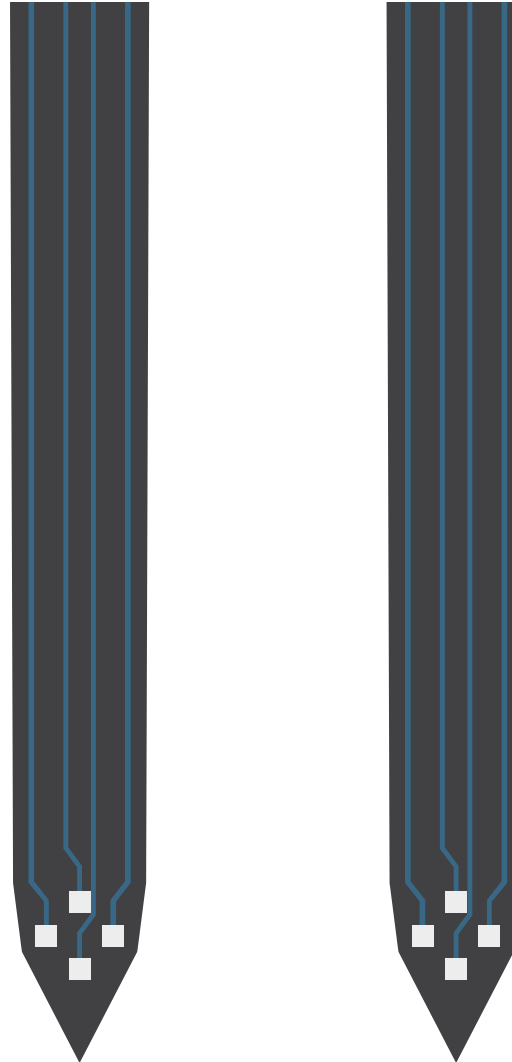
thickness

15 µm

A2x2-tet-7mm-650-200-121



TIP DETAIL



available packages

ACUTE
A16

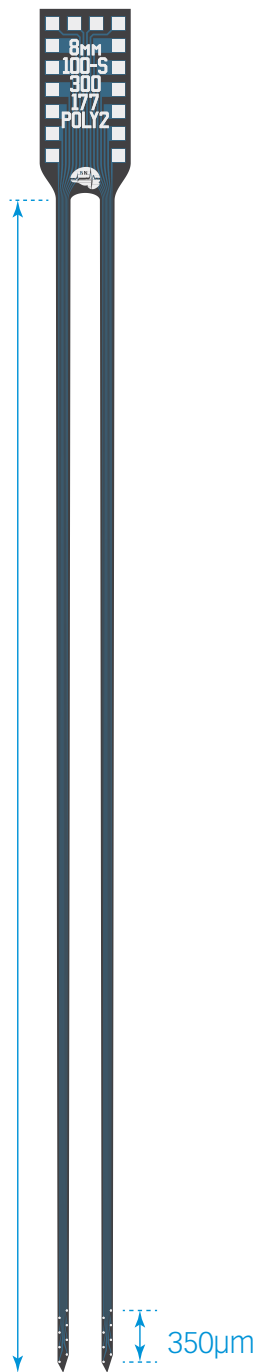
CHRONIC
CM16LP
H16_21mm
HC16_21mm
HZ16_21mm
Z16

OPTOGENETICS
OA16LP
OCM16LP
OH16LP (required for oDrive)
OZ16LP

MR-COMPATIBLE
MR_CM16
MR_H16_21mm
MR_HC16_21mm

thickness

15 µm



A2x8- Poly2-8mm-100s-300-177

TIP DETAIL



available packages

ACUTE
A16

CHRONIC
CM16LP
H16_21mm
HC16_21mm
HZ16_21mm
Z16

OPTOGENETICS
OA16LP
OCM16LP
OH16LP (required for oDrive)
OZ16LP

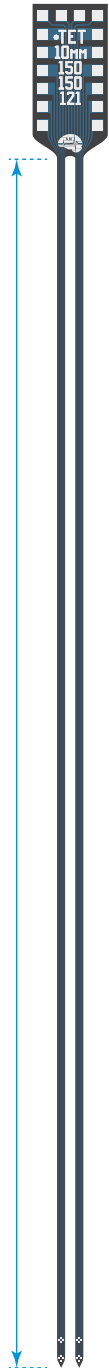
MR-COMPATIBLE
MR_CM16
MR_H16_21mm
MR_HC16_21mm

thickness

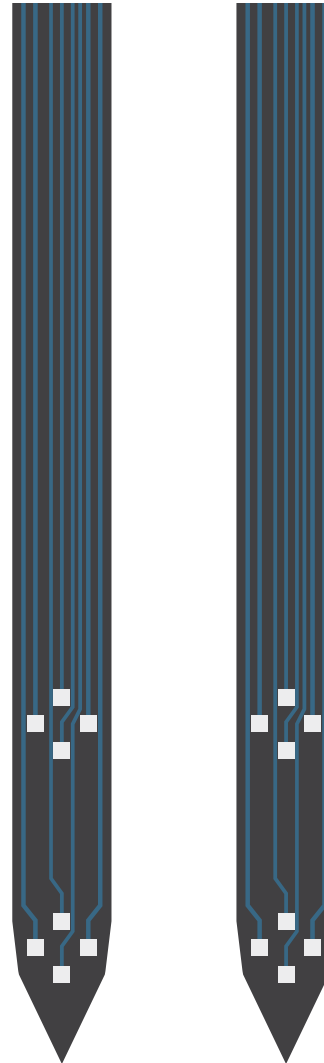
50 µm

A2x2-tet-10mm-150-150-121

10mm



TIP DETAIL



available packages

ACUTE

A16

CHRONIC

CM16LP
H16_21mm
HC16_21mm
HZ16_21mm
Z16

OPTOGENETICS

OA16LP
OCM16LP
OH16LP (required for
oDrive)
OZ16LP

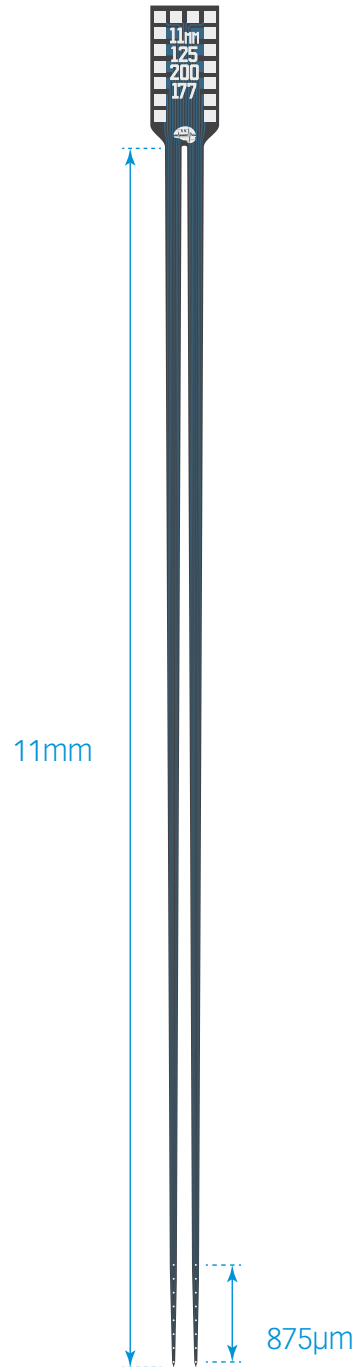
MR-COMPATIBLE

MR_CM16
MR_H16_21mm
MR_HC16_21mm

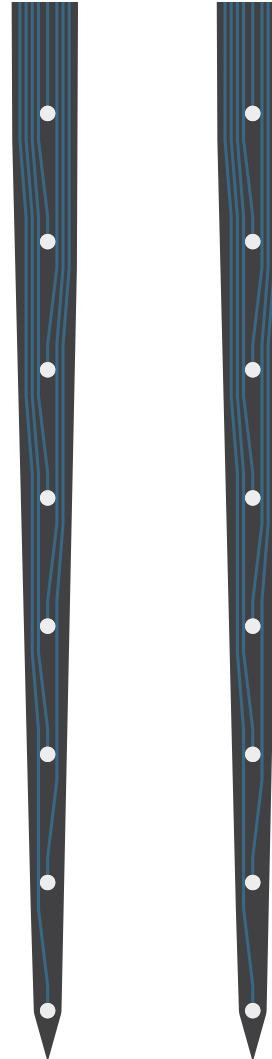
thickness

50 μ m

A2x8-11mm-125-200-177



TIP DETAIL



available packages

ACUTE
A16

CHRONIC
CM16LP
H16_21mm
HC16_21mm
HZ16_21mm
Z16

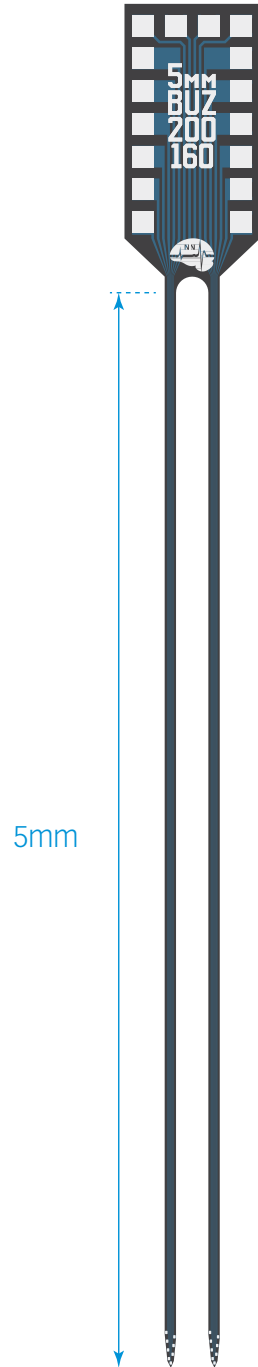
OPTOGENETICS
OA16LP
OCM16LP
OH16LP (required for oDrive)
OZ16LP

MR-COMPATIBLE
MR_CM16
MR_H16_21mm
MR_HC16_21mm

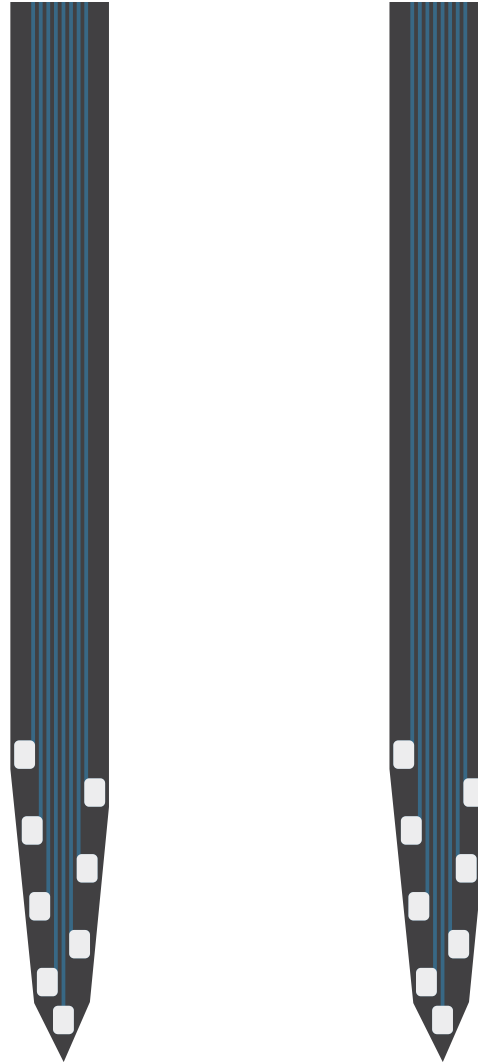
thickness

50 µm

Buzsaki-16



TIP DETAIL



available packages

ACUTE
A16

CHRONIC
CM16LP
H16_21mm
HC16_21mm
HZ16_21mm
Z16

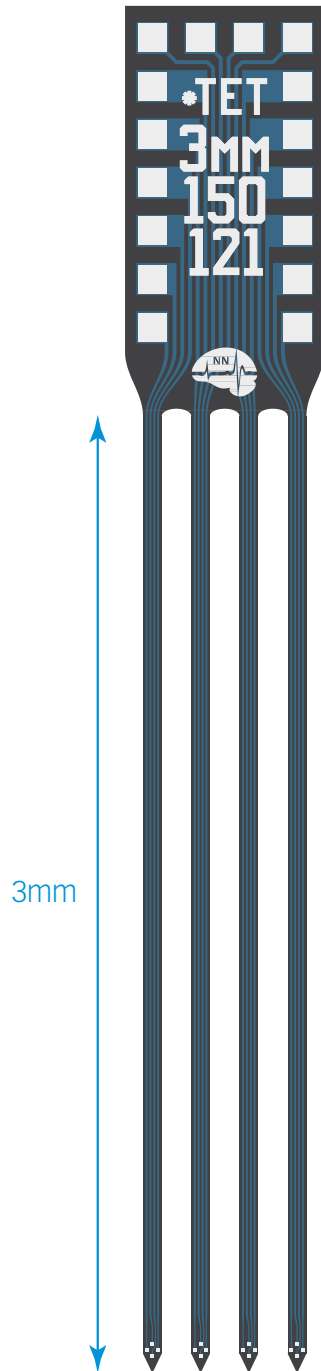
OPTOGENETICS
OA16LP
OCM16LP
OH16LP (required for oDrive)
OZ16LP

MR-COMPATIBLE
MR_CM16
MR_H16_21mm
MR_HC16_21mm

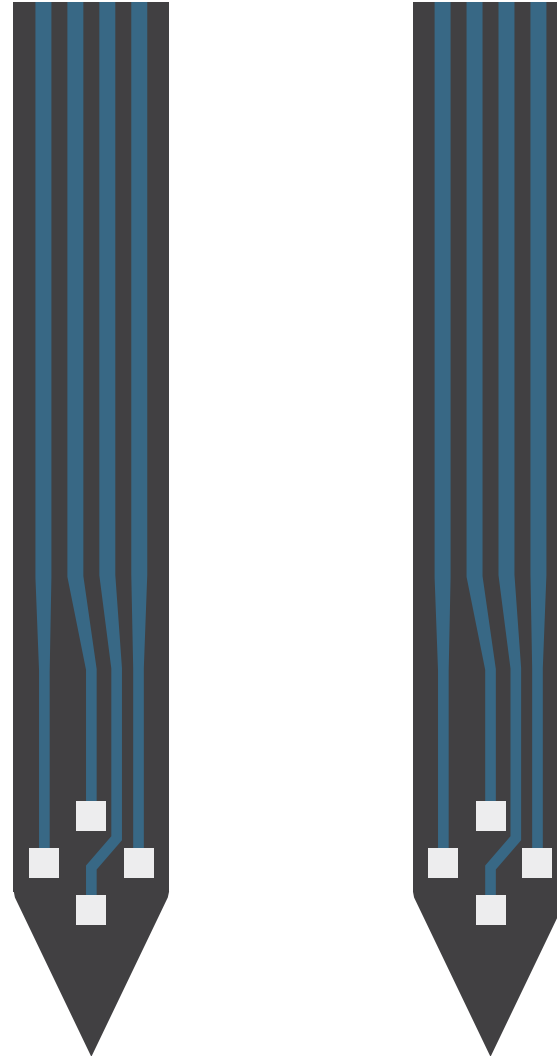
thickness

15 μ m

A4x1-tet-3mm-150-121



TIP DETAIL



available packages

ACUTE

A16

CHRONIC

CM16LP
H16_21mm
HC16_21mm
HZ16_21mm
Z16

OPTOGENETICS

OA16LP
OCM16LP
OH16LP (required for
oDrive)
OZ16LP

MR-COMPATIBLE

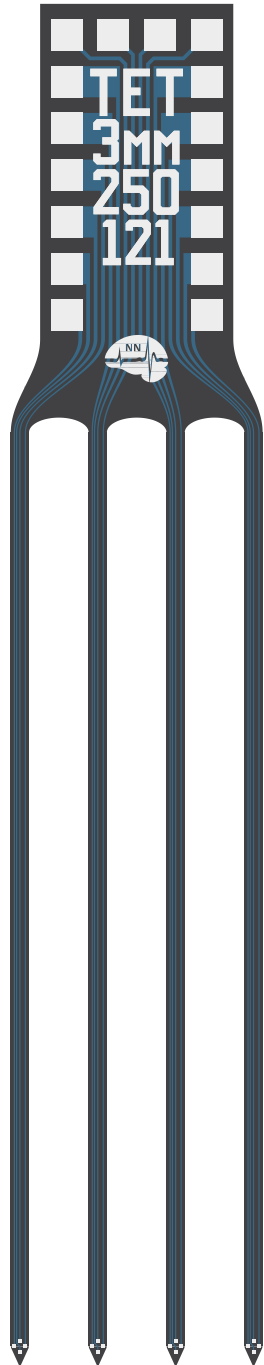
MR_CM16
MR_H16_21mm
MR_HC16_21mm

thickness

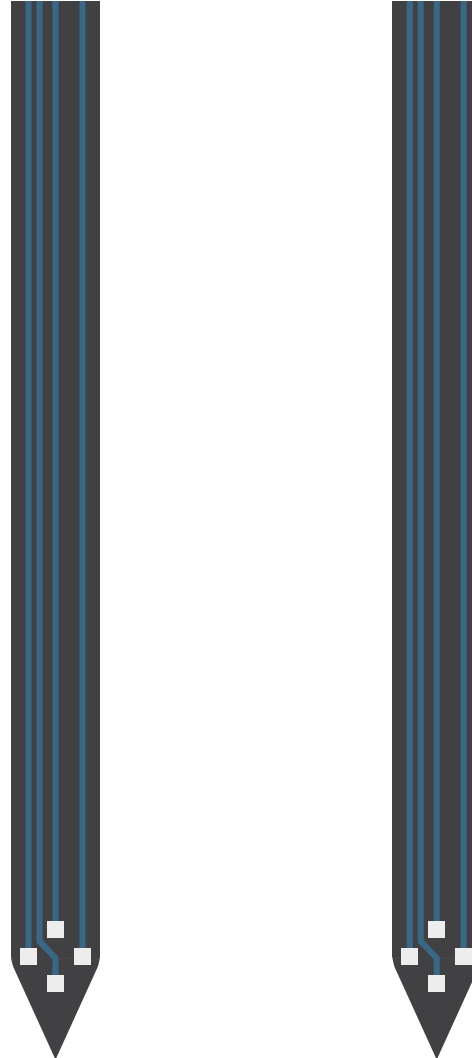
50 μ m

A4x1-tet-3mm-250-121

3mm



TIP DETAIL



available packages

ACUTE

A16

CHRONIC

CM16LP
H16_21mm
HC16_21mm
HZ16_21mm
Z16

OPTOGENETICS

OA16LP
OCM16LP
OH16LP (required for
oDrive)
OZ16LP

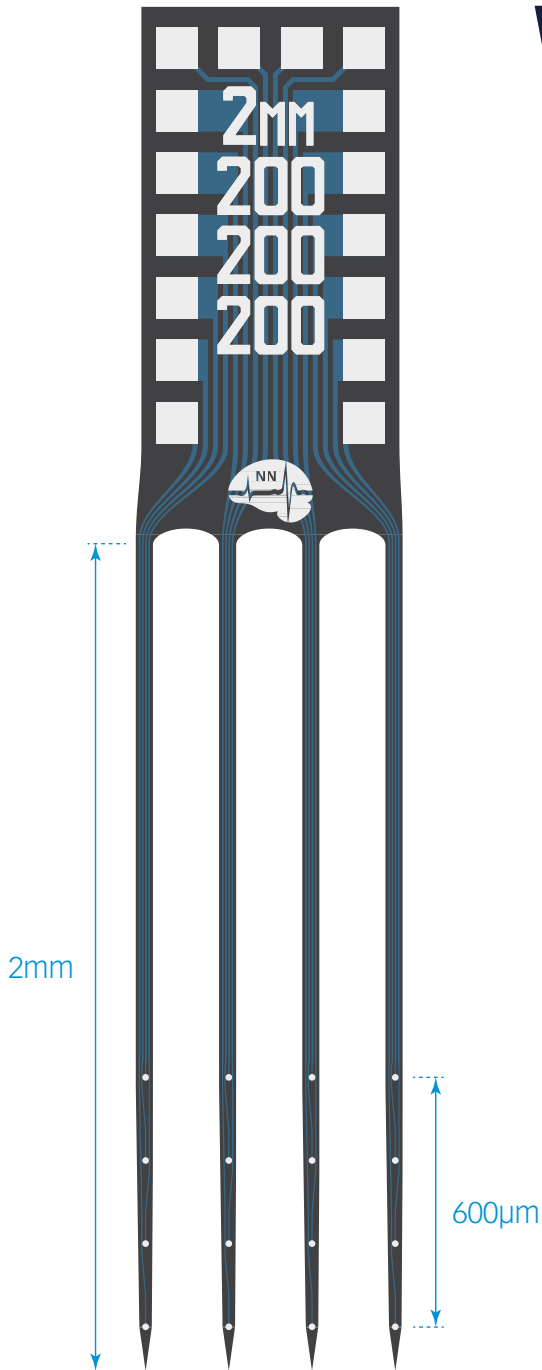
MR-COMPATIBLE

MR_CM16
MR_H16_21mm
MR_HC16_21mm

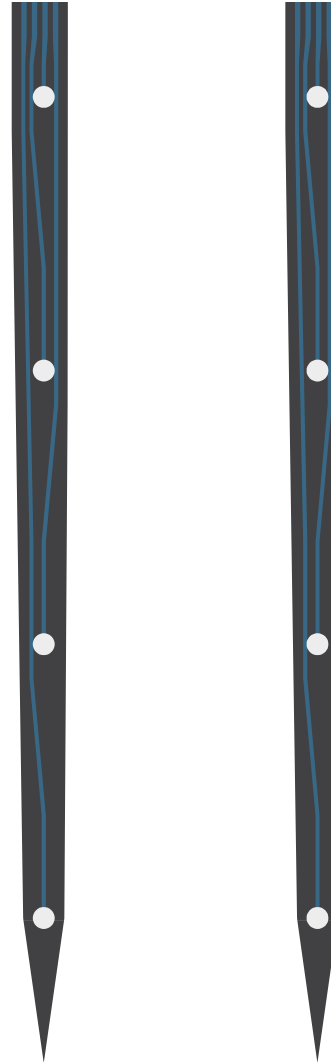
thickness

15 μ m

A4x4-2mm-200-200-200



TIP DETAIL



available packages

ACUTE

A16

CHRONIC

CM16LP
H16_21mm
HC16_21mm
HZ16_21mm
Z16

OPTOGENETICS

OA16LP
OCM16LP
OH16LP (required for oDrive)
OZ16LP

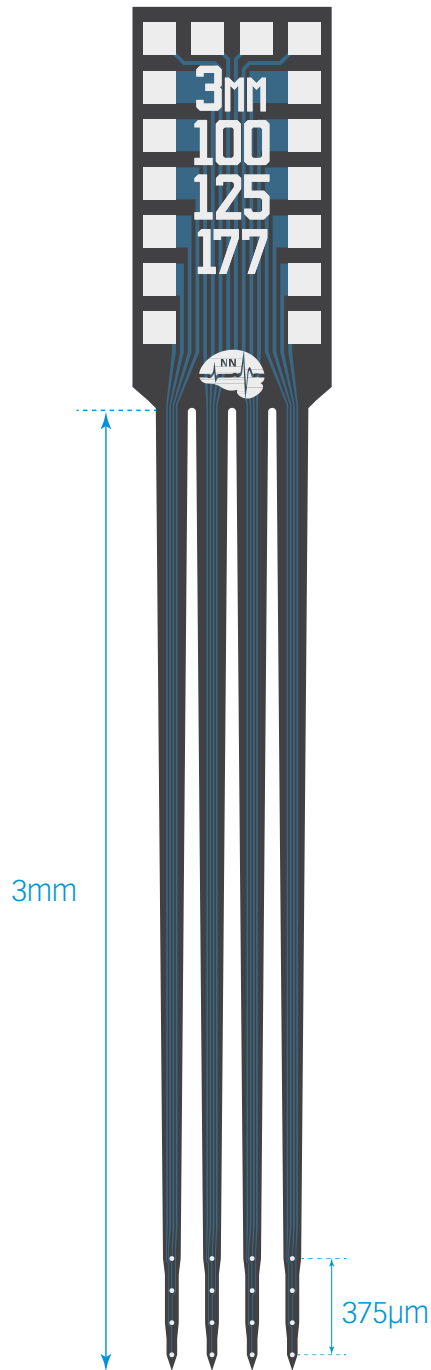
MR-COMPATIBLE

MR_CM16
MR_H16_21mm
MR_HC16_21mm

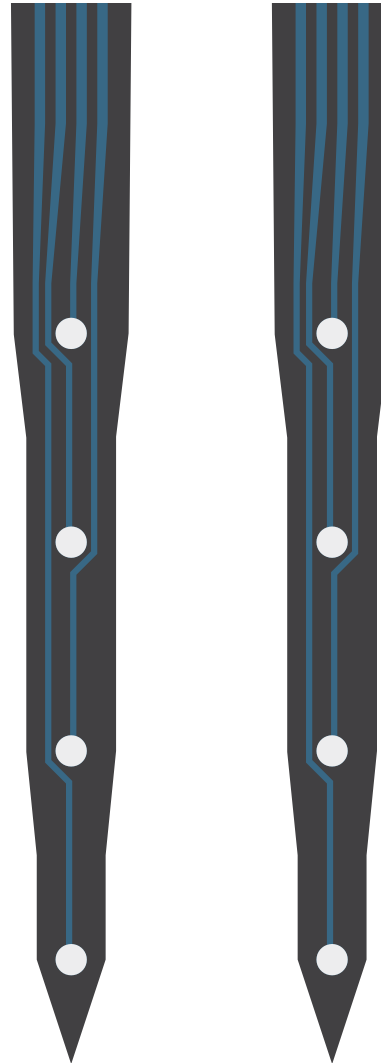
thickness

15 µm

A4x4-3mm-100-125-177



TIP DETAIL



available packages

ACUTE

A16

CHRONIC

CM16LP
H16_21mm
HC16_21mm
HZ16_21mm
Z16

OPTOGENETICS

OA16LP
OCM16LP
OH16LP (required for
oDrive)
OZ16LP

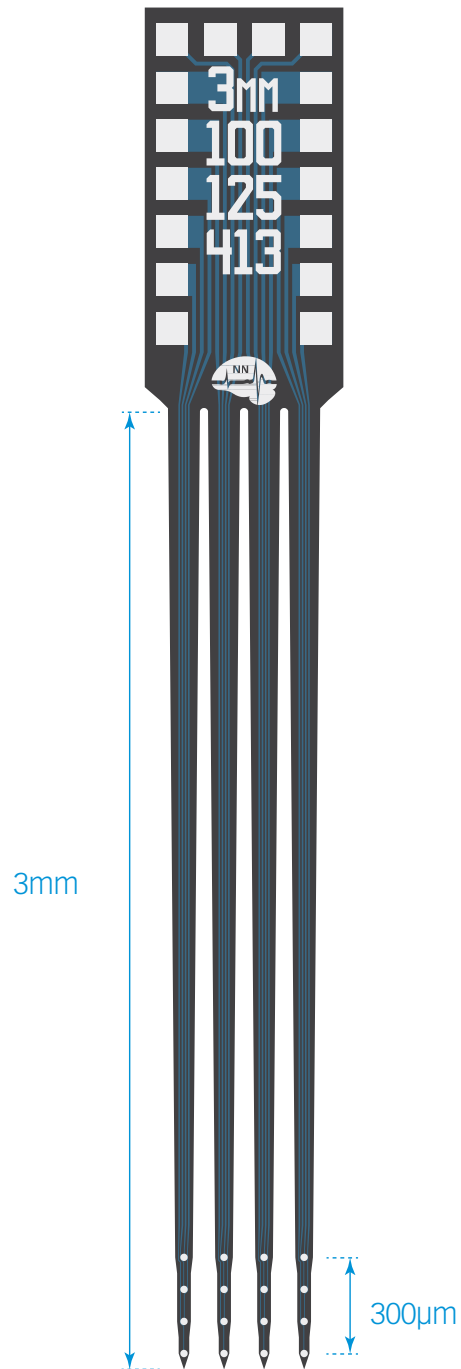
MR-COMPATIBLE

MR_CM16
MR_H16_21mm
MR_HC16_21mm

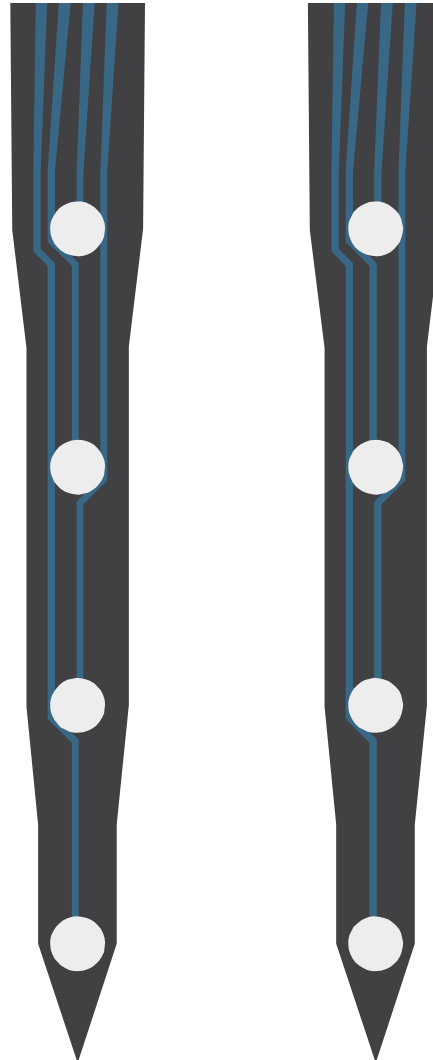
thickness

15 µm

A4x4-3mm-100-125-413



TIP DETAIL



available packages

ACUTE
A16

CHRONIC
CM16LP
H16_21mm
HC16_21mm
HZ16_21mm
Z16

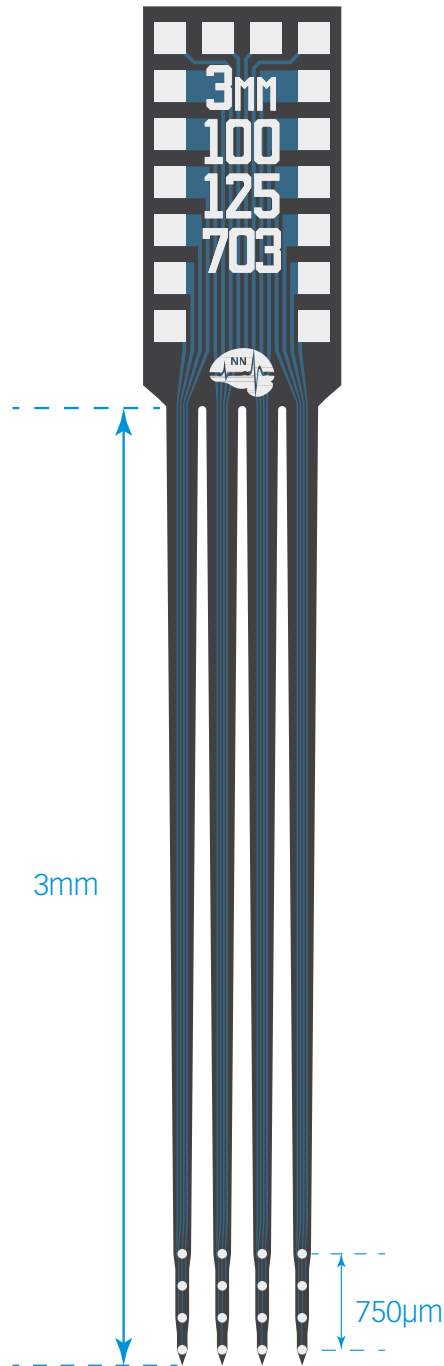
OPTOGENETICS
OA16LP
OCM16LP
OH16LP (required for oDrive)
OZ16LP

MR-COMPATIBLE
MR_CM16
MR_H16_21mm
MR_HC16_21mm

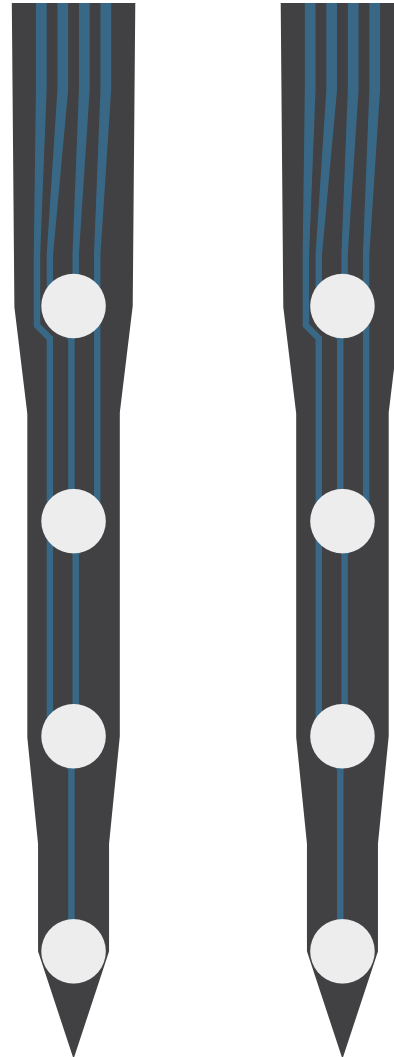
thickness

15 µm
50 µm

A4x4-3mm-100-125-703



TIP DETAIL



available packages

ACUTE
A16

CHRONIC
CM16LP
H16_21mm
HC16_21mm
HZ16_21mm
Z16

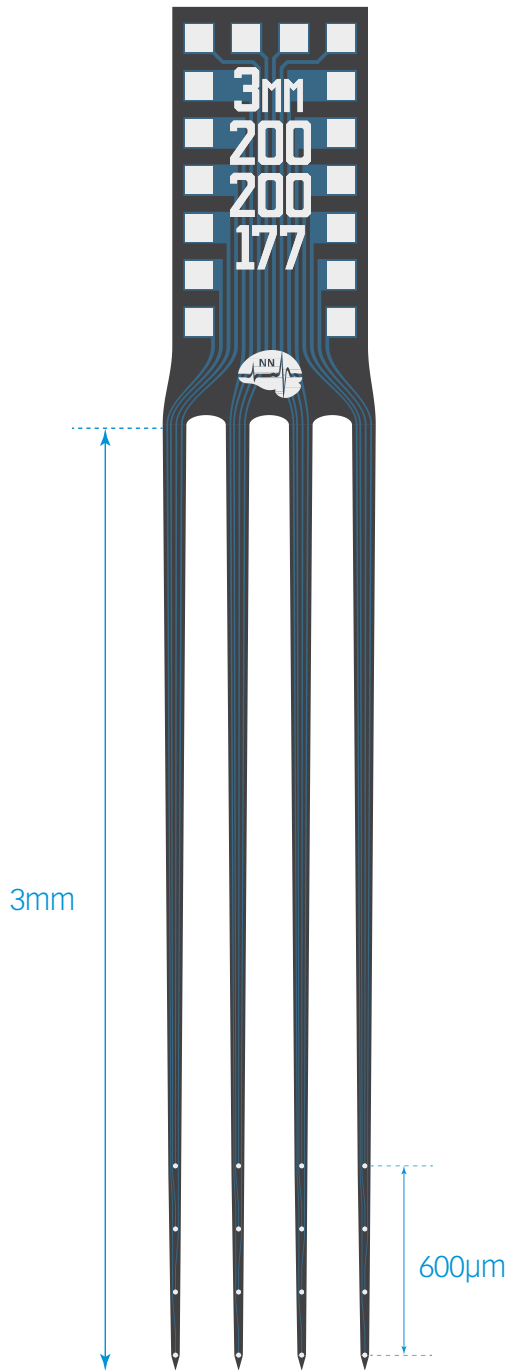
OPTOGENETICS
OA16LP
OCM16LP
OH16LP (required for oDrive)
OZ16LP

MR-COMPATIBLE
MR_CM16
MR_H16_21mm
MR_HC16_21mm

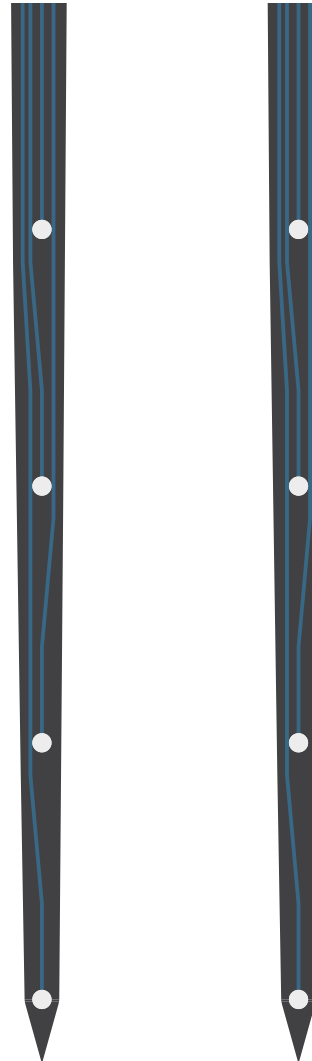
thickness

15 µm
50 µm

A4x4-3mm-200-200-177



TIP DETAIL



available packages

ACUTE
A16

CHRONIC
CM16LP
H16_21mm
HC16_21mm
HZ16_21mm
Z16

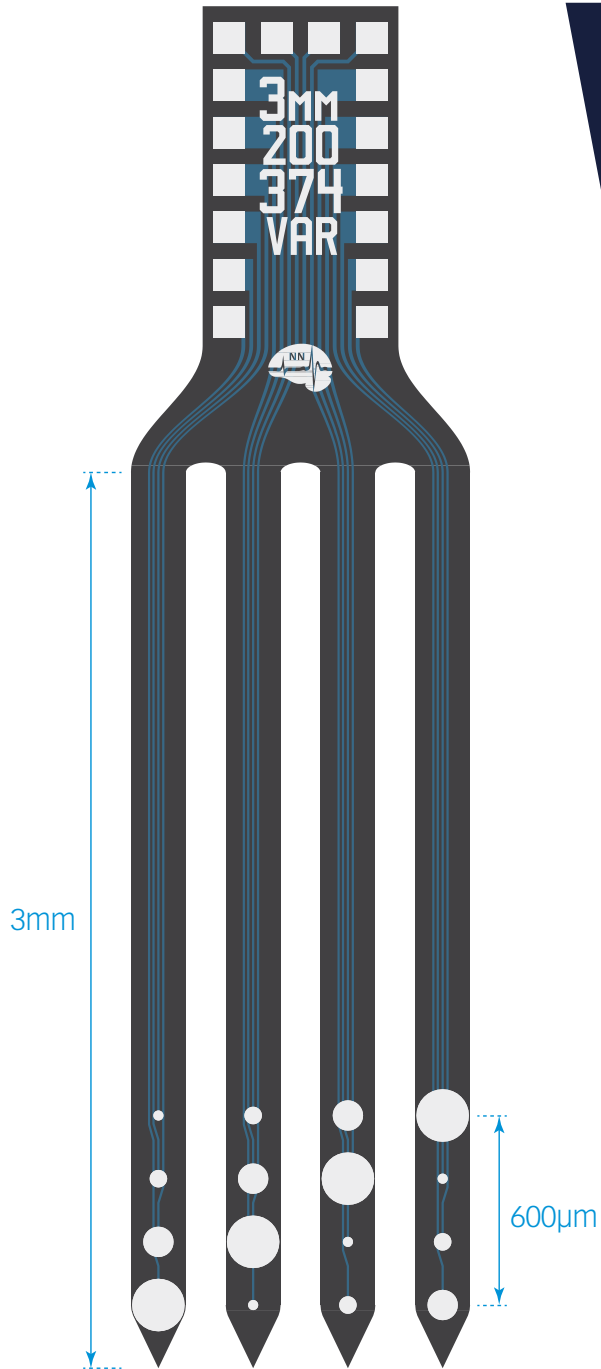
OPTOGENETICS
OA16LP
OCM16LP
OH16LP (required for oDrive)
OZ16LP

MR-COMPATIBLE
MR_CM16
MR_H16_21mm
MR_HC16_21mm

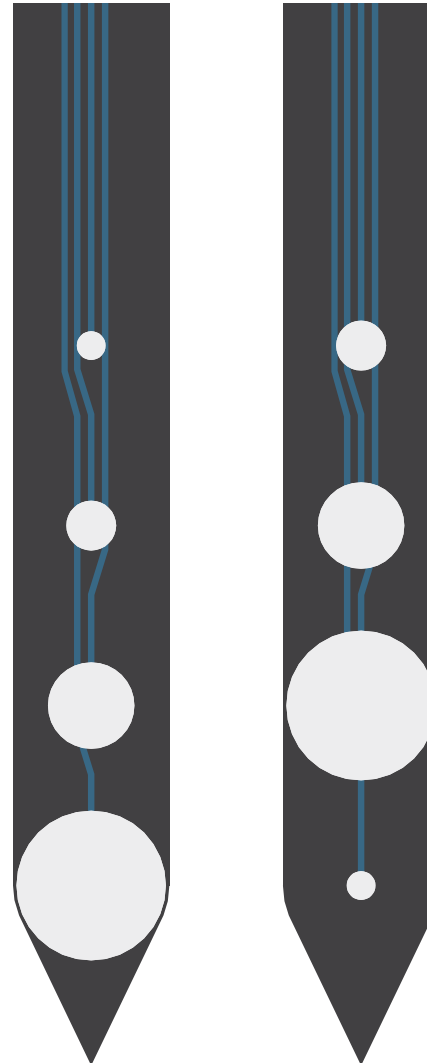
thickness

15 µm

A4x4-3mm-200-374-var



TIP DETAIL



available packages

ACUTE

A16

CHRONIC

CM16LP
H16_21mm
HC16_21mm
HZ16_21mm
Z16

OPTOGENETICS

OA16LP
OCM16LP
OH16LP (required for oDrive)
OZ16LP

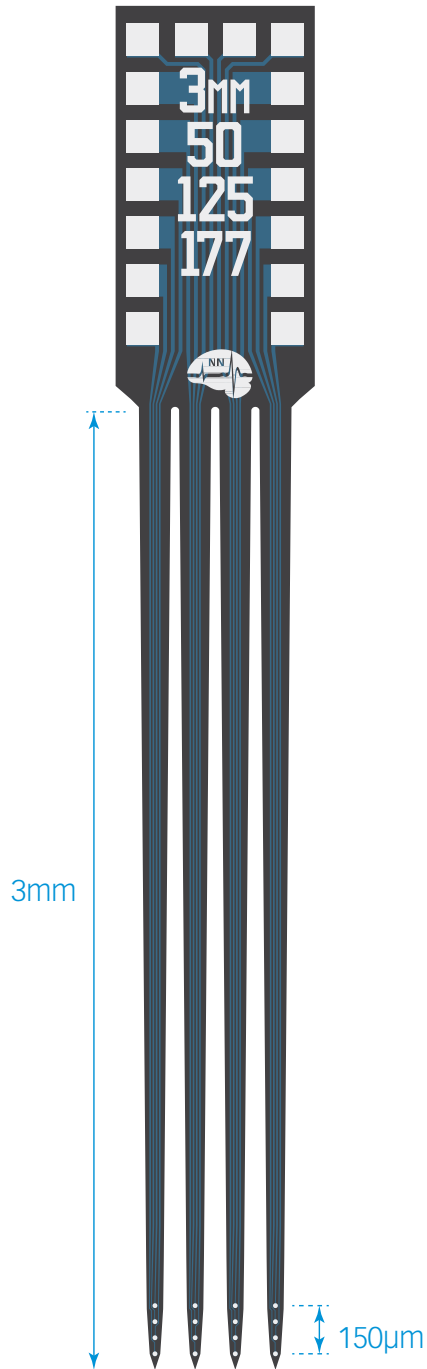
MR-COMPATIBLE

MR_CM16
MR_H16_21mm
MR_HC16_21mm

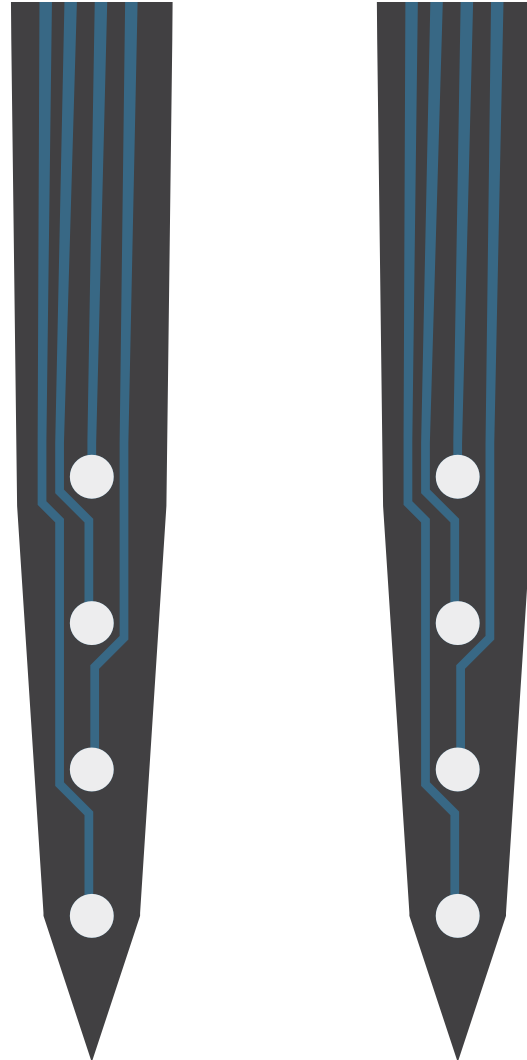
thickness

15 µm

A4x4-3mm-50-125-177



TIP DETAIL



available packages

ACUTE
A16

CHRONIC
CM16LP
H16_21mm
HC16_21mm
HZ16_21mm
Z16

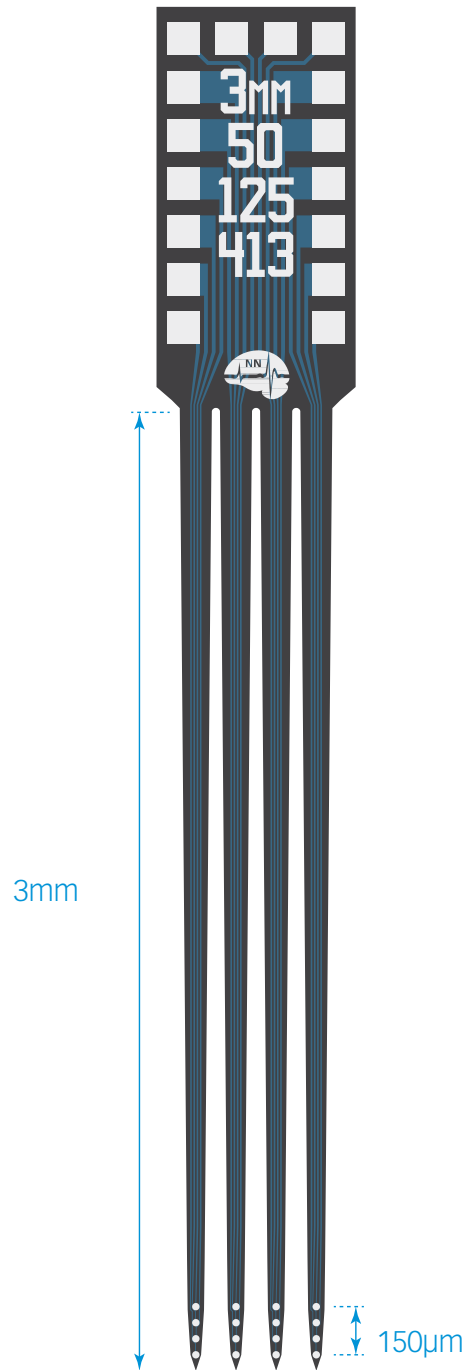
OPTOGENETICS
OA16LP
OCM16LP
OH16LP (required for oDrive)
OZ16LP

MR-COMPATIBLE
MR_CM16
MR_H16_21mm
MR_HC16_21mm

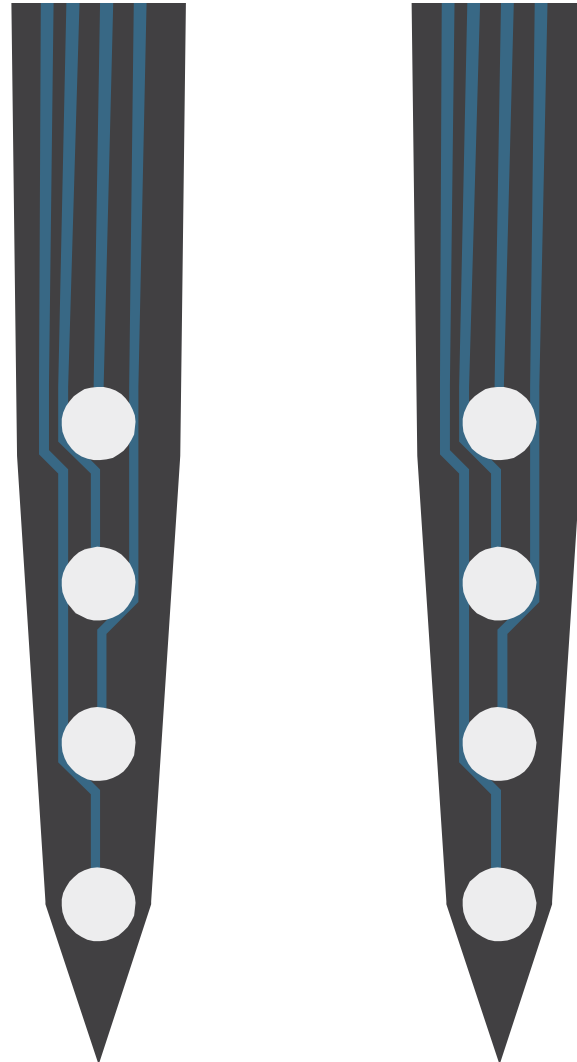
thickness

15 µm

A4x4-3mm-50-125-413



TIP DETAIL



available packages

ACUTE
A16

CHRONIC
CM16LP
H16_21mm
HC16_21mm
HZ16_21mm
Z16

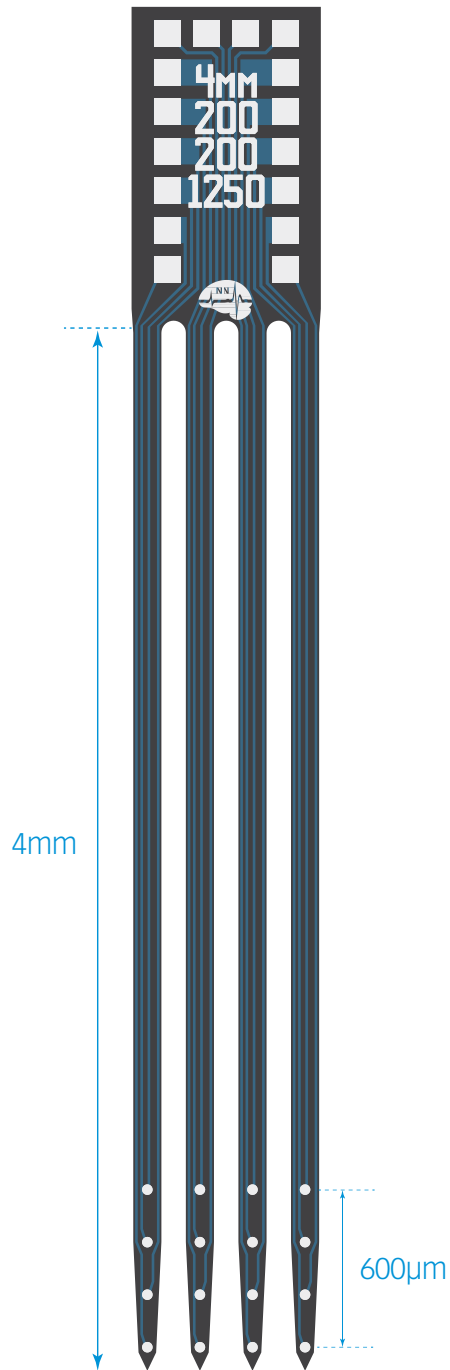
OPTOGENETICS
OA16LP
OCM16LP
OH16LP (required for oDrive)
OZ16LP

MR-COMPATIBLE
MR_CM16
MR_H16_21mm
MR_HC16_21mm

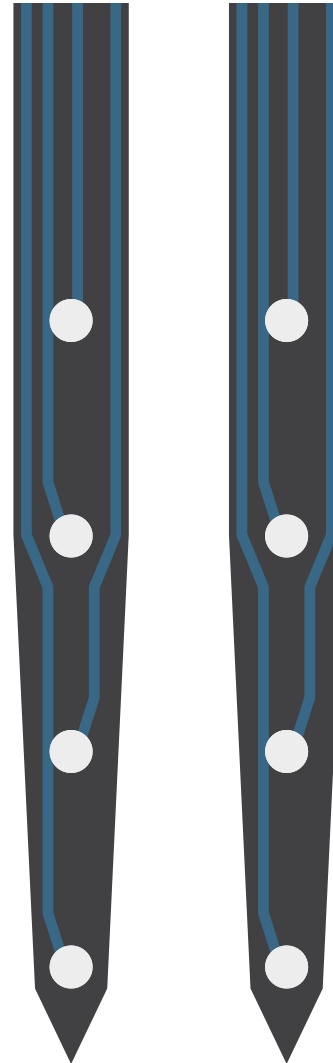
thickness

15 µm

A4x4-4mm-200-200-1250



TIP DETAIL



available packages

ACUTE
A16

CHRONIC
CM16LP
H16_21mm
HC16_21mm
HZ16_21mm
Z16

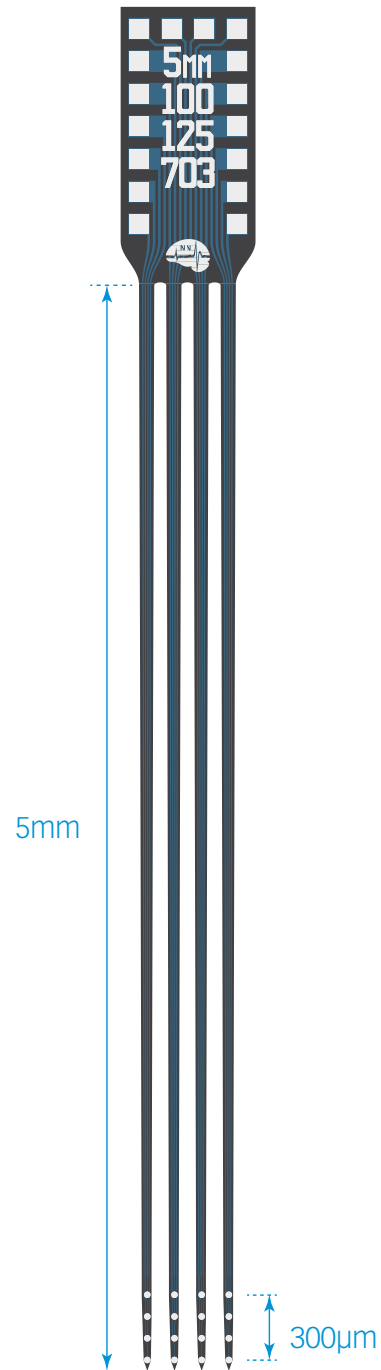
OPTOGENETICS
OA16LP
OCM16LP
OH16LP (required for
oDrive)
OZ16LP

MR-COMPATIBLE
MR_CM16
MR_H16_21mm
MR_HC16_21mm

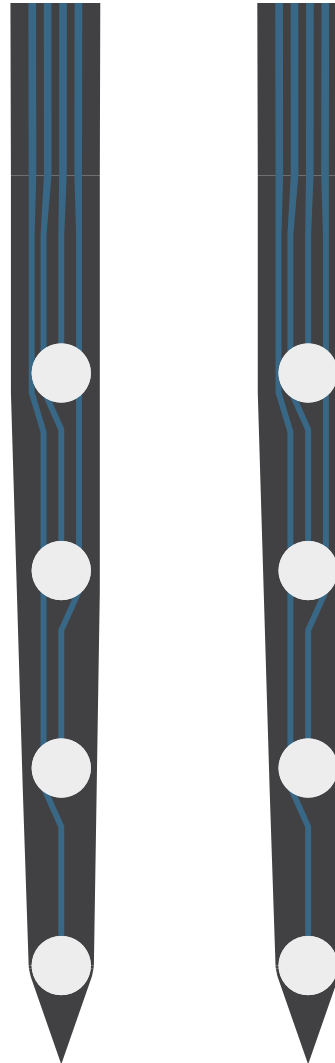
thickness

15 µm
50 µm

A4x4-5mm-100-125-703



TIP DETAIL



available packages

ACUTE
A16

CHRONIC
CM16LP
H16_21mm
HC16_21mm
HZ16_21mm
Z16

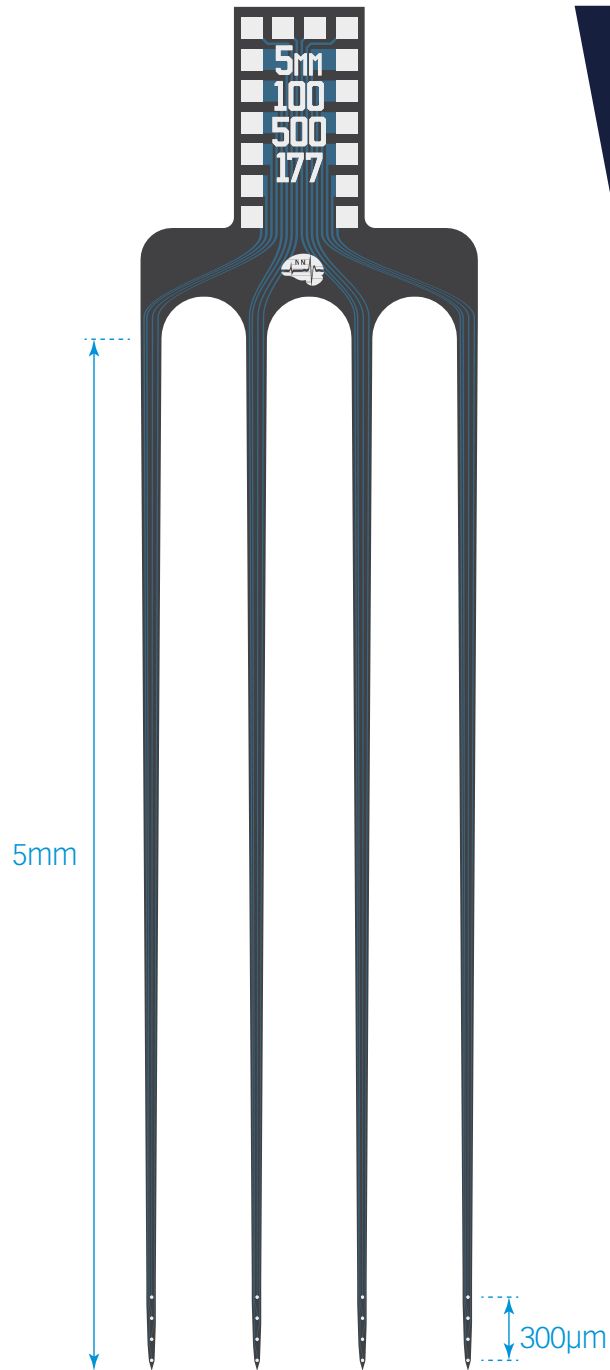
OPTOGENETICS
OA16LP
OCM16LP
OH16LP (required for oDrive)
OZ16LP

MR-COMPATIBLE
MR_CM16
MR_H16_21mm
MR_HC16_21mm

thickness

15 µm

A4x4-5mm-100-500-177



TIP DETAIL



available packages

ACUTE

A16

CHRONIC

CM16LP
H16_21mm
HC16_21mm
HZ16_21mm
Z16

OPTOGENETICS

OA16LP
OCM16LP
OH16LP (required for
oDrive)
OZ16LP

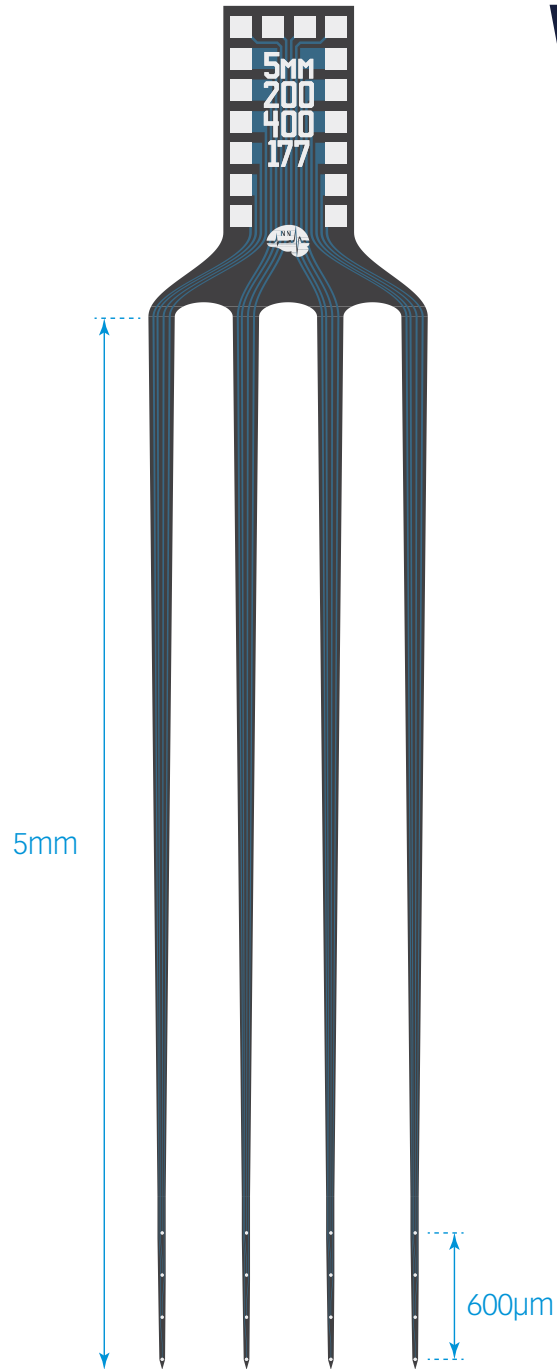
MR-COMPATIBLE

MR_CM16
MR_H16_21mm
MR_HC16_21mm

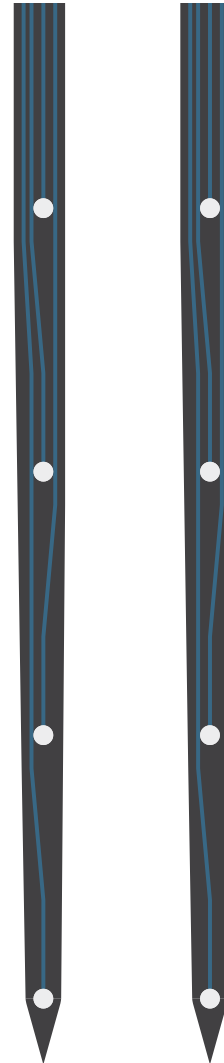
thickness

15 µm

A4x4-5mm-200-400-177



TIP DETAIL



available packages

ACUTE
A16

CHRONIC
CM16LP
H16_21mm
HC16_21mm
HZ16_21mm
Z16

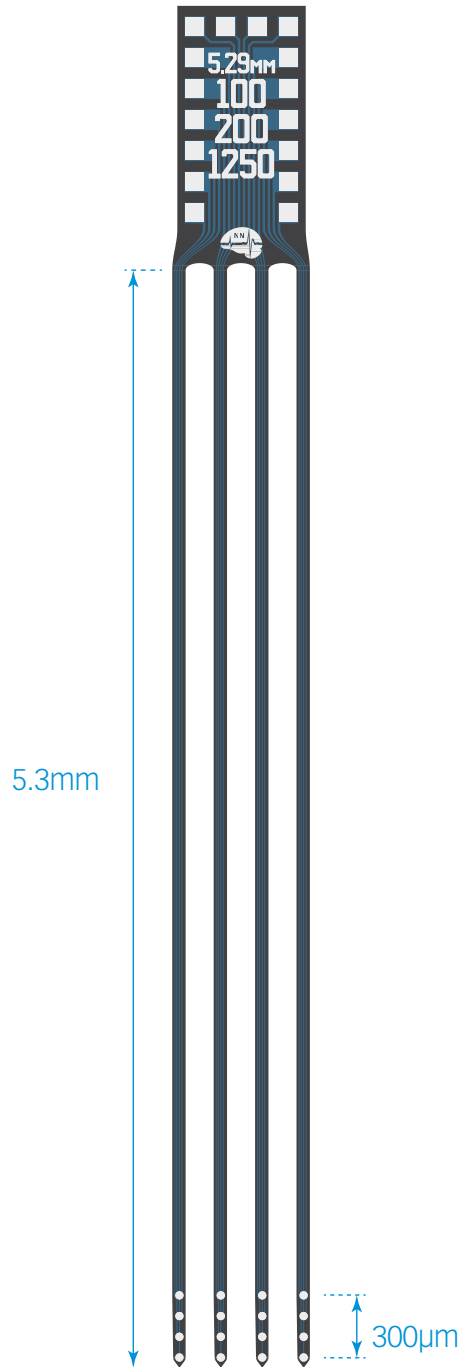
OPTOGENETICS
OA16LP
OCM16LP
OH16LP (required for oDrive)
OZ16LP

MR-COMPATIBLE
MR_CM16
MR_H16_21mm
MR_HC16_21mm

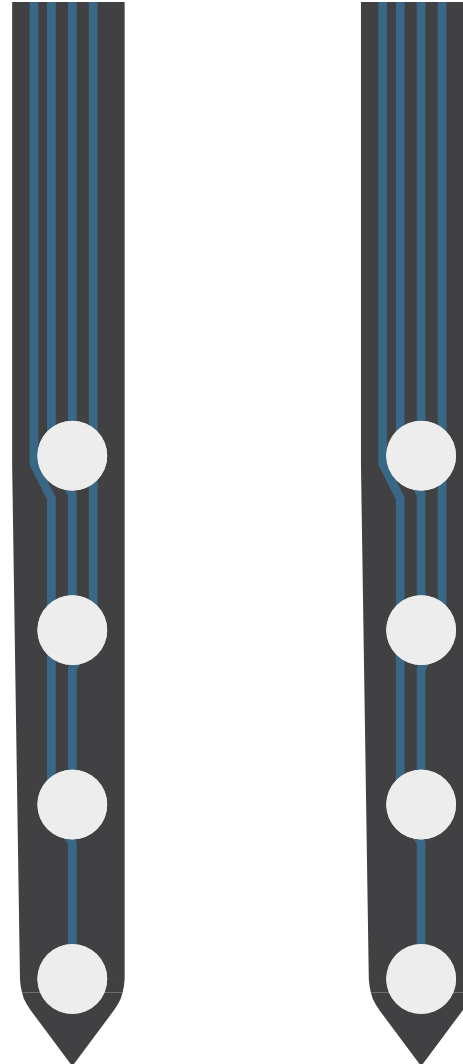
thickness

50 µm

A4x4-5.3mm-100-200-1250



TIP DETAIL



available packages

ACUTE
A16

CHRONIC
CM16LP
H16_21mm
HC16_21mm
HZ16_21mm
Z16

OPTOGENETICS
OA16LP
OCM16LP
OH16LP (required for oDrive)
OZ16LP

MR-COMPATIBLE
MR_CM16
MR_H16_21mm
MR_HC16_21mm

thickness

50 µm

A4x4-10mm-400-500-9000

available packages

ACUTE
A16

CHRONIC
CM16LP
H16_21mm
HC16_21mm
HZ16_21mm
Z16

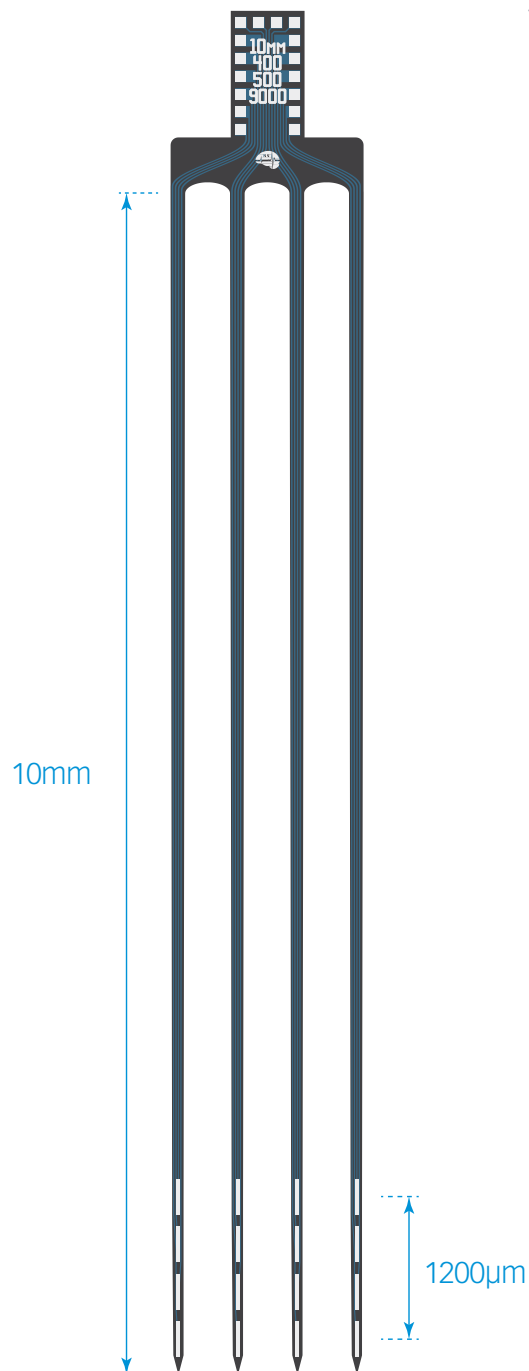
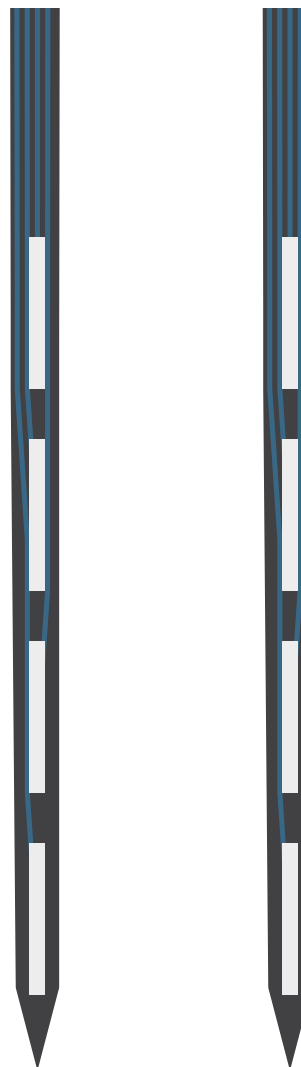
OPTOGENETICS
OA16LP
OCM16LP
OH16LP (required for oDrive)
OZ16LP

MR-COMPATIBLE
MR_CM16
MR_H16_21mm
MR_HC16_21mm

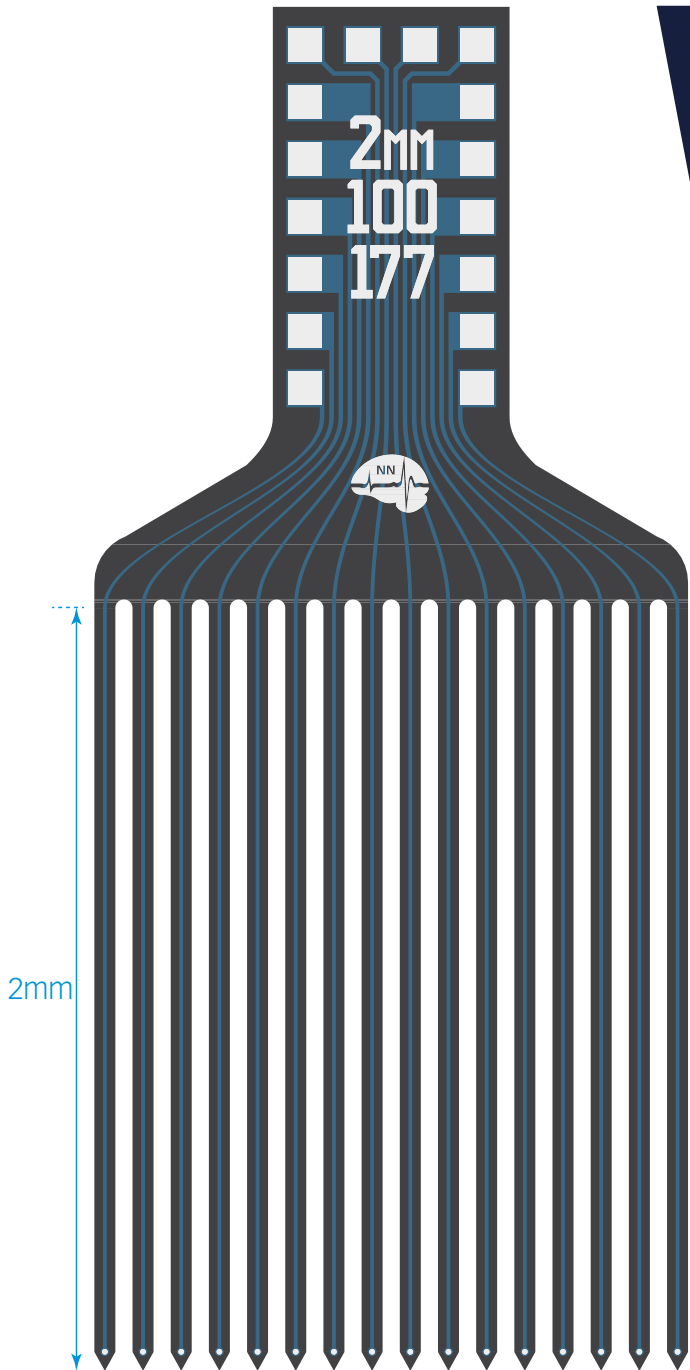
thickness

50 μm

TIP DETAIL



A16x1-2mm-100-177



TIP DETAIL



available packages

ACUTE

A16

CHRONIC

CM16LP
H16_21mm
HC16_21mm
HZ16_21mm
Z16

OPTOGENETICS

OA16LP
OCM16LP
OH16LP (required for
oDrive)
OZ16LP

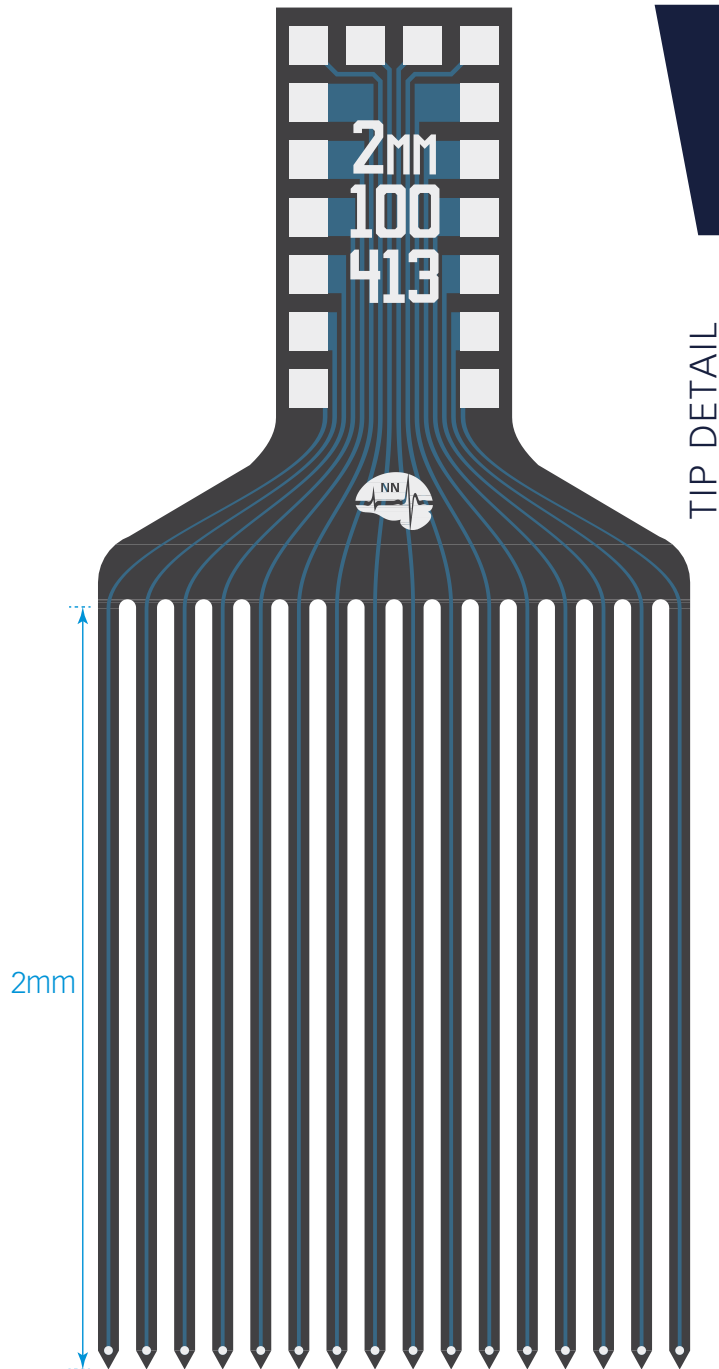
MR-COMPATIBLE

MR_CM16
MR_H16_21mm
MR_HC16_21mm

thickness

15 µm
50 µm

A16X1-2mm-100-413



TIP DETAIL



available
packages

ACUTE
A16

CHRONIC
CM16LP
H16_21mm
HC16_21mm
HZ16_21mm
Z16

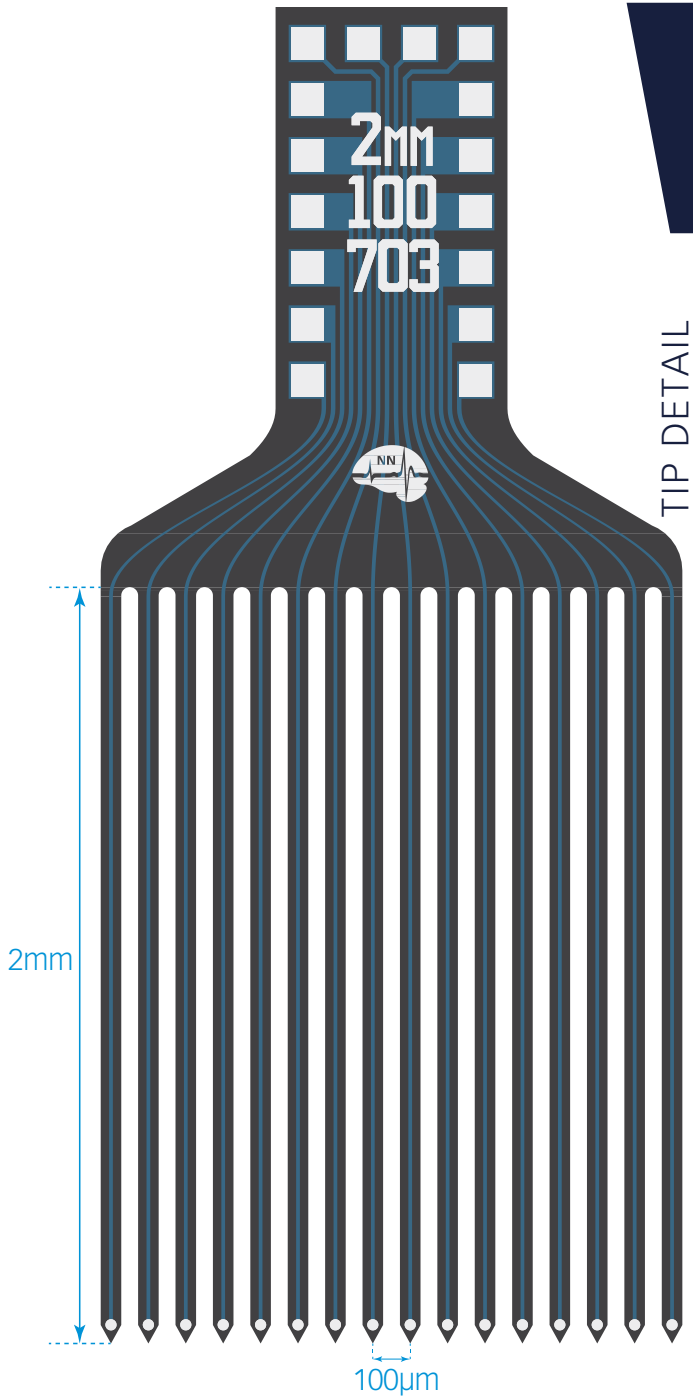
OPTOGENETICS
OA16LP
OCM16LP
OH16LP (required for
oDrive)
OZ16LP

MR-COMPATIBLE
MR_CM16
MR_H16_21mm
MR_HC16_21mm

thickness

15 μ m

A16X1-2mm-100-703



available packages

ACUTE

A16

CHRONIC

CM16LP
H16_21mm
HC16_21mm
HZ16_21mm
Z16

OPTOGENETICS

OA16LP
OCM16LP
OH16LP (required for
oDrive)
OZ16LP

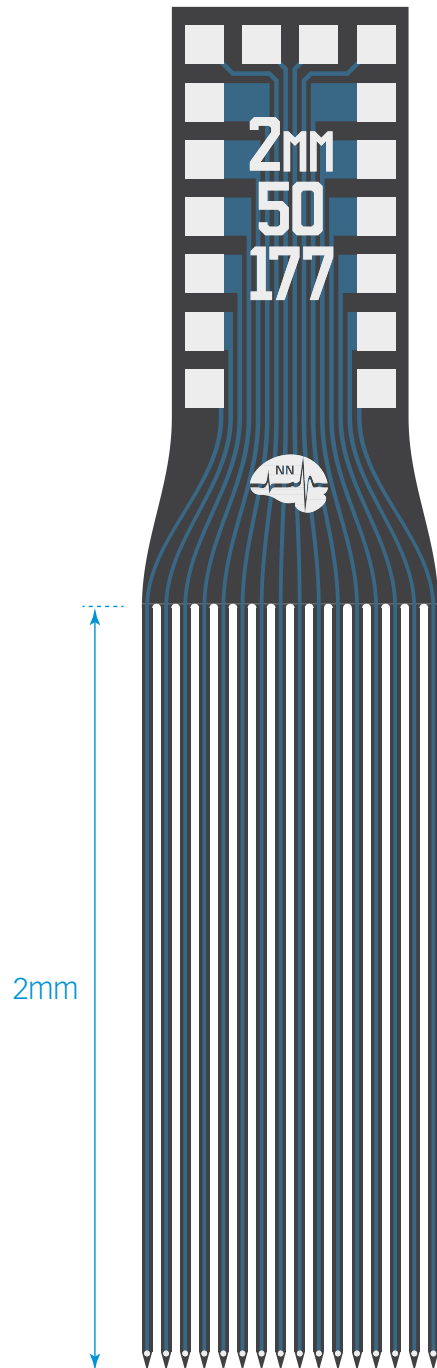
MR-COMPATIBLE

MR_CM16
MR_H16_21mm
MR_HC16_21mm

thickness

15 µm

A16x1-2mm-50-177



TIP DETAIL



available packages

ACUTE
A16

CHRONIC
CM16LP
H16_21mm
HC16_21mm
HZ16_21mm
Z16

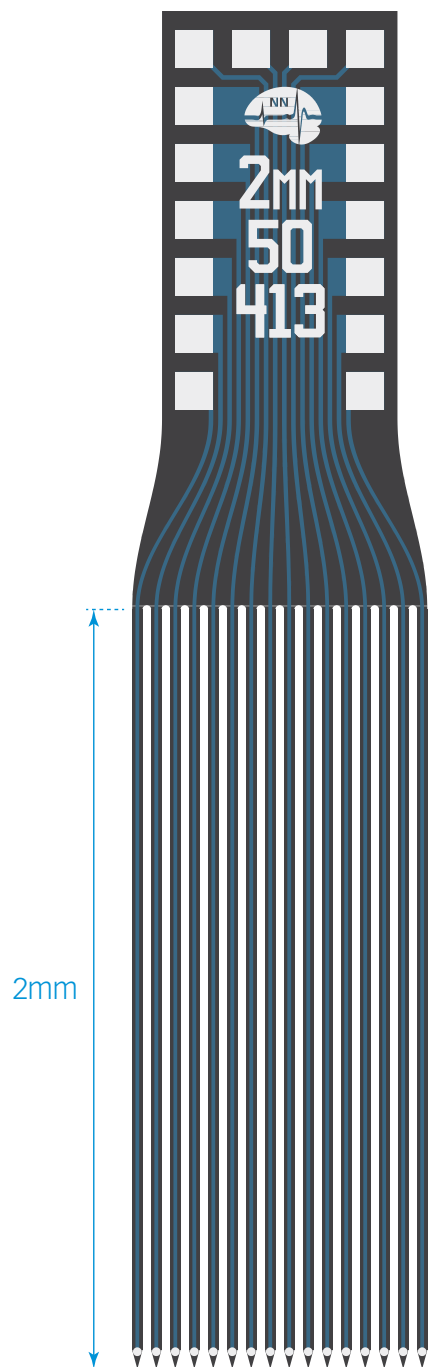
OPTOGENETICS
OA16LP
OCM16LP
OH16LP (required for oDrive)
OZ16LP

MR-COMPATIBLE
MR_CM16
MR_H16_21mm
MR_HC16_21mm

thickness

15 μm
50 μm

A16x1-2mm-50-413



TIP DETAIL



available packages

ACUTE

A16

CHRONIC

CM16LP
H16_21mm
HC16_21mm
HZ16_21mm
Z16

OPTOGENETICS

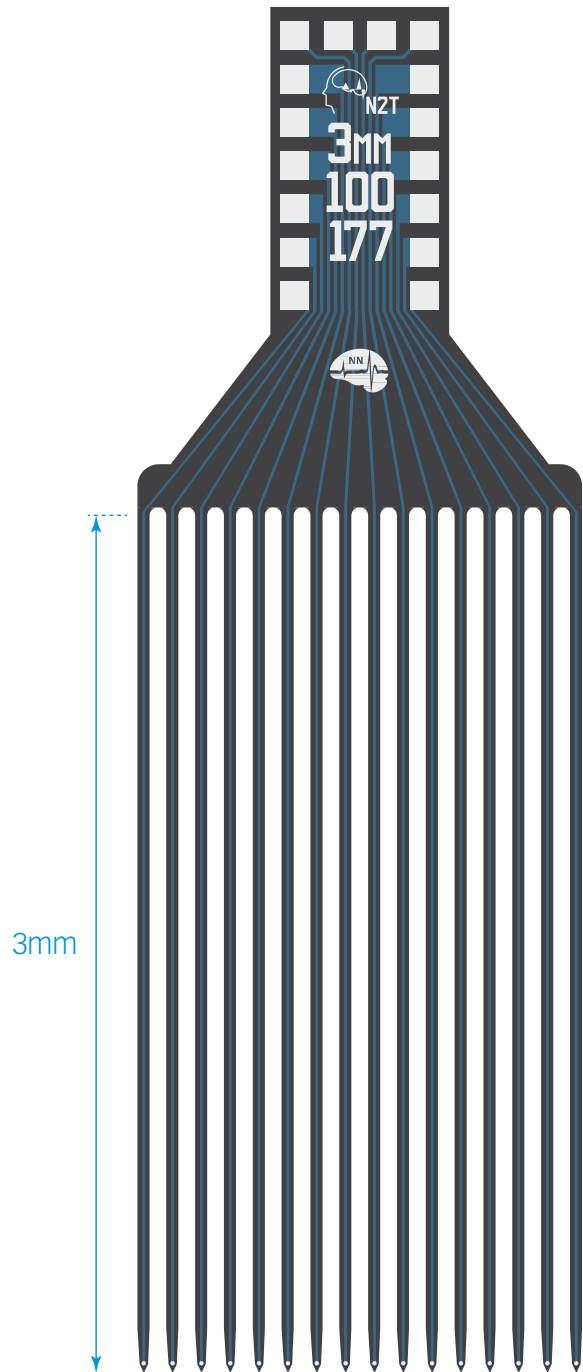
OA16LP
OCM16LP
OH16LP (required for oDrive)
OZ16LP

MR-COMPATIBLE

MR_CM16
MR_H16_21mm
MR_HC16_21mm

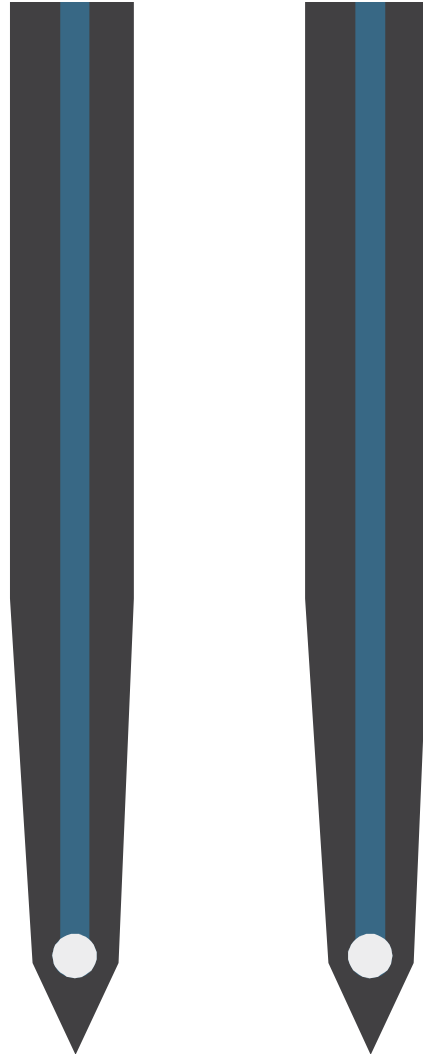
thickness

15 μm
50 μm



A16x1-3mm-100-117

TIP DETAIL



available packages

ACUTE
A16

CHRONIC
CM16LP
H16_21mm
HC16_21mm
HZ16_21mm
Z16

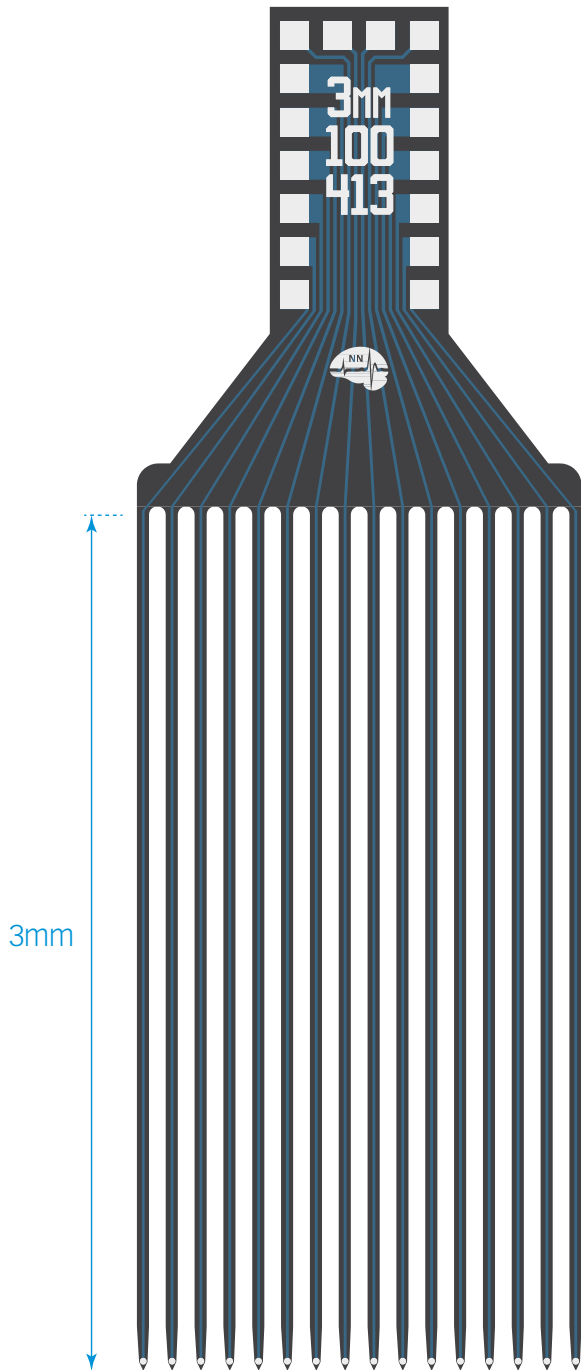
OPTOGENETICS
OA16LP
OCM16LP
OH16LP (required for oDrive)
OZ16LP

MR-COMPATIBLE
MR_CM16
MR_H16_21mm
MR_HC16_21mm

thickness

15 μ m
50 μ m

A16x1-3mm-100-413



TIP DETAIL



available packages

ACUTE
A16

CHRONIC
CM16LP
H16_21mm
HC16_21mm
HZ16_21mm
Z16

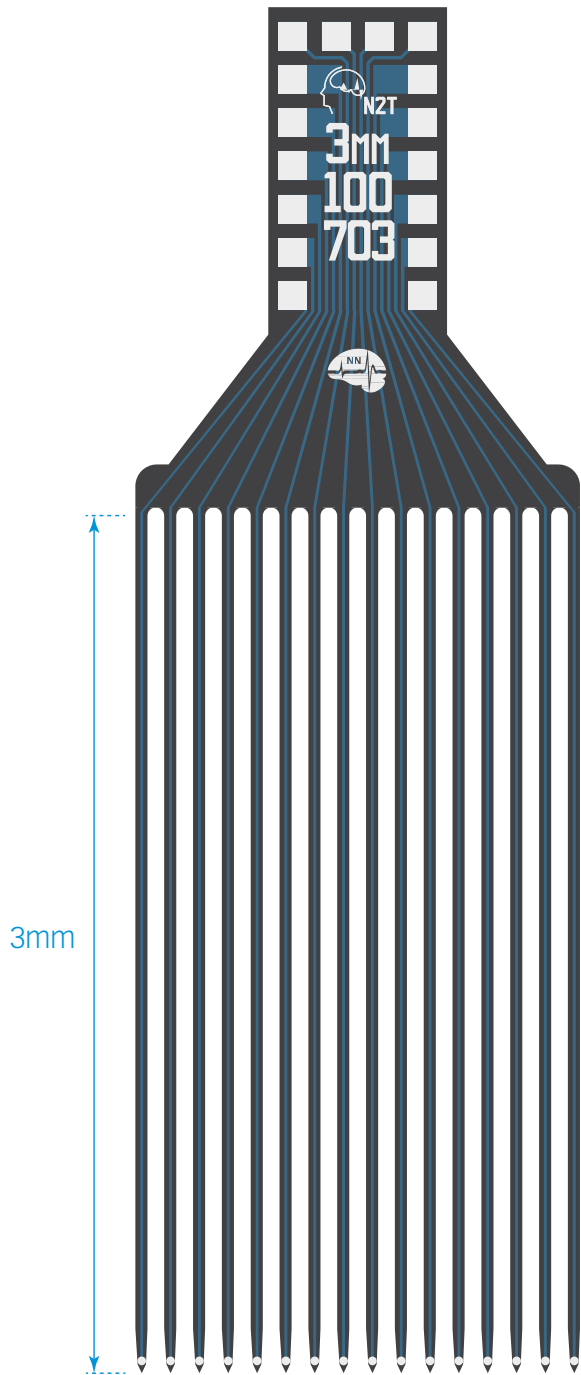
OPTOGENETICS
OA16LP
OCM16LP
OH16LP (required for
oDrive)
OZ16LP

MR-COMPATIBLE
MR_CM16
MR_H16_21mm
MR_HC16_21mm

thickness

15 μm
50 μm

A16X1-3mm-100-703



TIP DETAIL



available packages

ACUTE

A16

CHRONIC

CM16LP
H16_21mm
HC16_21mm
HZ16_21mm
Z16

OPTOGENETICS

OA16LP
OCM16LP
OH16LP (required for oDrive)
OZ16LP

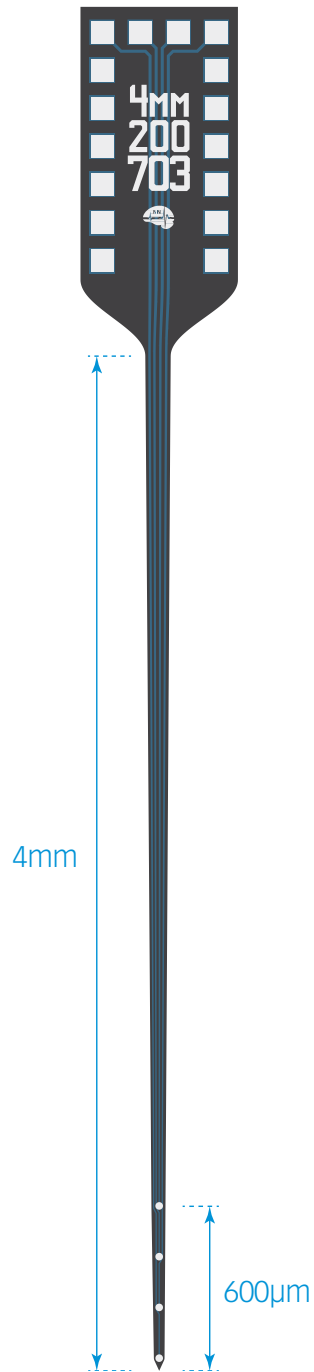
MR-COMPATIBLE

MR_CM16
MR_H16_21mm
MR_HC16_21mm

thickness

15 μm
50 μm

A1x4-4mm-200-703 (Villette)



TIP DETAIL



available packages

ACUTE

A16

CHRONIC

CM16LP
H16_21mm
HC16_21mm
HZ16_21mm
Z16

OPTOGENETICS

OA16LP
OCM16LP
OH16LP (required for oDrive)
OZ16LP

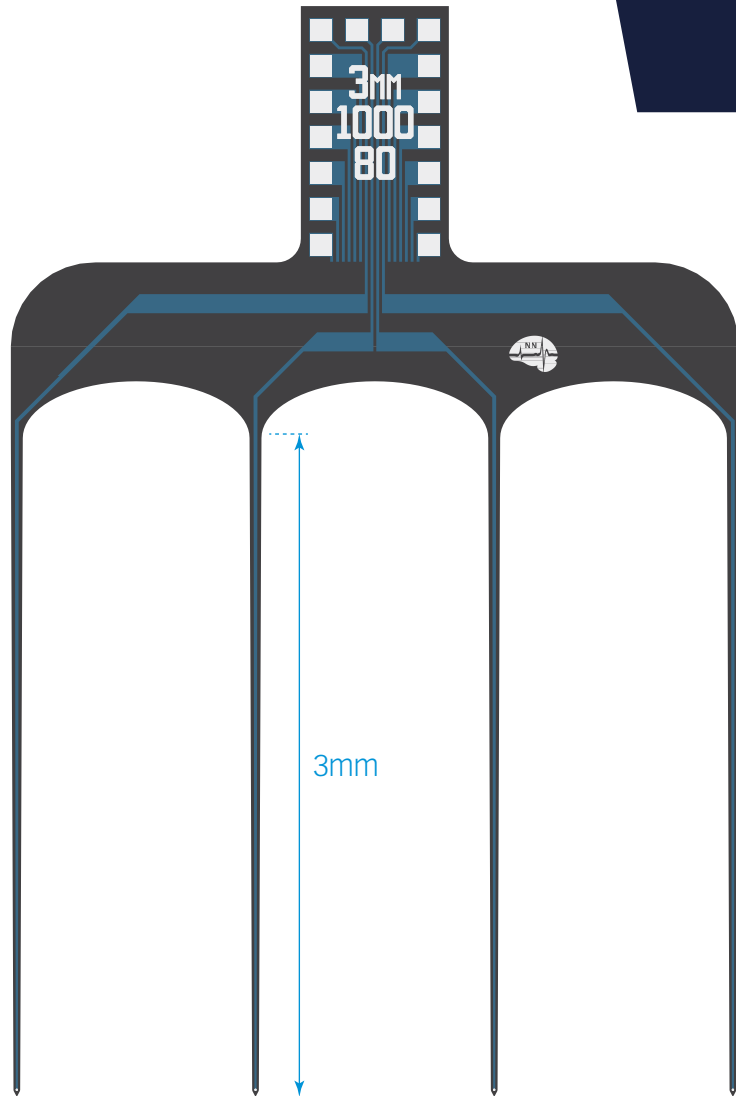
MR-COMPATIBLE

MR_CM16
MR_H16_21mm
MR_HC16_21mm

thickness

15 µm

A4x1-3mm-1000-80



TIP DETAIL



available packages

ACUTE
A16

CHRONIC
CM16LP
H16_21mm
HC16_21mm
HZ16_21mm
Z16

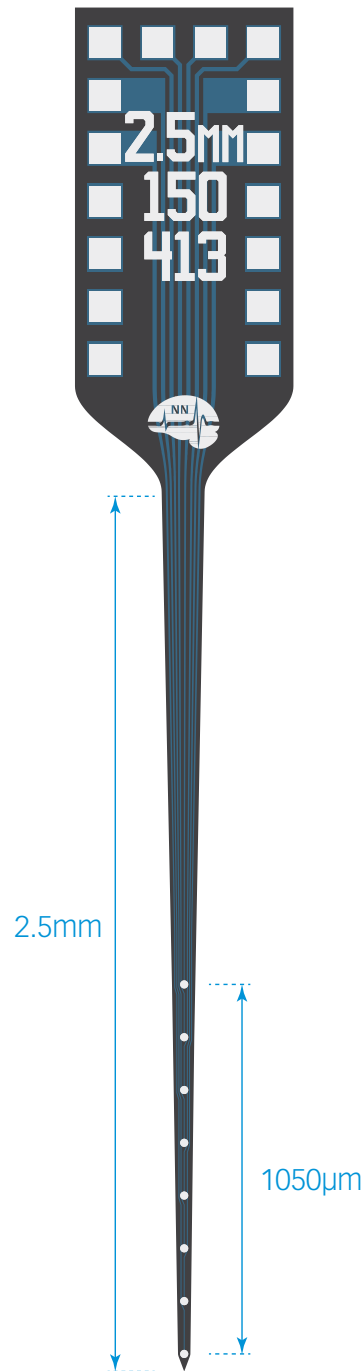
OPTOGENETICS
OA16LP
OCM16LP
OH16LP (required for oDrive)
OZ16LP

MR-COMPATIBLE
MR_CM16
MR_H16_21mm
MR_HC16_21mm

thickness

15 μm
50 μm

A1x8-2.5mm-150-413



TIP DETAIL



available packages

ACUTE
A16

CHRONIC
CM16LP
H16_21mm
HC16_21mm
HZ16_21mm
Z16

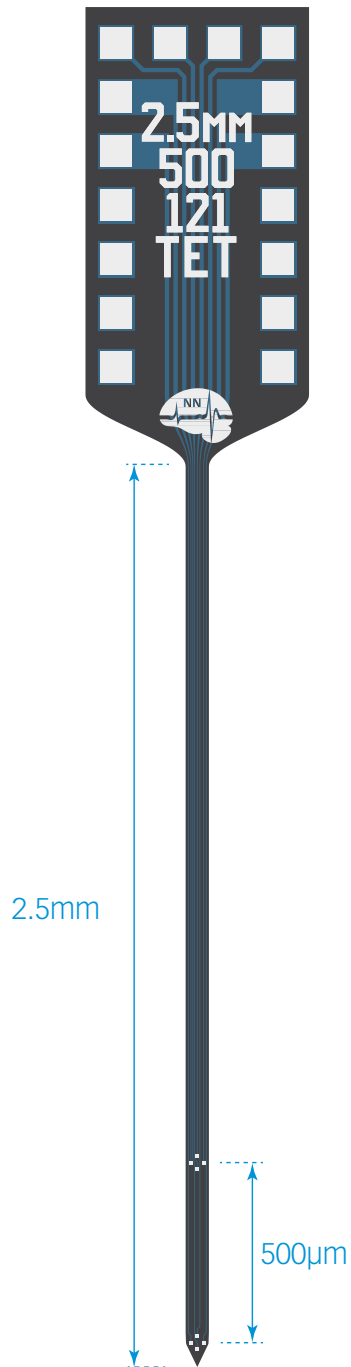
OPTOGENETICS
OA16LP
OCM16LP
OH16LP (required for oDrive)
OZ16LP

MR-COMPATIBLE
MR_CM16
MR_H16_21mm
MR_HC16_21mm

thickness

15 µm

A1x2-tet-2.5mm-500-121



TIP DETAIL



available packages

ACUTE

A16

CHRONIC

CM16LP
H16_21mm
HC16_21mm
HZ16_21mm
Z16

OPTOGENETICS

OA16LP
OCM16LP
OH16LP (required for oDrive)
OZ16LP

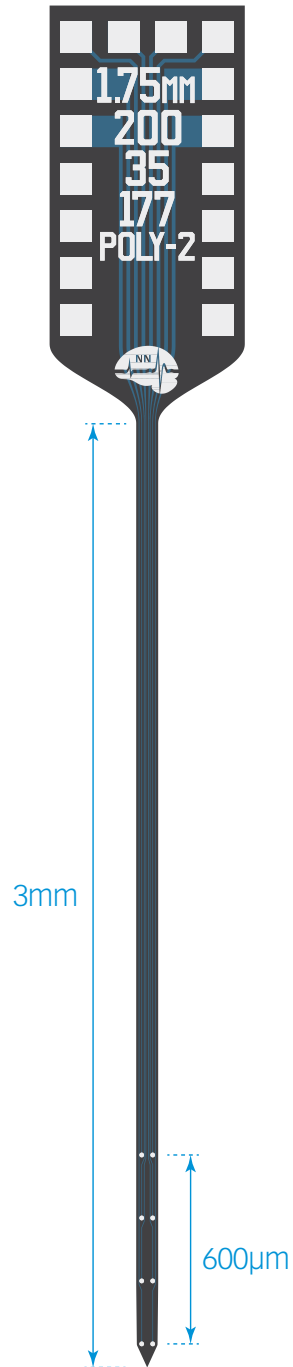
MR-COMPATIBLE

MR_CM16
MR_H16_21mm
MR_HC16_21mm

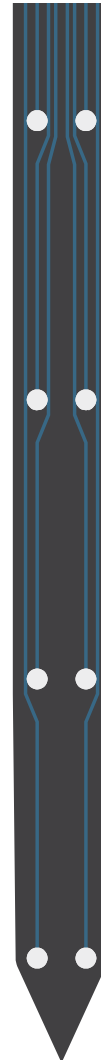
thickness

15 µm

A1x8-Poly2-3mm-200-35-177



TIP DETAIL



available packages

ACUTE
A16

CHRONIC
CM16LP
H16_21mm
HC16_21mm
HZ16_21mm
Z16

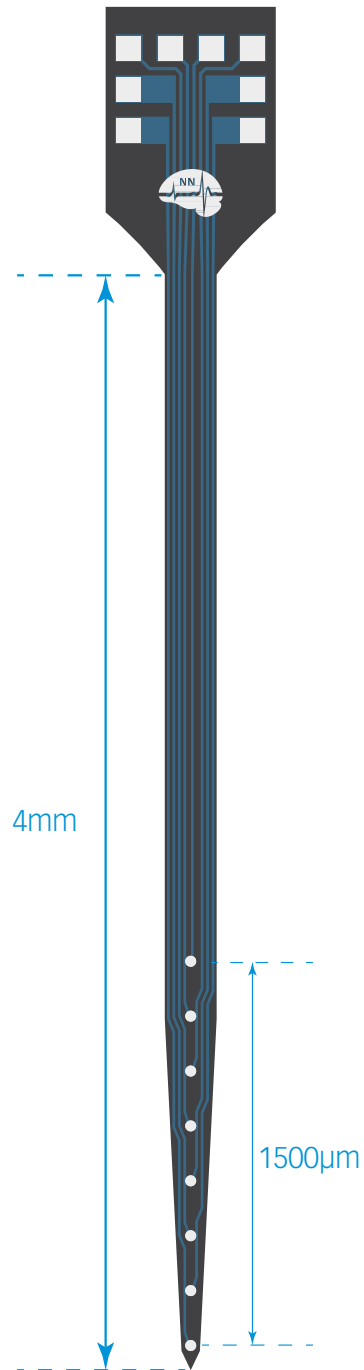
OPTOGENETICS
OA16LP
OCM16LP
OH16LP (required for oDrive)
OZ16LP

MR-COMPATIBLE
MR_CM16
MR_H16_21mm
MR_HC16_21mm

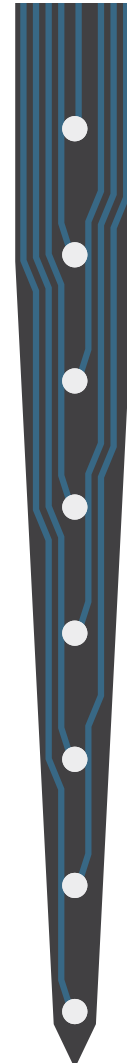
thickness

15 µm

A1x8-4mm-200-1250



TIP DETAIL



available packages

ACUTE
A16

CHRONIC
CM16LP
H16_21mm
HC16_21mm
HZ16_21mm
Z16

OPTOGENETICS
OA16LP
OCM16LP
OH16LP (required for oDrive)
OZ16LP

MR-COMPATIBLE
MR_CM16
MR_H16_21mm
MR_HC16_21mm

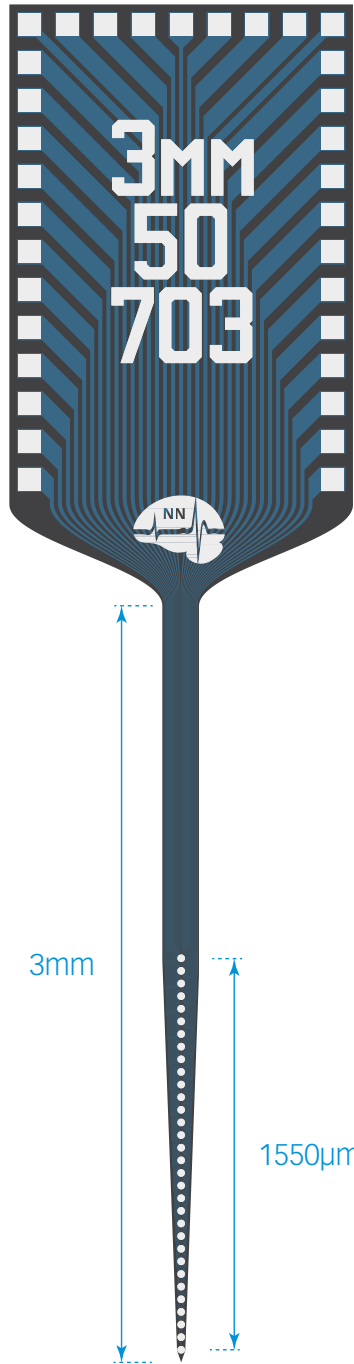
thickness

15 µm

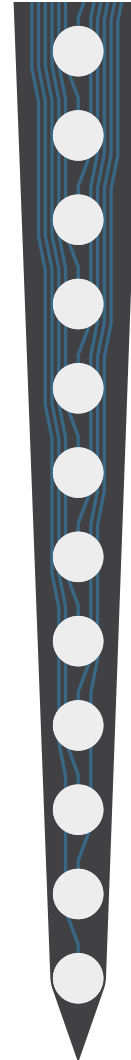


32- Channel Probes

A1x32-3mm-50-703



TIP DETAIL



available
packages

ACUTE

A32

CHRONIC

CM32
H32_21mm
HC32_21mm
HZ32_21mm
Z32

OPTOGENETICS

OA32LP
OA32LP_v2
OCM32LP
OH32LP (oDrive)
OXA32LP (Optogenix)
OZ32LP

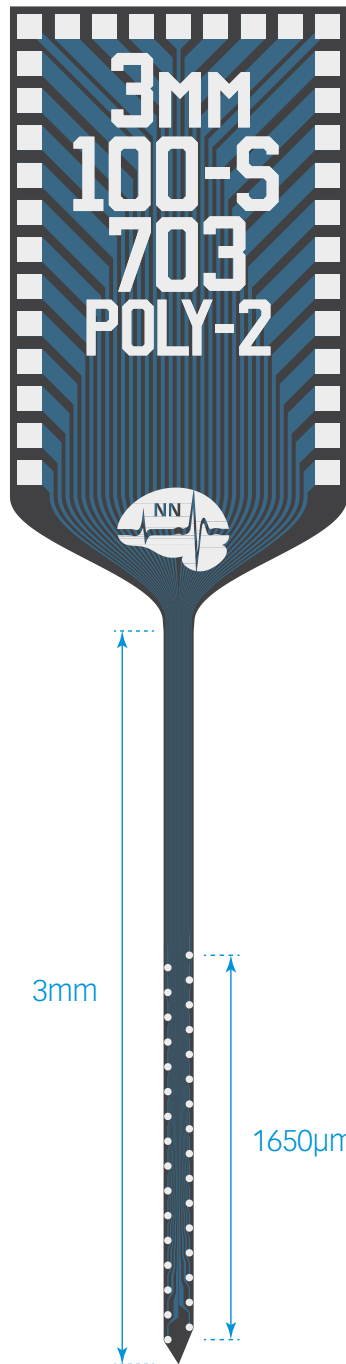
MR-COMPATIBLE

MR_CM32
MR_H32_21mm
MR_HC32_21mm

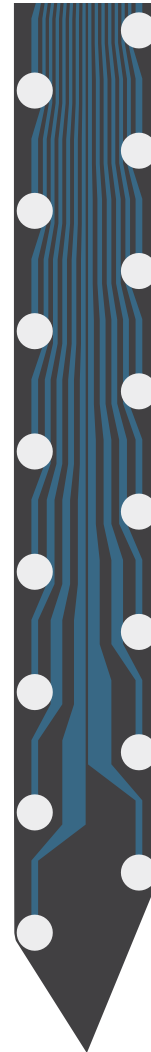
thickness

15 µm

A1x32-Poly2-3mm-100s-703



TIP DETAIL



available packages

ACUTE

A32

CHRONIC

CM32
H32_21mm
HC32_21mm
HZ32_21mm
Z32

OPTOGENETICS

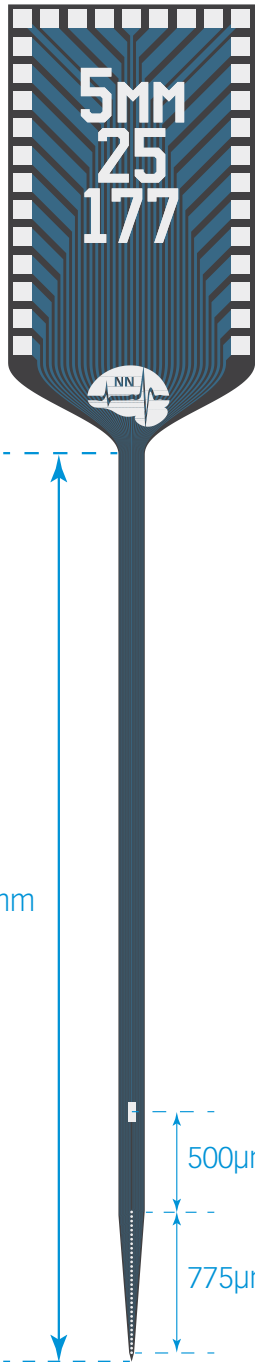
OA32LP
OA32LP_v2
OCM32LP
OH32LP (oDrive)
OXA32LP (Optogenix)
OZ32LP

MR-COMPATIBLE

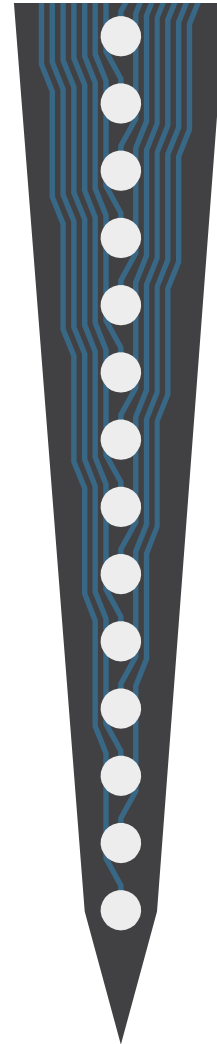
MR_CM32
MR_H32_21mm
MR_HC32_21mm

thickness

15 µm



TIP DETAIL



A1x32-5mm-25-177

available packages

ACUTE
A32

CHRONIC
CM32
H32_21mm
HC32_21mm
HZ32_21mm
Z32

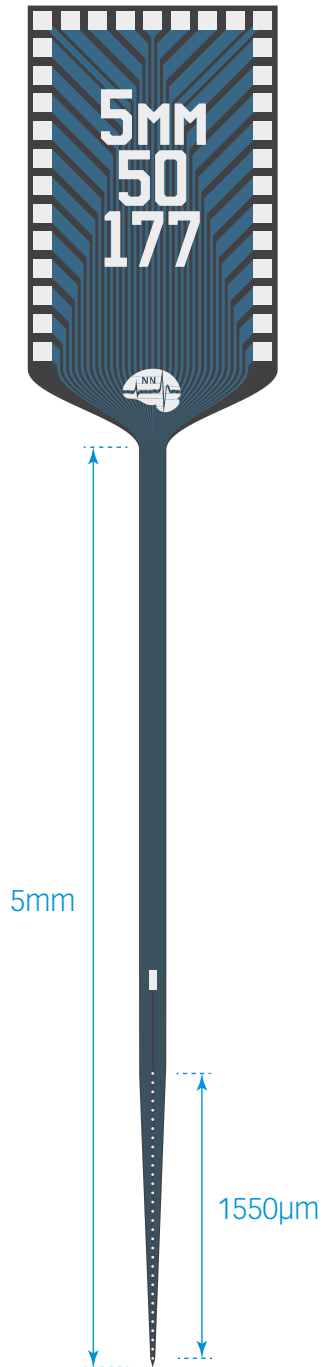
OPTOGENETICS
OA32LP
OA32LP_v2
OCM32LP
OH32LP (oDrive)
OXA32LP (Optogenix)
OZ32LP

MR-COMPATIBLE
MR_CM32
MR_H32_21mm
MR_HC32_21mm

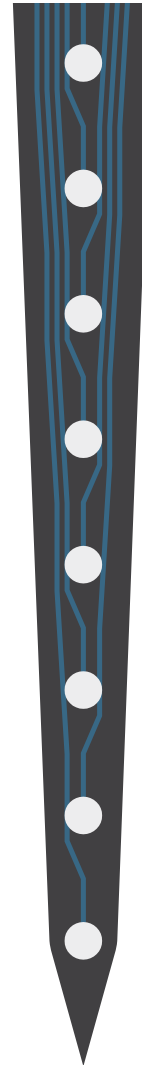
thickness

15 µm
50 µm

A1x32-5mm-50-177



TIP DETAIL



available packages

ACUTE
A32

CHRONIC
CM32
H32_21mm
HC32_21mm
HZ32_21mm
Z32

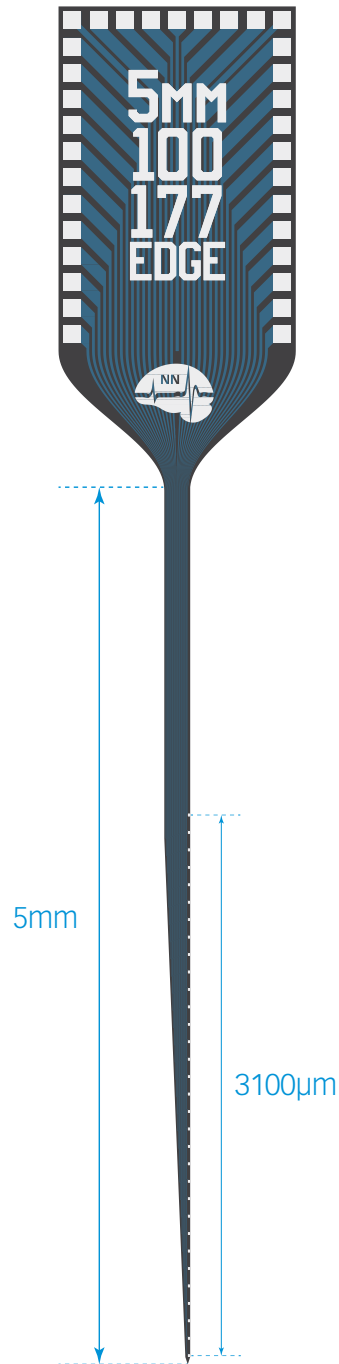
OPTOGENETICS
OA32LP
OA32LP_v2
OCM32LP
OH32LP (oDrive)
OXA32LP (Optogenix)
OZ32LP

MR-COMPATIBLE
MR_CM32
MR_H32_21mm
MR_HC32_21mm

thickness

15 µm
50 µm

A1x32-Edge-5mm-100-177



TIP DETAIL



available packages

ACUTE
A32

CHRONIC
CM32
H32_21mm
HC32_21mm
HZ32_21mm
Z32

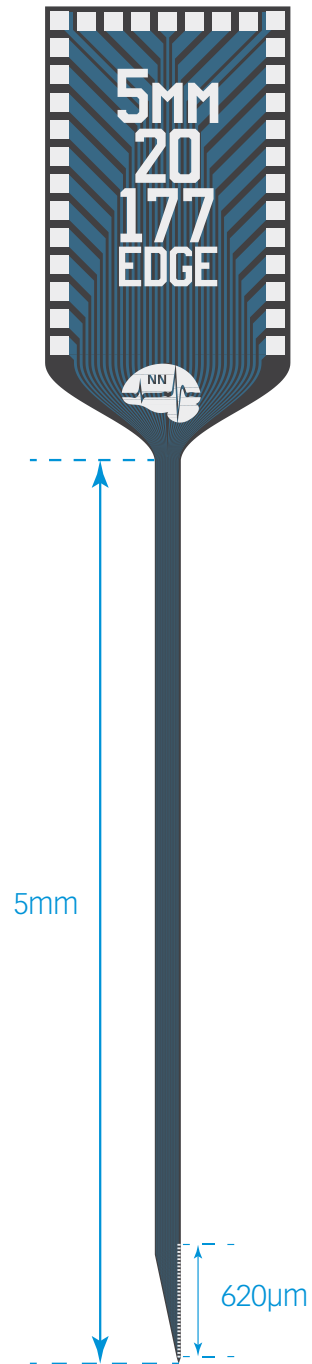
OPTOGENETICS
OA32LP
OA32LP_v2
OCM32LP
OH32LP (oDrive)
OXA32LP (Optogenix)
OZ32LP

MR-COMPATIBLE
MR_CM32
MR_H32_21mm
MR_HC32_21mm

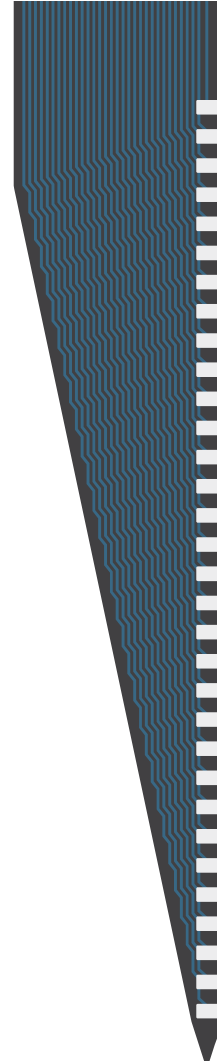
thickness

15 µm

A1x32-Edge-5mm-20-177



TIP DETAIL



available packages

ACUTE

A32

CHRONIC

CM32
H32_21mm
HC32_21mm
HZ32_21mm
Z32

OPTOGENETICS

OA32LP
OA32LP_v2
OCM32LP
OH32LP (oDrive)
OXA32LP (Optogenix)
OZ32LP

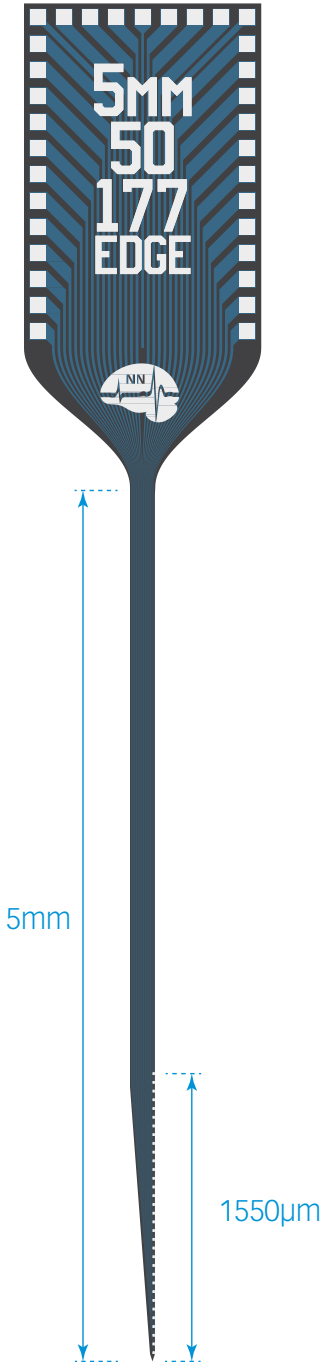
MR-COMPATIBLE

MR_CM32
MR_H32_21mm
MR_HC32_21mm

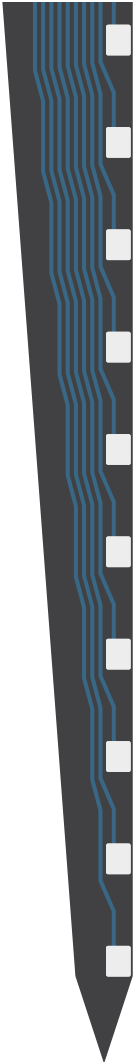
thickness

15 µm
50 µm

A1x32-Edge-5mm-50-177



TIP DETAIL



available packages

ACUTE
A32

CHRONIC
CM32
H32_21mm
HC32_21mm
HZ32_21mm
Z32

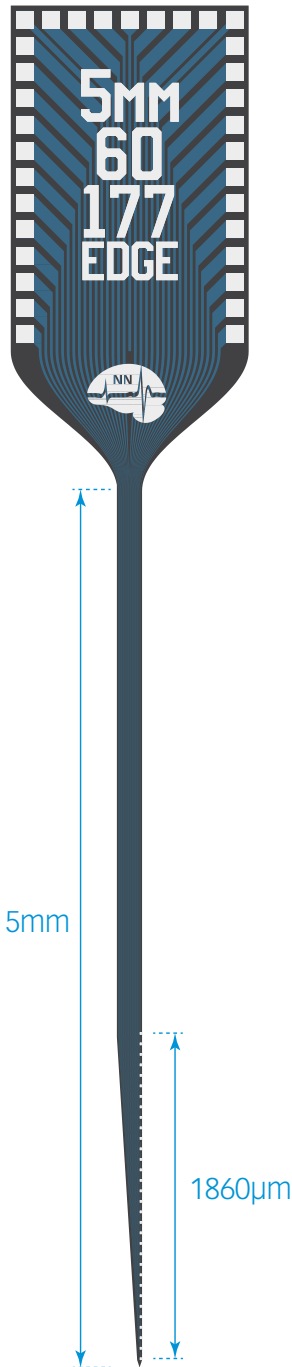
OPTOGENETICS
OA32LP
OA32LP_v2
OCM32LP
OH32LP (oDrive)
OXA32LP (Optogenix)
OZ32LP

MR-COMPATIBLE
MR_CM32
MR_H32_21mm
MR_HC32_21mm

thickness

15 µm

A1x32-Edge-5mm-60-177



TIP DETAIL



available packages

ACUTE

A32

CHRONIC

CM32
H32_21mm
HC32_21mm
HZ32_21mm
Z32

OPTOGENETICS

OA32LP
OA32LP_v2
OCM32LP
OH32LP (oDrive)
OXA32LP (Optogenix)
OZ32LP

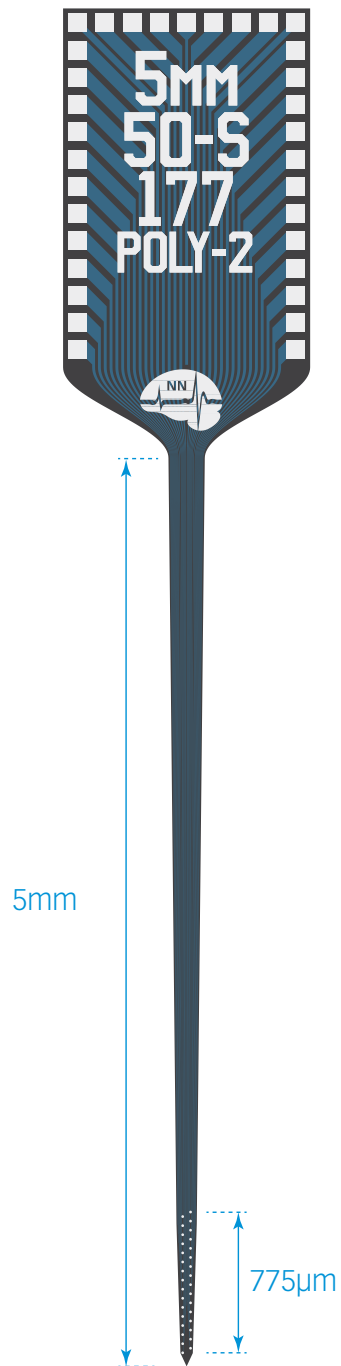
MR-COMPATIBLE

MR_CM32
MR_H32_21mm
MR_HC32_21mm

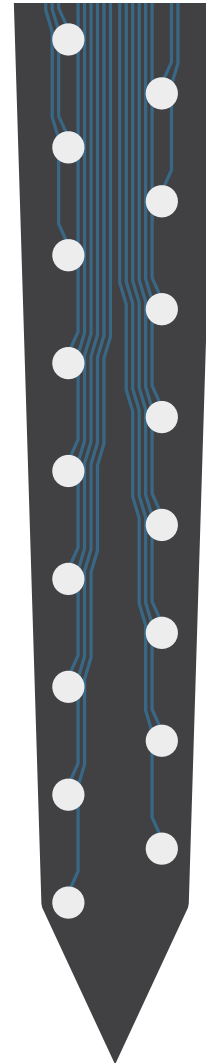
thickness

15 µm

A1x32-Poly2-5mm-50s-177



TIP DETAIL



available
packages

ACUTE

A32

CHRONIC

CM32
H32_21mm
HC32_21mm
HZ32_21mm
Z32

OPTOGENETICS

OA32LP
OA32LP_v2
OCM32LP
OH32LP (oDrive)
OXA32LP (Optogenix)
OZ32LP

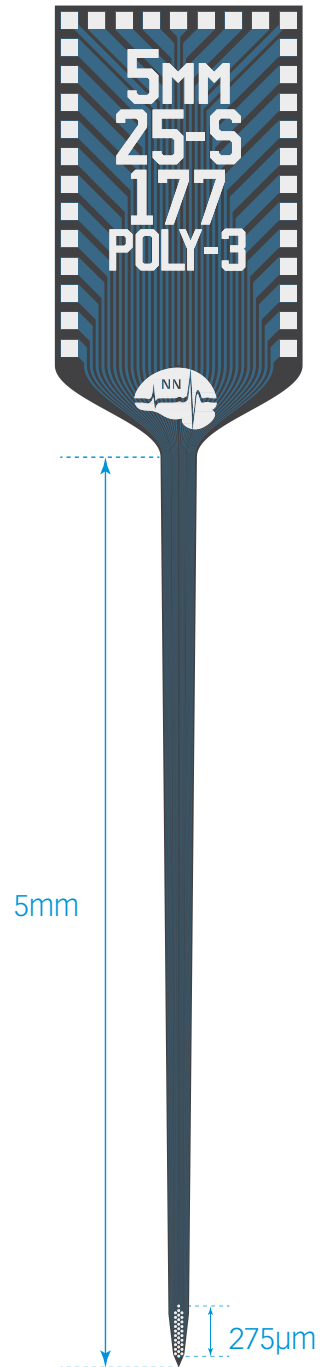
MR-COMPATIBLE

MR_CM32
MR_H32_21mm
MR_HC32_21mm

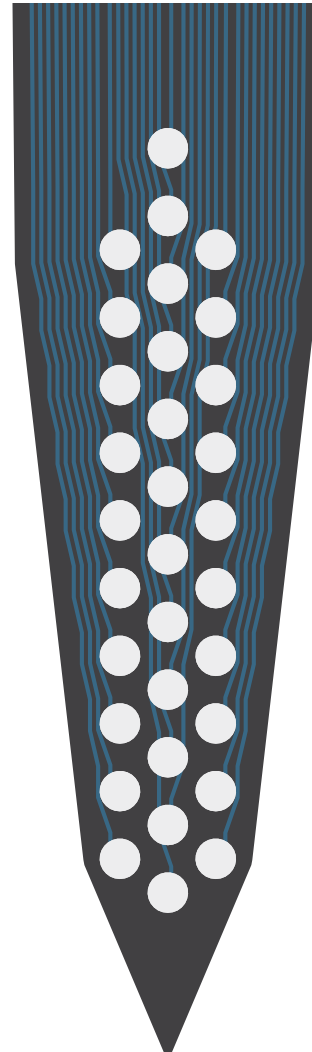
thickness

15 µm

A1x32-Poly3-5mm-25s-177



TIP DETAIL



available packages

ACUTE

A32

CHRONIC

CM32
H32_21mm
HC32_21mm
HZ32_21mm
Z32

OPTOGENETICS

OA32LP
OA32LP_v2
OCM32LP
OH32LP (oDrive)
OXA32LP (Optogenix)
OZ32LP

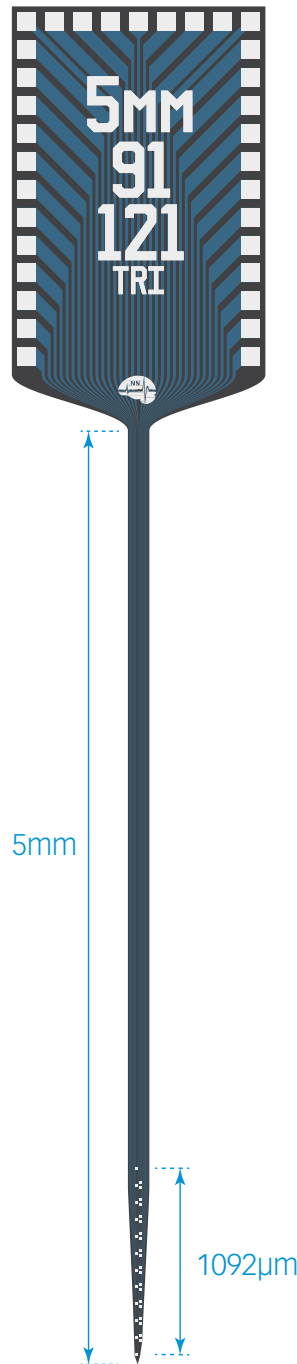
MR-COMPATIBLE

MR_CM32
MR_H32_21mm
MR_HC32_21mm

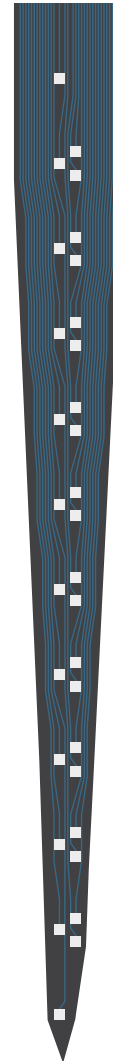
thickness

15 µm
50 µm

A1x32-tri-5mm-91-121



TIP DETAIL



available
packages

ACUTE

A32

CHRONIC

CM32
H32_21mm
HC32_21mm
HZ32_21mm
Z32

OPTOGENETICS

OA32LP
OA32LP_v2
OCM32LP
OH32LP (oDrive)
OXA32LP (Optogenix)
OZ32LP

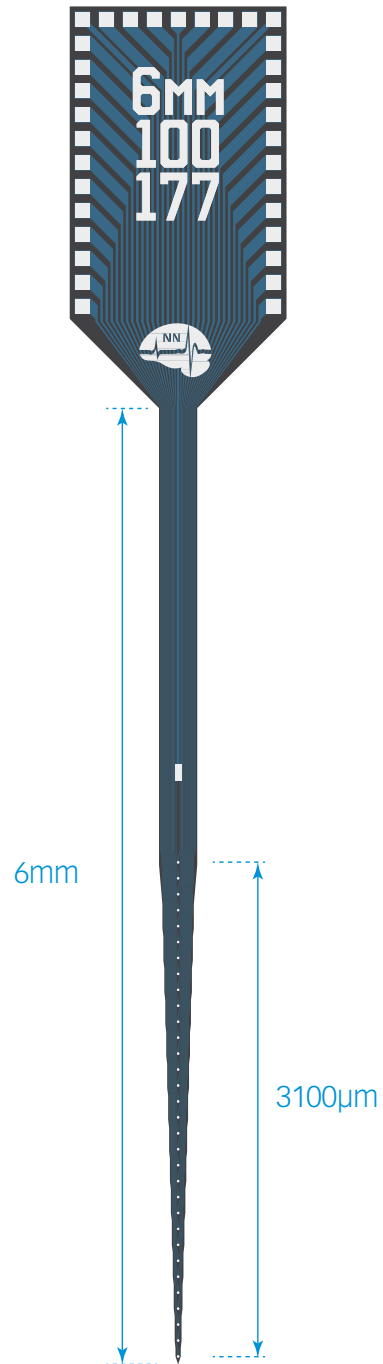
MR-COMPATIBLE

MR_CM32
MR_H32_21mm
MR_HC32_21mm

thickness

15 µm

A1x32-6mm-100-177



TIP DETAIL



available packages

ACUTE
A32

CHRONIC
CM32
H32_21mm
HC32_21mm
HZ32_21mm
Z32

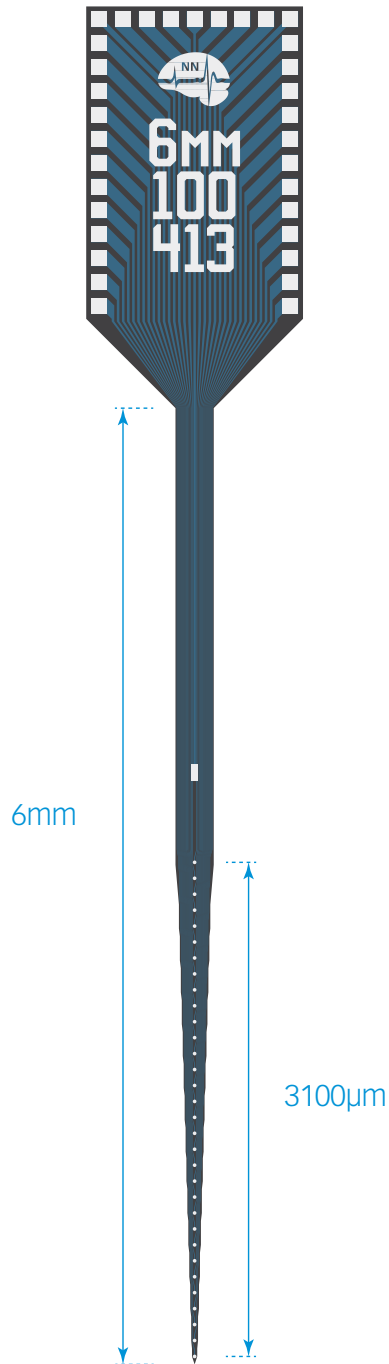
OPTOGENETICS
OA32LP
OA32LP_v2
OCM32LP
OH32LP (oDrive)
OXA32LP (Optogenix)
OZ32LP

MR-COMPATIBLE
MR_CM32
MR_H32_21mm
MR_HC32_21mm

thickness

15 µm
50 µm

A1x32-6mm-100-413



TIP DETAIL



available packages

ACUTE

A32

CHRONIC

CM32
H32_21mm
HC32_21mm
HZ32_21mm
Z32

OPTOGENETICS

OA32LP
OA32LP_v2
OCM32LP
OH32LP (oDrive)
OXA32LP (Optogenix)
OZ32LP

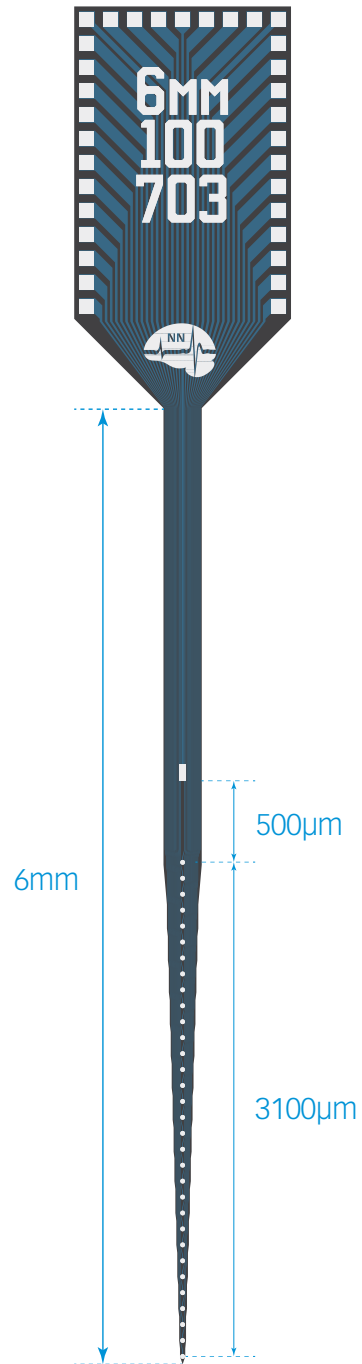
MR-COMPATIBLE

MR_CM32
MR_H32_21mm
MR_HC32_21mm

thickness

50 µm

A1x32-6mm-100-703



TIP DETAIL



available packages

ACUTE

A32

CHRONIC

CM32
H32_21mm
HC32_21mm
HZ32_21mm
Z32

OPTOGENETICS

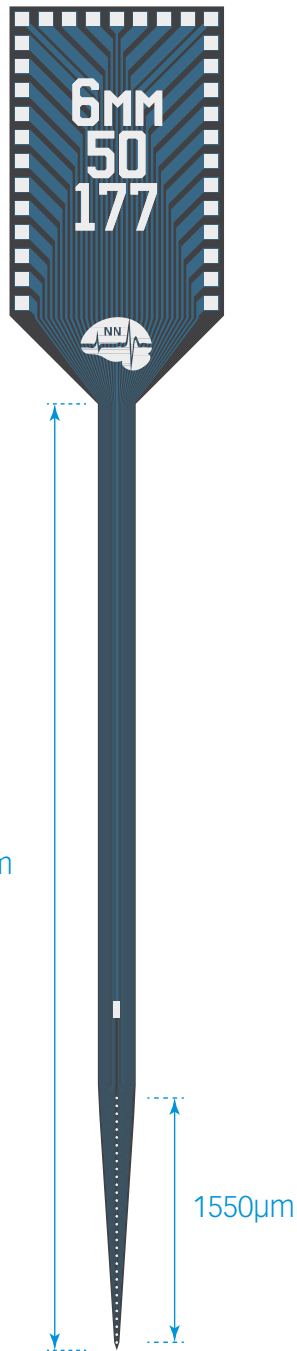
OA32LP
OA32LP_v2
OCM32LP
OH32LP (oDrive)
OXA32LP (Optogenix)
OZ32LP

MR-COMPATIBLE

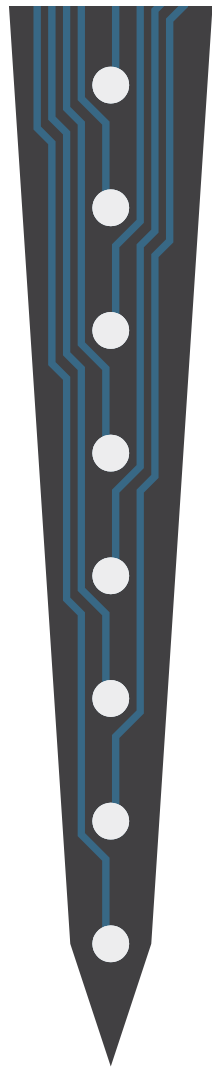
MR_CM32
MR_H32_21mm
MR_HC32_21mm

thickness

15 µm
50 µm



TIP DETAIL



A1x32-6mm-50-177

available packages

ACUTE
A32

CHRONIC
CM32
H32_21mm
HC32_21mm
HZ32_21mm
Z32

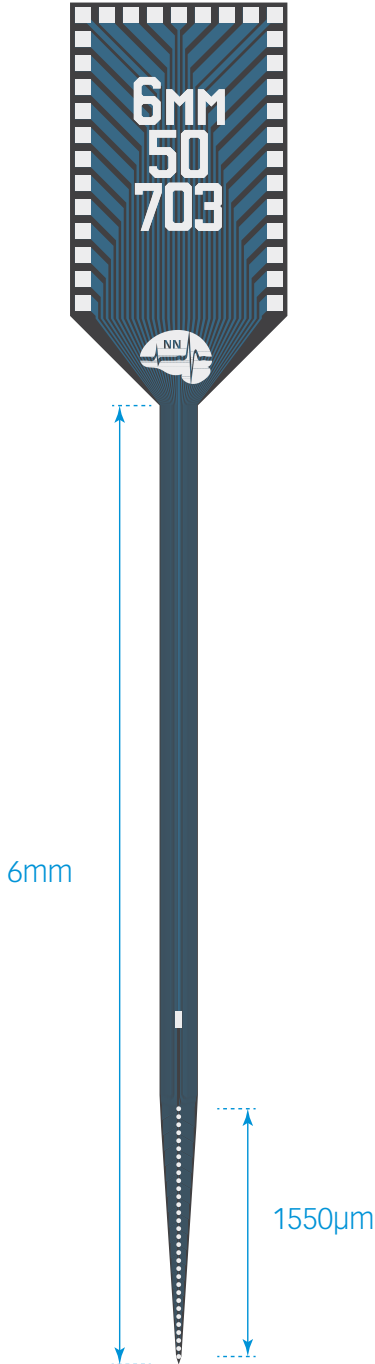
OPTOGENETICS
OA32LP
OA32LP_v2
OCM32LP
OH32LP (oDrive)
OXA32LP (Optogenix)
OZ32LP

MR-COMPATIBLE
MR_CM32
MR_H32_21mm
MR_HC32_21mm

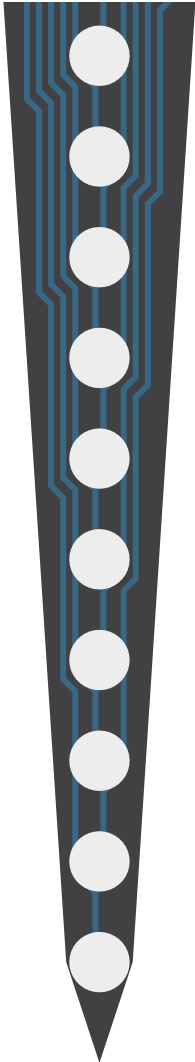
thickness

15 µm
50 µm

A1x32-6mm-50-703



TIP DETAIL



available packages

ACUTE
A32

CHRONIC
CM32
H32_21mm
HC32_21mm
HZ32_21mm
Z32

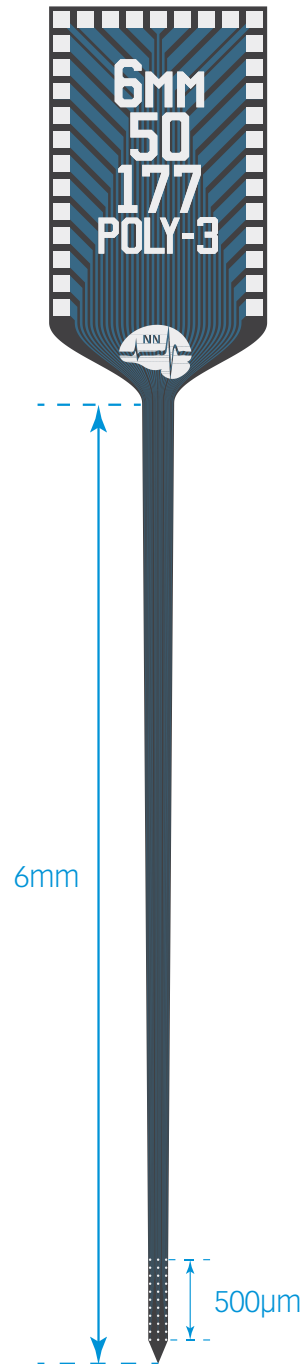
OPTOGENETICS
OA32LP
OA32LP_v2
OCM32LP
OH32LP (oDrive)
OXA32LP (Optogenix)
OZ32LP

MR-COMPATIBLE
MR_CM32
MR_H32_21mm
MR_HC32_21mm

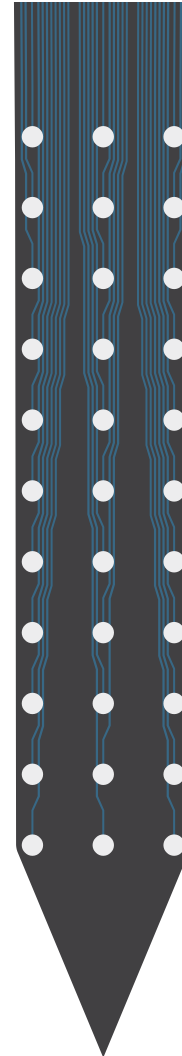
thickness

15 µm
50 µm

A1x32-Poly3-6mm-50-177



TIP DETAIL



available packages

ACUTE
A32

CHRONIC
CM32
H32_21mm
HC32_21mm
HZ32_21mm
Z32

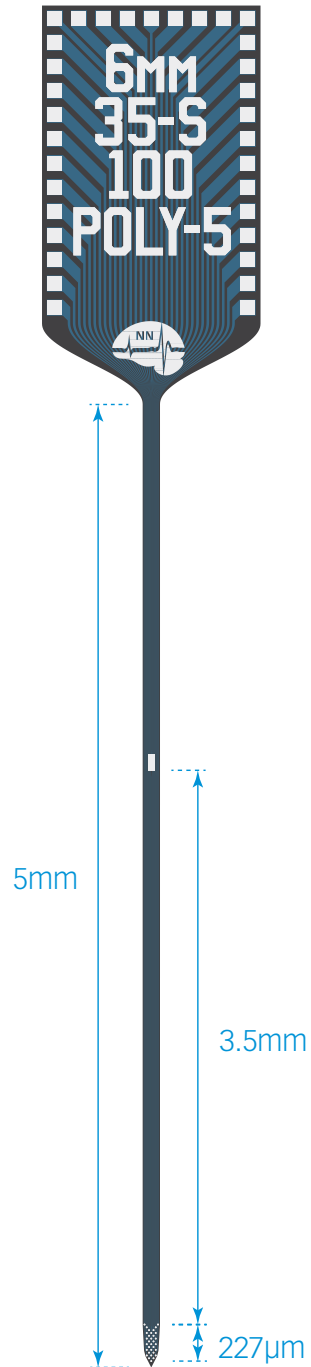
OPTOGENETICS
OA32LP
OA32LP_v2
OCM32LP
OH32LP (oDrive)
OXA32LP (Optogenix)
OZ32LP

MR-COMPATIBLE
MR_CM32
MR_H32_21mm
MR_HC32_21mm

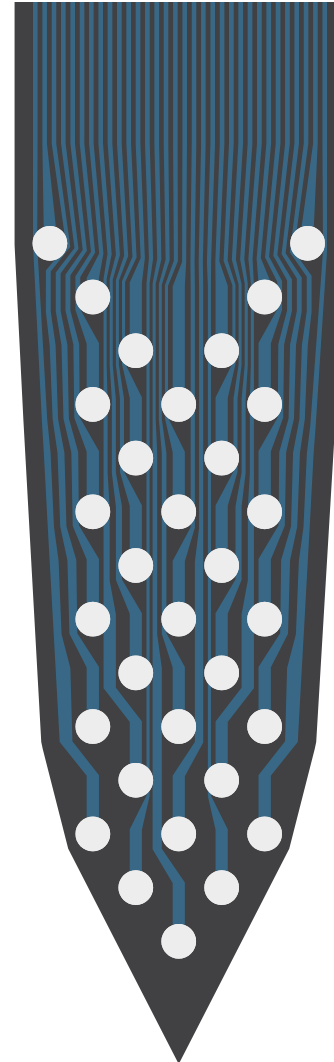
thickness

15 µm
50 µm

A1x32-Poly5-6mm-35s-100



TIP DETAIL



available packages

ACUTE
A32

CHRONIC
CM32
H32_21mm
HC32_21mm
HZ32_21mm
Z32

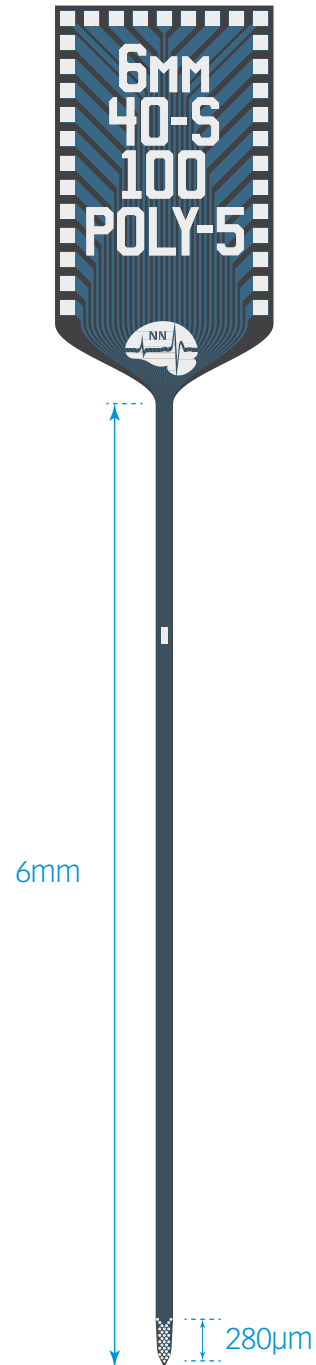
OPTOGENETICS
OA32LP
OA32LP_v2
OCM32LP
OH32LP (oDrive)
OXA32LP (Optogenix)
OZ32LP

MR-COMPATIBLE
MR_CM32
MR_H32_21mm
MR_HC32_21mm

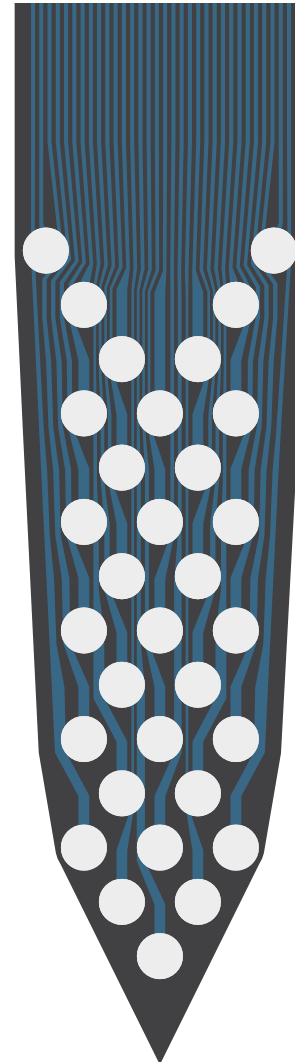
thickness

15 µm

A1x32-Poly5-6mm-40s-225



TIP DETAIL



available packages

ACUTE

A32

CHRONIC

CM32
H32_21mm
HC32_21mm
HZ32_21mm
Z32

OPTOGENETICS

OA32LP
OA32LP_v2
OCM32LP
OH32LP (oDrive)
OXA32LP (Optogenix)
OZ32LP

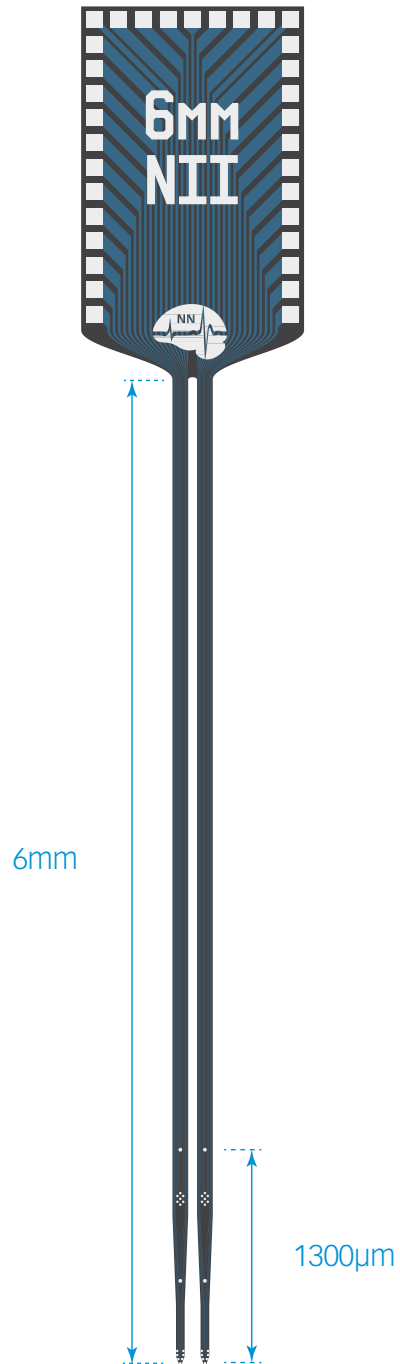
MR-COMPATIBLE

MR_CM32
MR_H32_21mm
MR_HC32_21mm

thickness

15 µm

A2x16_nii (A2x16-Buz_Lin_Poly3-6mm-var-150-var)



TIP DETAIL



available packages

ACUTE
A32

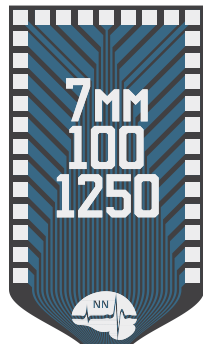
CHRONIC
CM32
H32_21mm
HC32_21mm
HZ32_21mm
Z32

OPTOGENETICS
OA32LP
OA32LP_v2
OCM32LP
OH32LP (oDrive)
OXA32LP (Optogenix)
OZ32LP

MR-COMPATIBLE
MR_CM32
MR_H32_21mm
MR_HC32_21mm

thickness

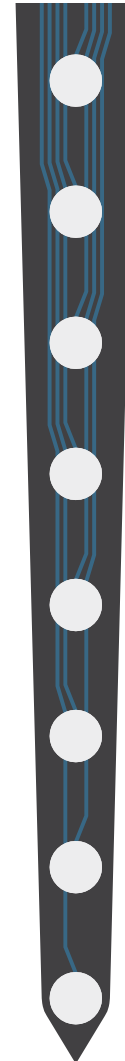
15 µm



7mm

3100µm

TIP DETAIL



A1x32-7mm-100-1250

available packages

ACUTE

A32

CHRONIC

CM32
H32_21mm
HC32_21mm
HZ32_21mm
Z32

OPTOGENETICS

OA32LP
OA32LP_v2
OCM32LP
OH32LP (oDrive)
OXA32LP (Optogenix)
OZ32LP

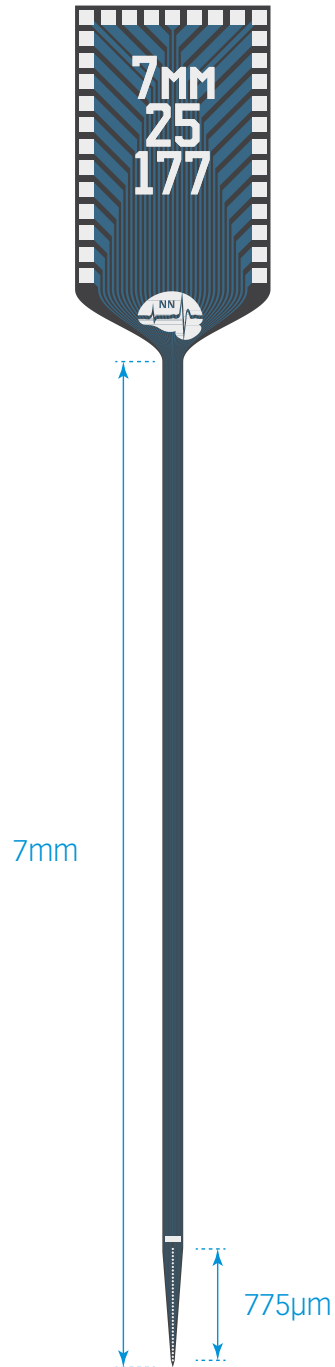
MR-COMPATIBLE

MR_CM32
MR_H32_21mm
MR_HC32_21mm

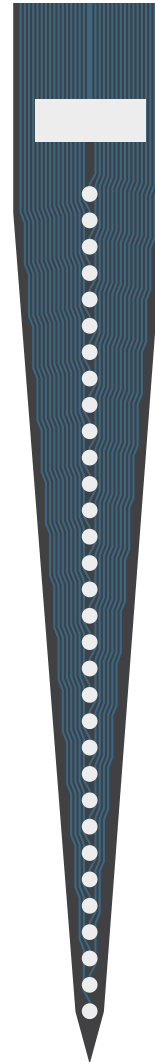
thickness

15 µm
50 µm

A1X32-7mm-25-177



TIP DETAIL



available packages

ACUTE
A32

CHRONIC
CM32
H32_21mm
HC32_21mm
HZ32_21mm
Z32

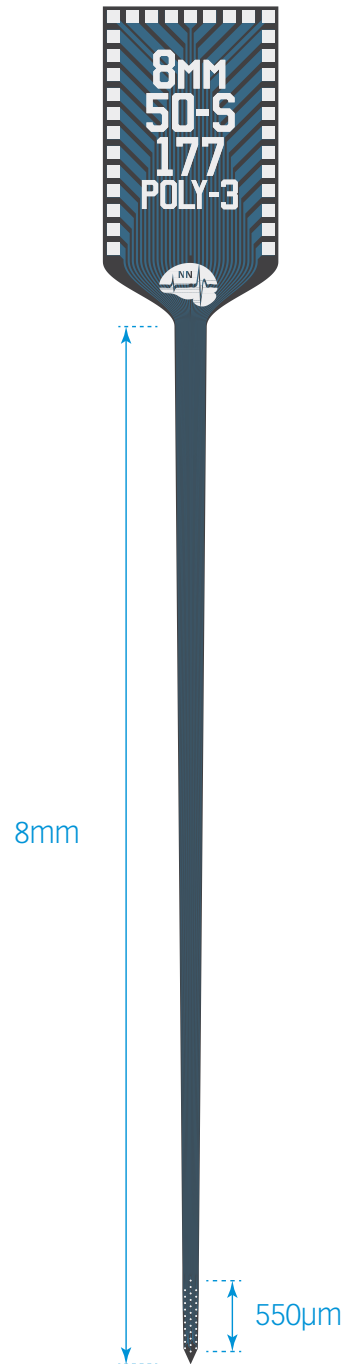
OPTOGENETICS
OA32LP
OA32LP_v2
OCM32LP
OH32LP (oDrive)
OXA32LP (Optogenix)
OZ32LP

MR-COMPATIBLE
MR_CM32
MR_H32_21mm
MR_HC32_21mm

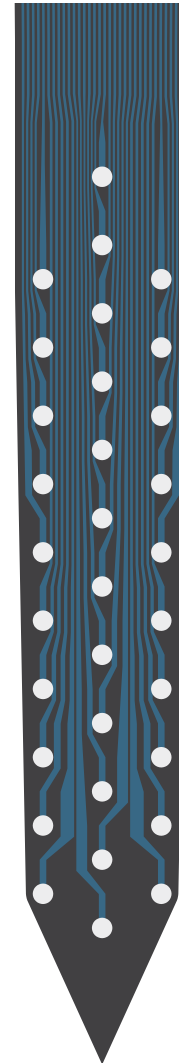
thickness

50 µm

A1x32-Poly3-8mm-50s-177



TIP DETAIL



available packages

ACUTE

A32

CHRONIC

CM32
H32_21mm
HC32_21mm
HZ32_21mm
Z32

OPTOGENETICS

OA32LP
OA32LP_v2
OCM32LP
OH32LP (oDrive)
OXA32LP (Optogenix)
OZ32LP

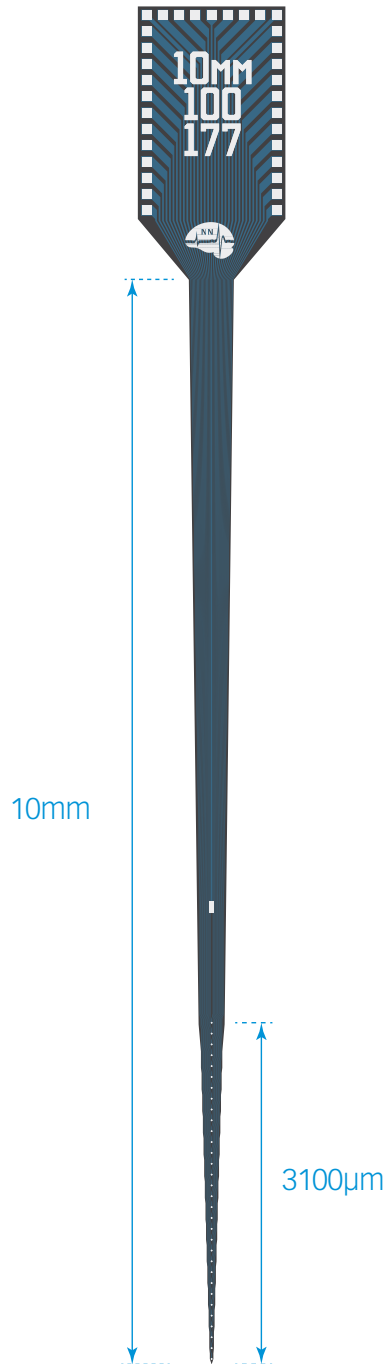
MR-COMPATIBLE

MR_CM32
MR_H32_21mm
MR_HC32_21mm

thickness

50 µm

A1x32-10mm-100-177



TIP DETAIL



available packages

ACUTE

A32

CHRONIC

CM32
H32_21mm
HC32_21mm
HZ32_21mm
Z32

OPTOGENETICS

OA32LP
OA32LP_v2
OCM32LP
OH32LP (oDrive)
OXA32LP (Optogenix)
OZ32LP

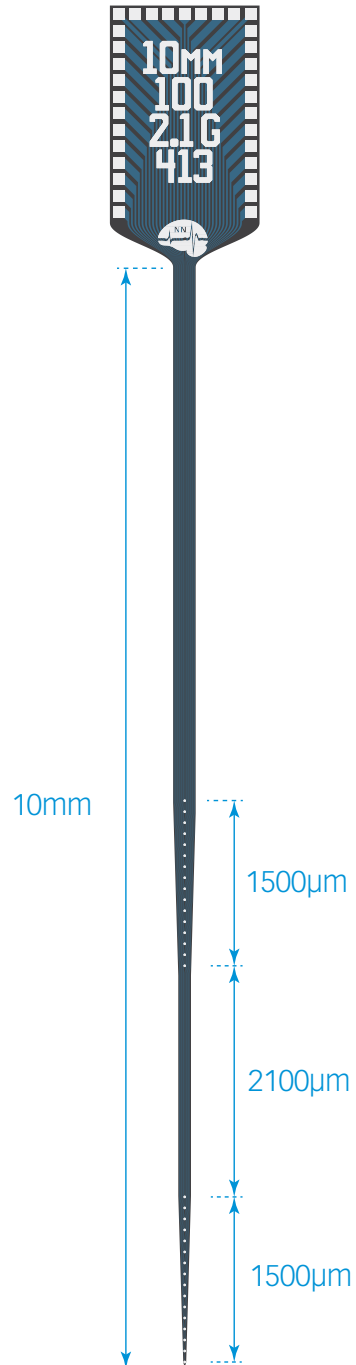
MR-COMPATIBLE

MR_CM32
MR_H32_21mm
MR_HC32_21mm

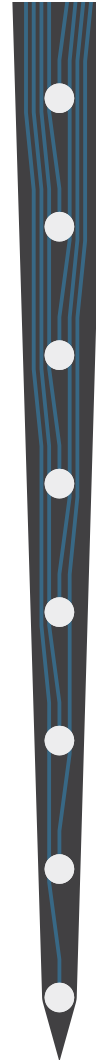
thickness

15 µm
50 µm

A1x32-10mm-100-2.1gap-413



TIP DETAIL



available packages

ACUTE
A32

CHRONIC
CM32
H32_21mm
HC32_21mm
HZ32_21mm
Z32

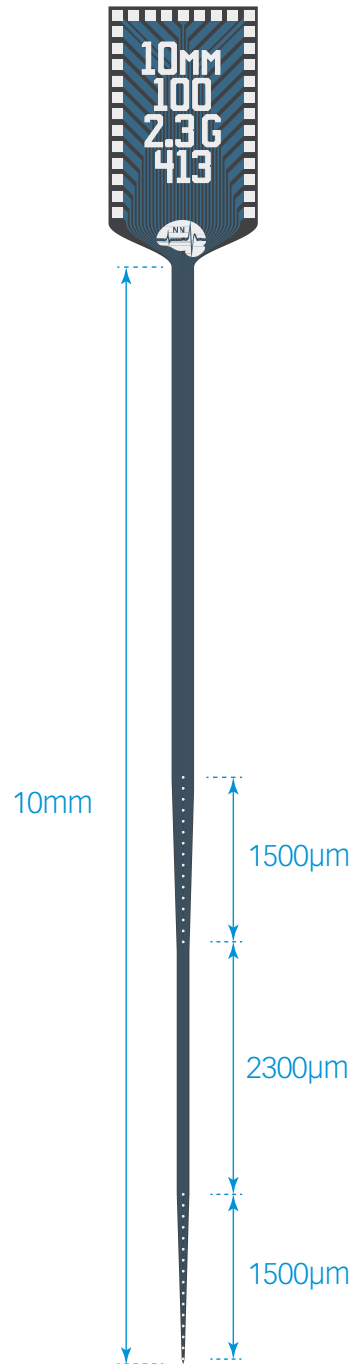
OPTOGENETICS
OA32LP
OA32LP_v2
OCM32LP
OH32LP (oDrive)
OXA32LP (Optogenix)
OZ32LP

MR-COMPATIBLE
MR_CM32
MR_H32_21mm
MR_HC32_21mm

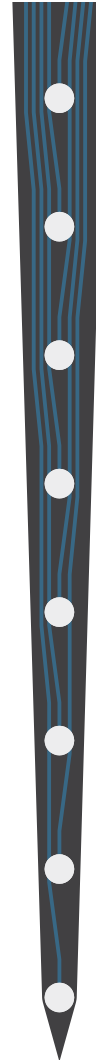
thickness

15 µm

A1X32-10mm-100-2.3gap-413



TIP DETAIL



available packages

ACUTE

A32

CHRONIC

CM32
H32_21mm
HC32_21mm
HZ32_21mm
Z32

OPTOGENETICS

OA32LP
OA32LP_v2
OCM32LP
OH32LP (oDrive)
OXA32LP (Optogenix)
OZ32LP

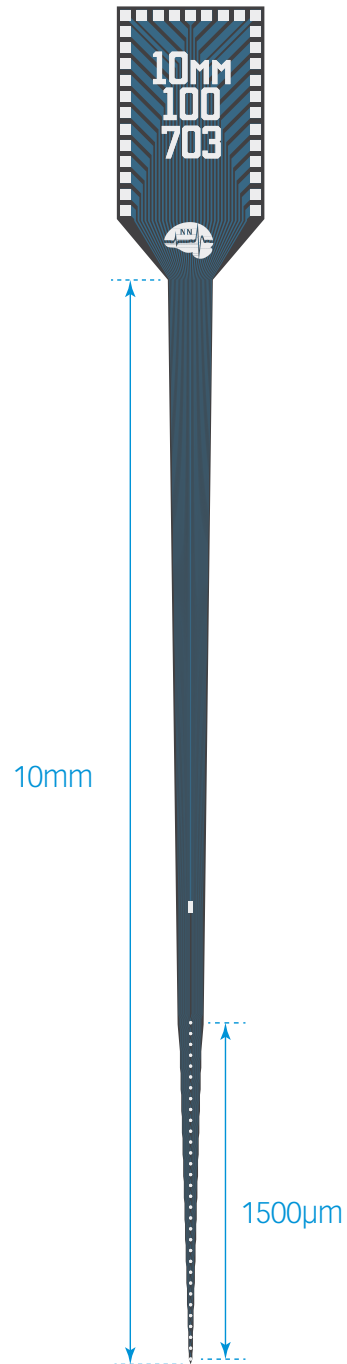
MR-COMPATIBLE

MR_CM32
MR_H32_21mm
MR_HC32_21mm

thickness

15 μ m

A1x32-10mm-100-703



TIP DETAIL



available packages

ACUTE

A32

CHRONIC

CM32
H32_21mm
HC32_21mm
HZ32_21mm
Z32

OPTOGENETICS

OA32LP
OA32LP_v2
OCM32LP
OH32LP (oDrive)
OXA32LP (Optogenix)
OZ32LP

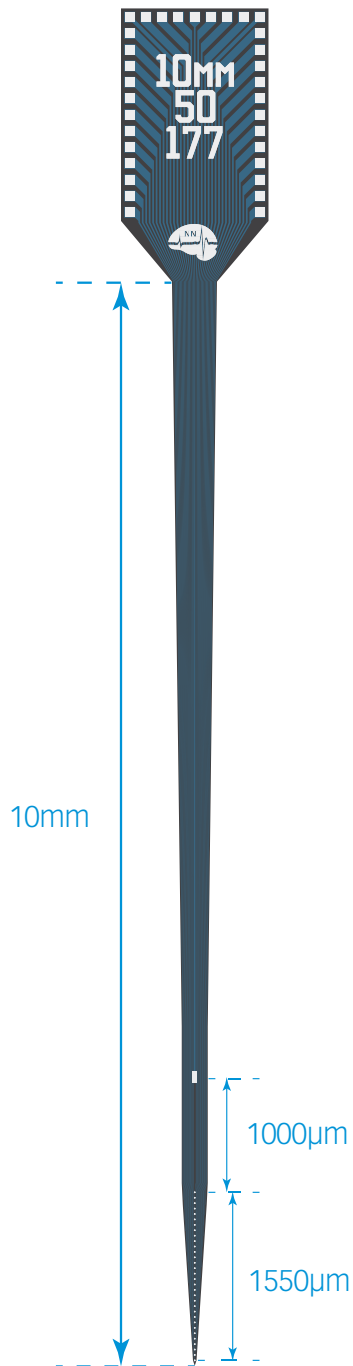
MR-COMPATIBLE

MR_CM32
MR_H32_21mm
MR_HC32_21mm

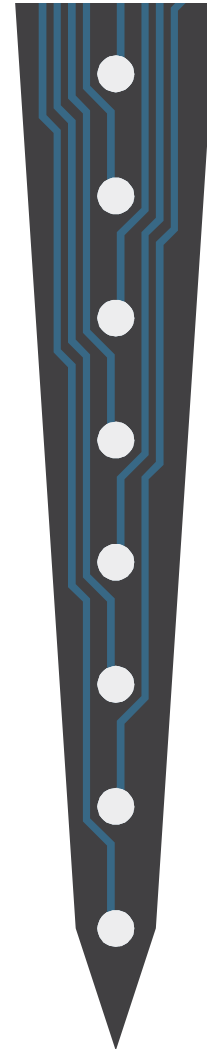
thickness

50 µm

A1x32-10mm-50-177



TIP DETAIL



available packages

ACUTE
A32

CHRONIC
CM32
H32_21mm
HC32_21mm
HZ32_21mm
Z32

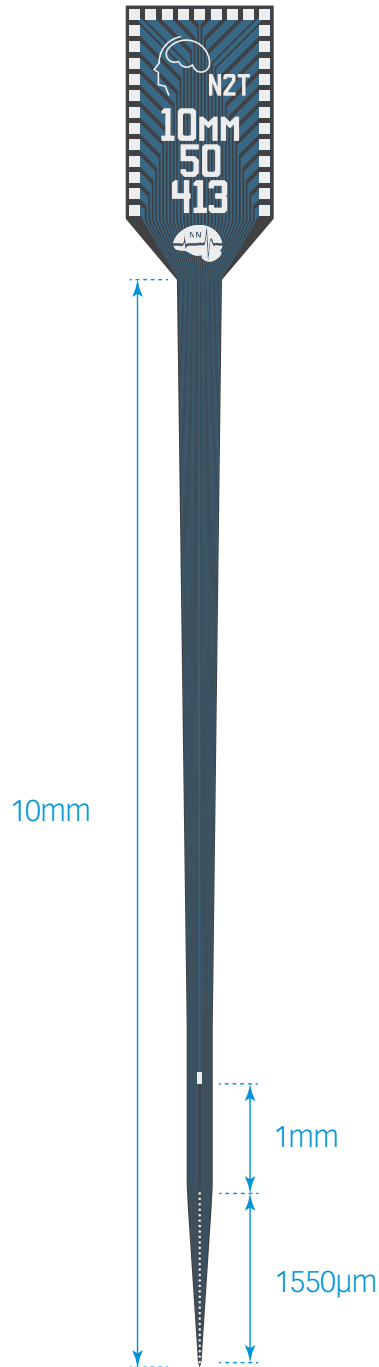
OPTOGENETICS
OA32LP
OA32LP_v2
OCM32LP
OH32LP (oDrive)
OXA32LP (Optogenix)
OZ32LP

MR-COMPATIBLE
MR_CM32
MR_H32_21mm
MR_HC32_21mm

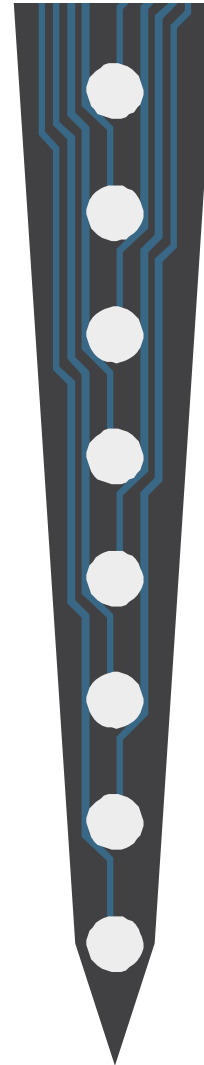
thickness

15 µm
50 µm

A1x32-10mm-50-413



TIP DETAIL



available packages

ACUTE
A32

CHRONIC
CM32
H32_21mm
HC32_21mm
HZ32_21mm
Z32

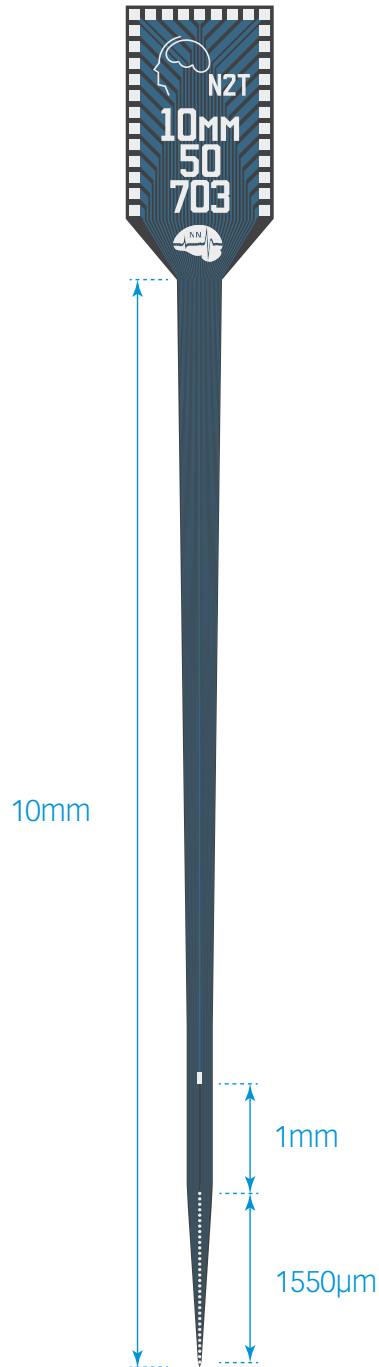
OPTOGENETICS
OA32LP
OA32LP_v2
OCM32LP
OH32LP (oDrive)
OXA32LP (Optogenix)
OZ32LP

MR-COMPATIBLE
MR_CM32
MR_H32_21mm
MR_HC32_21mm

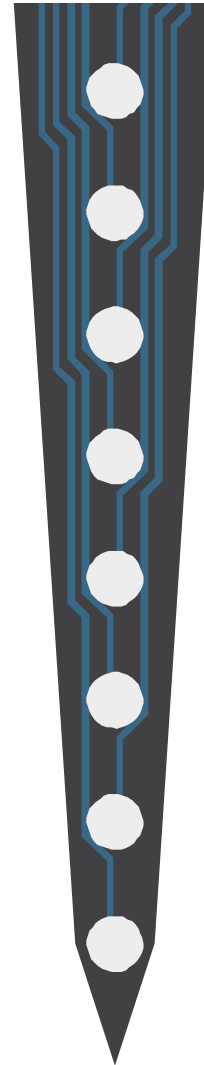
thickness

15 µm
50 µm

A1x32-10mm-50-703



TIP DETAIL



available packages

ACUTE
A32

CHRONIC
CM32
H32_21mm
HC32_21mm
HZ32_21mm
Z32

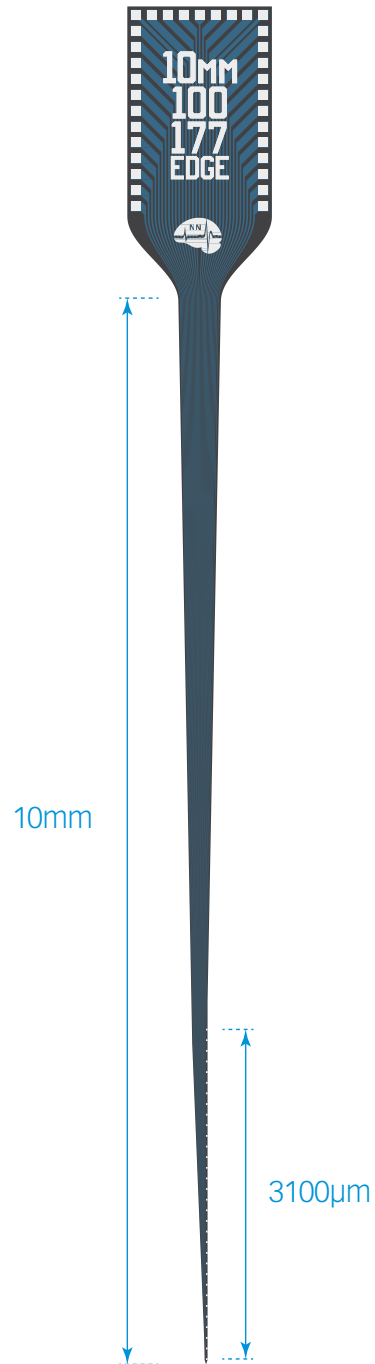
OPTOGENETICS
OA32LP
OA32LP_v2
OCM32LP
OH32LP (oDrive)
OXA32LP (Optogenix)
OZ32LP

MR-COMPATIBLE
MR_CM32
MR_H32_21mm
MR_HC32_21mm

thickness

15 µm
50 µm

A1x32-Edge-10mm-100-177



TIP DETAIL



available packages

ACUTE
A32

CHRONIC
CM32
H32_21mm
HC32_21mm
HZ32_21mm
Z32

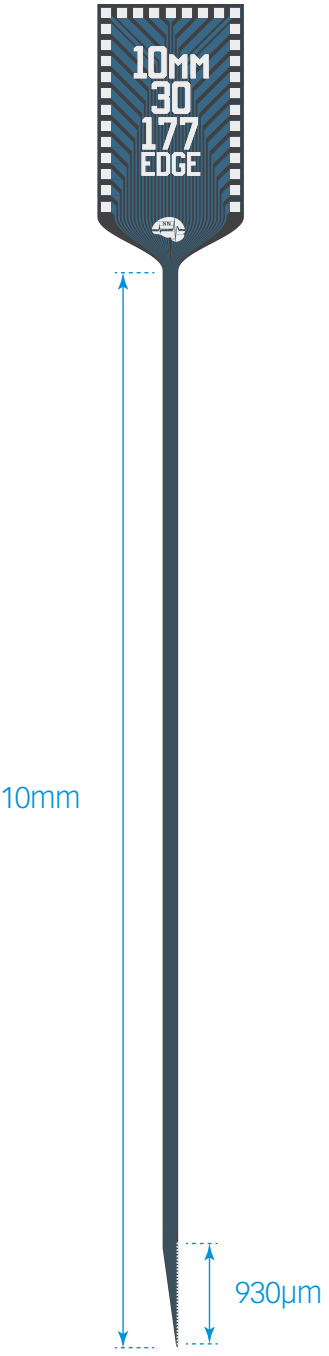
OPTOGENETICS
OA32LP
OA32LP_v2
OCM32LP
OH32LP (oDrive)
OXA32LP (Optogenix)
OZ32LP

MR-COMPATIBLE
MR_CM32
MR_H32_21mm
MR_HC32_21mm

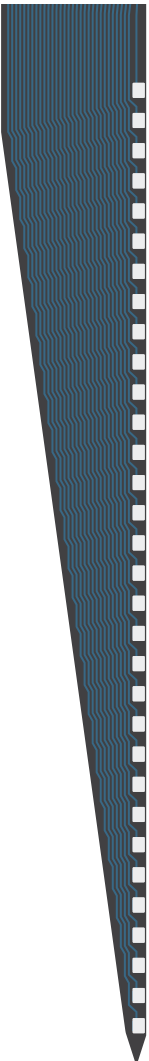
thickness

50 µm

A1x32-Edge-10mm-30-177



TIP DETAIL



available packages

ACUTE
A32

CHRONIC
CM32
H32_21mm
HC32_21mm
HZ32_21mm
Z32

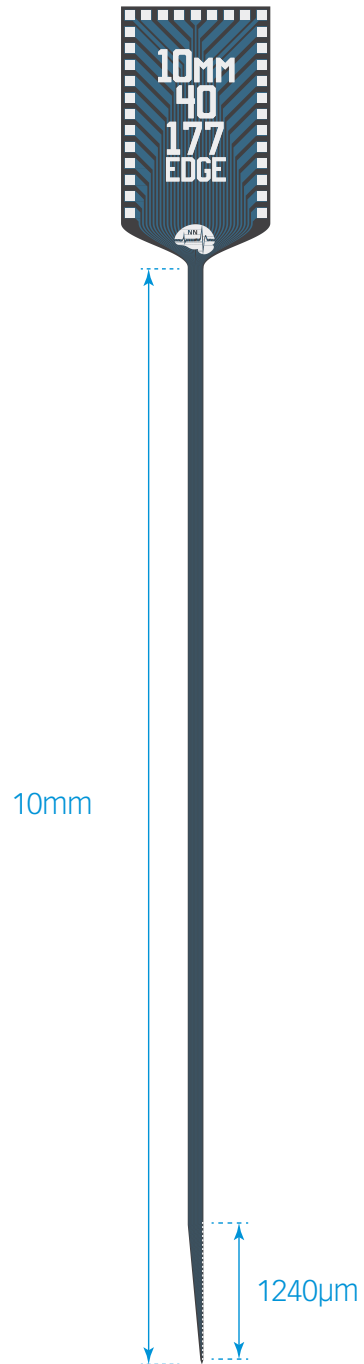
OPTOGENETICS
OA32LP
OA32LP_v2
OCM32LP
OH32LP (oDrive)
OXA32LP (Optogenix)
OZ32LP

MR-COMPATIBLE
MR_CM32
MR_H32_21mm
MR_HC32_21mm

thickness

50 µm

A1x32-Edge-10mm-40-177



TIP DETAIL



available packages

ACUTE

A32

CHRONIC

CM32
H32_21mm
HC32_21mm
HZ32_21mm
Z32

OPTOGENETICS

OA32LP
OA32LP_v2
OCM32LP
OH32LP (oDrive)
OXA32LP (Optogenix)
OZ32LP

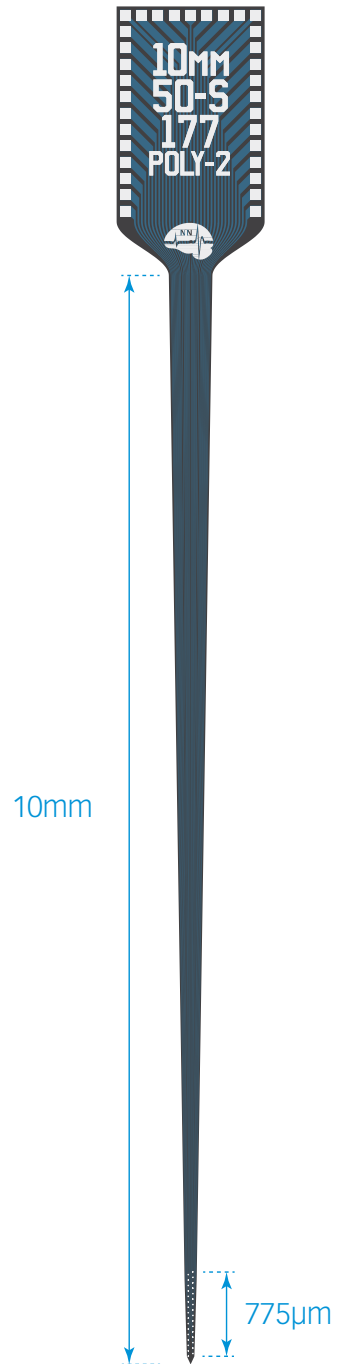
MR-COMPATIBLE

MR_CM32
MR_H32_21mm
MR_HC32_21mm

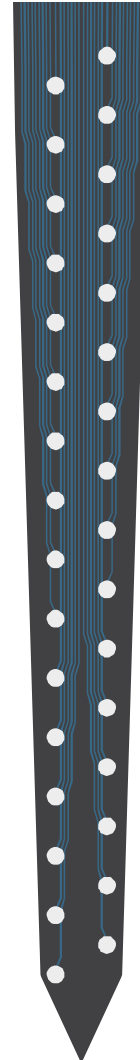
thickness

15 µm

A1x32-Poly2-10mm-50s-177



TIP DETAIL



available packages

ACUTE
A32

CHRONIC
CM32
H32_21mm
HC32_21mm
HZ32_21mm
Z32

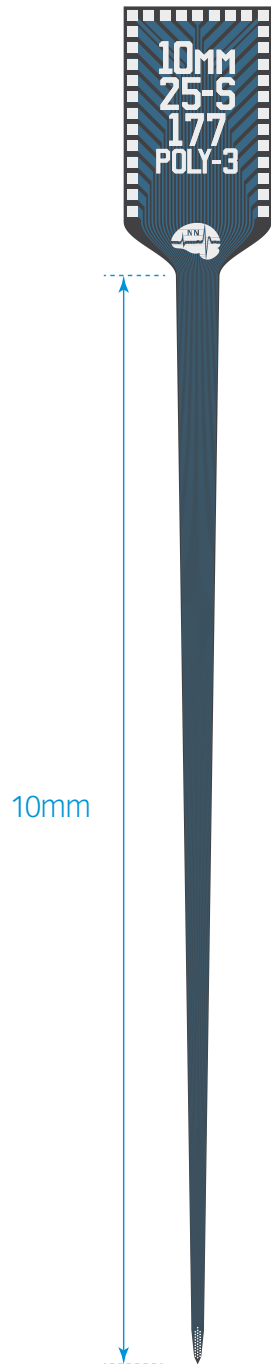
OPTOGENETICS
OA32LP
OA32LP_v2
OCM32LP
OH32LP (oDrive)
OXA32LP (Optogenix)
OZ32LP

MR-COMPATIBLE
MR_CM32
MR_H32_21mm
MR_HC32_21mm

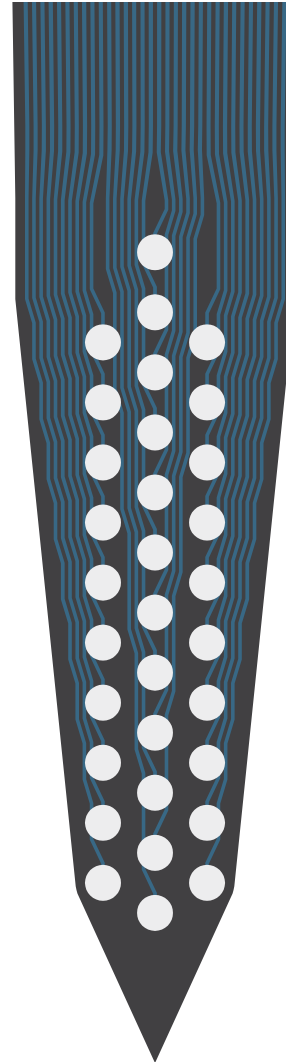
thickness

50 µm

A1x32-Poly3-10mm-25s-177



TIP DETAIL



available packages

ACUTE

A32

CHRONIC

CM32
H32_21mm
HC32_21mm
HZ32_21mm
Z32

OPTOGENETICS

OA32LP
OA32LP_v2
OCM32LP
OH32LP (oDrive)
OXA32LP (Optogenix)
OZ32LP

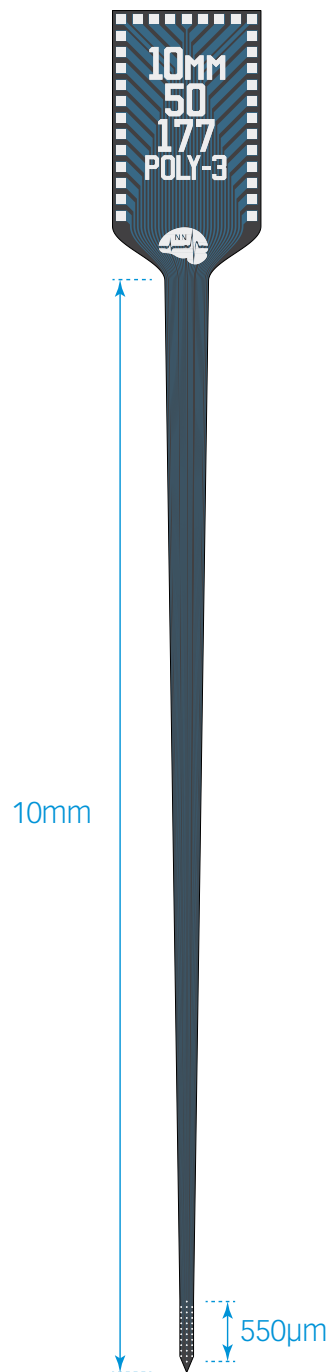
MR-COMPATIBLE

MR_CM32
MR_H32_21mm
MR_HC32_21mm

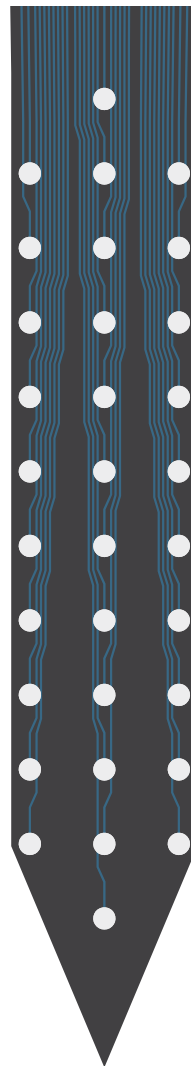
thickness

15 μm
50 μm

A1x32-Poly3-10mm-50-177



TIP DETAIL



available packages

ACUTE

A32

CHRONIC

CM32
H32_21mm
HC32_21mm
HZ32_21mm
Z32

OPTOGENETICS

OA32LP
OA32LP_v2
OCM32LP
OH32LP (oDrive)
OXA32LP (Optogenix)
OZ32LP

MR-COMPATIBLE

MR_CM32
MR_H32_21mm
MR_HC32_21mm

thickness

15 µm



15mm

3100µm

TIP DETAIL

A1x32-15mm-100-177



available packages

ACUTE

A32

CHRONIC

CM32
H32_21mm
HC32_21mm
HZ32_21mm
Z32

OPTOGENETICS

OA32LP
OA32LP_v2
OCM32LP
OH32LP (oDrive)
OXA32LP (Optogenix)
OZ32LP

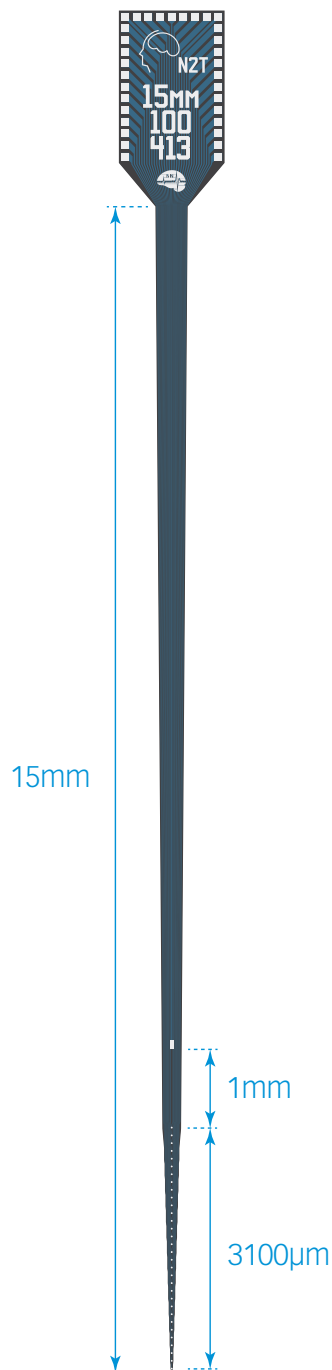
MR-COMPATIBLE

MR_CM32
MR_H32_21mm
MR_HC32_21mm

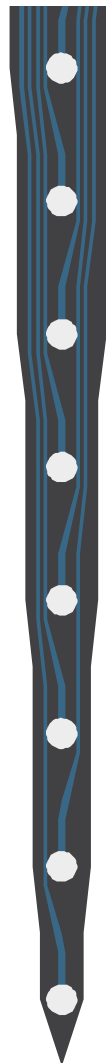
thickness

50 µm

A1x32-15mm-100-413



TIP DETAIL



available packages

ACUTE

A32

CHRONIC

CM32
H32_21mm
HC32_21mm
HZ32_21mm
Z32

OPTOGENETICS

OA32LP
OA32LP_v2
OCM32LP
OH32LP (oDrive)
OXA32LP (Optogenix)
OZ32LP

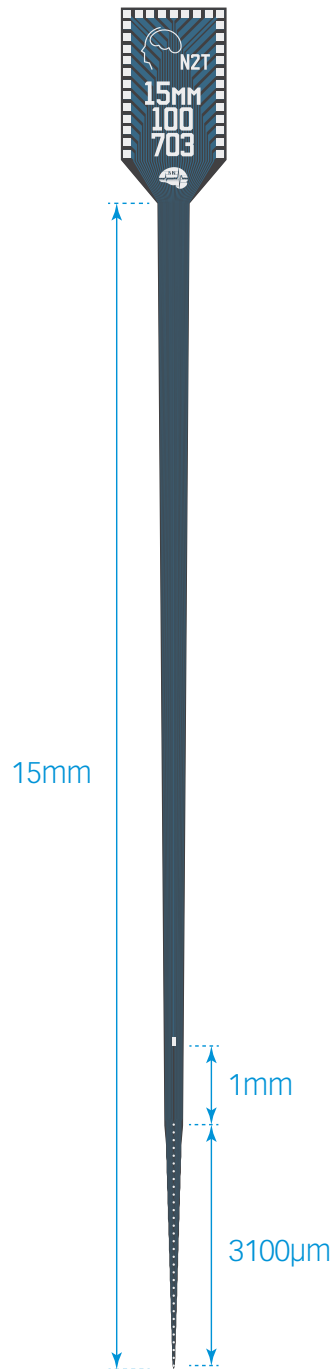
MR-COMPATIBLE

MR_CM32
MR_H32_21mm
MR_HC32_21mm

thickness

50 µm

A1x32-15mm-100-703



TIP DETAIL



available packages

ACUTE

A32

CHRONIC

CM32
H32_21mm
HC32_21mm
HZ32_21mm
Z32

OPTOGENETICS

OA32LP
OA32LP_v2
OCM32LP
OH32LP (oDrive)
OXA32LP (Optogenix)
OZ32LP

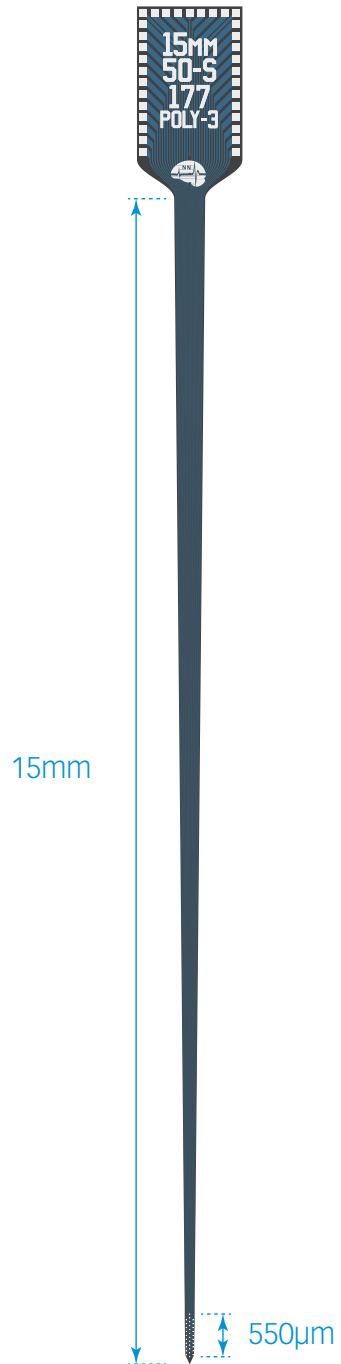
MR-COMPATIBLE

MR_CM32
MR_H32_21mm
MR_HC32_21mm

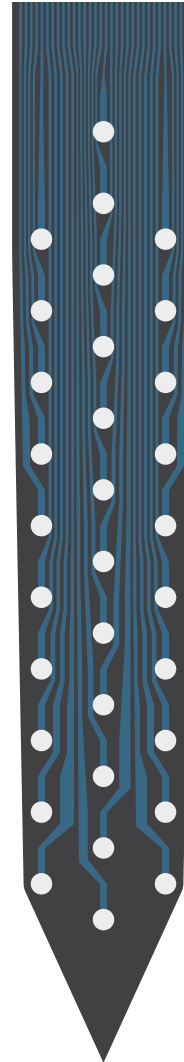
thickness

50 µm

A1x32-Poly3-15mm-50s-177



TIP DETAIL



available packages

ACUTE

A32

CHRONIC

CM32
H32_21mm
HC32_21mm
HZ32_21mm
Z32

OPTOGENETICS

OA32LP
OA32LP_v2
OCM32LP
OH32LP (oDrive)
OXA32LP (Optogenix)
OZ32LP

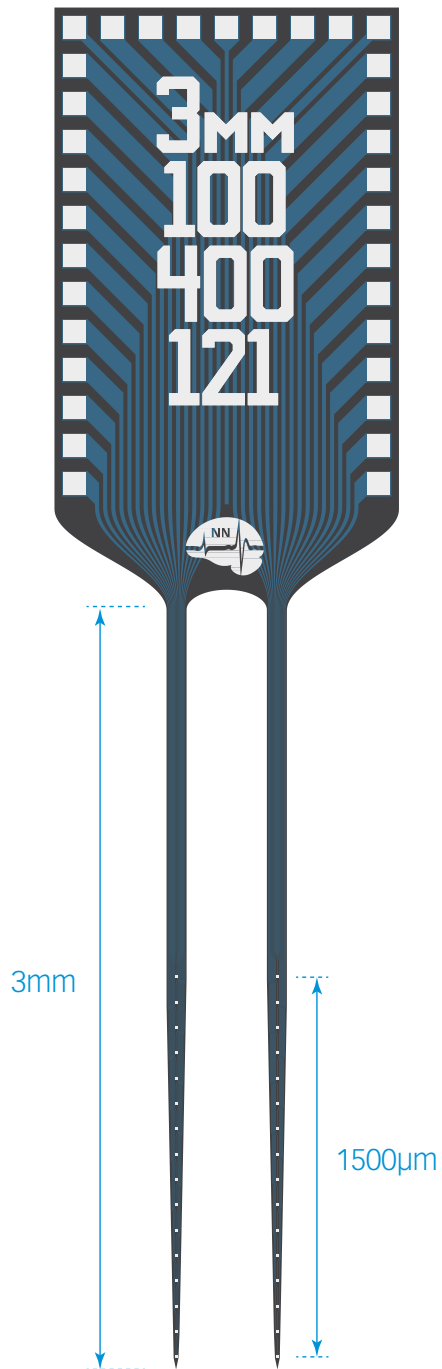
MR-COMPATIBLE

MR_CM32
MR_H32_21mm
MR_HC32_21mm

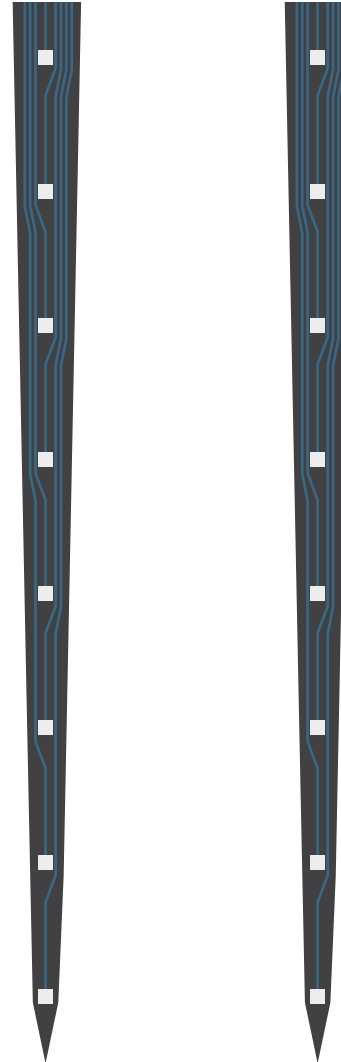
thickness

50 µm

A2x16-3mm-100-400-121



TIP DETAIL



available packages

ACUTE

A32

CHRONIC

CM32
H32_21mm
HC32_21mm
HZ32_21mm
Z32

OPTOGENETICS

OA32LP
OA32LP_v2
OCM32LP
OH32LP (oDrive)
OXA32LP (Optogenix)
OZ32LP

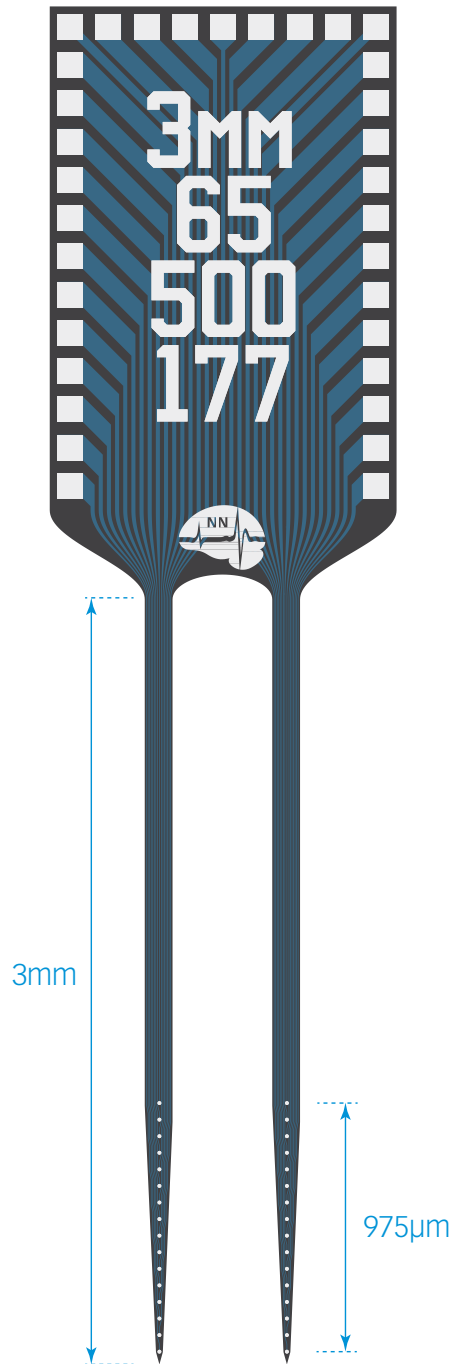
MR-COMPATIBLE

MR_CM32
MR_H32_21mm
MR_HC32_21mm

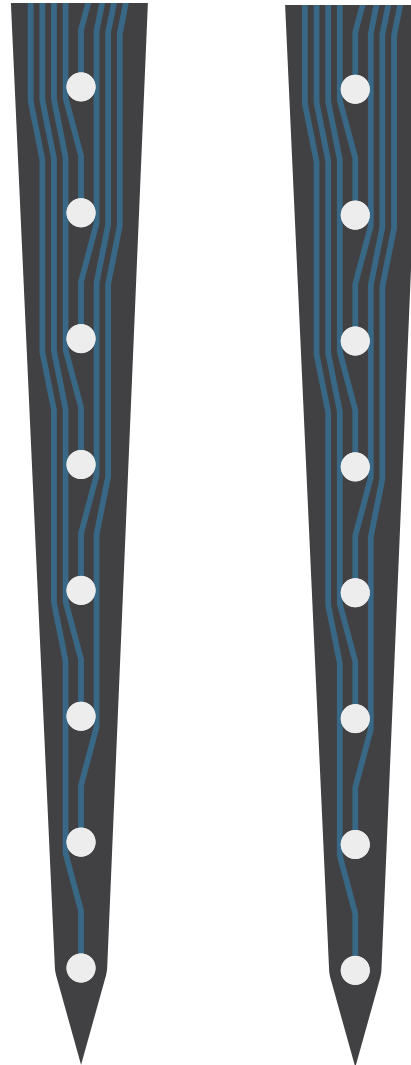
thickness

15 µm

A2x16-3mm-65-500-177



TIP DETAIL



available packages

ACUTE

A32

CHRONIC

CM32
H32_21mm
HC32_21mm
HZ32_21mm
Z32

OPTOGENETICS

OA32LP
OA32LP_v2
OCM32LP
OH32LP (oDrive)
OXA32LP (Optogenix)
OZ32LP

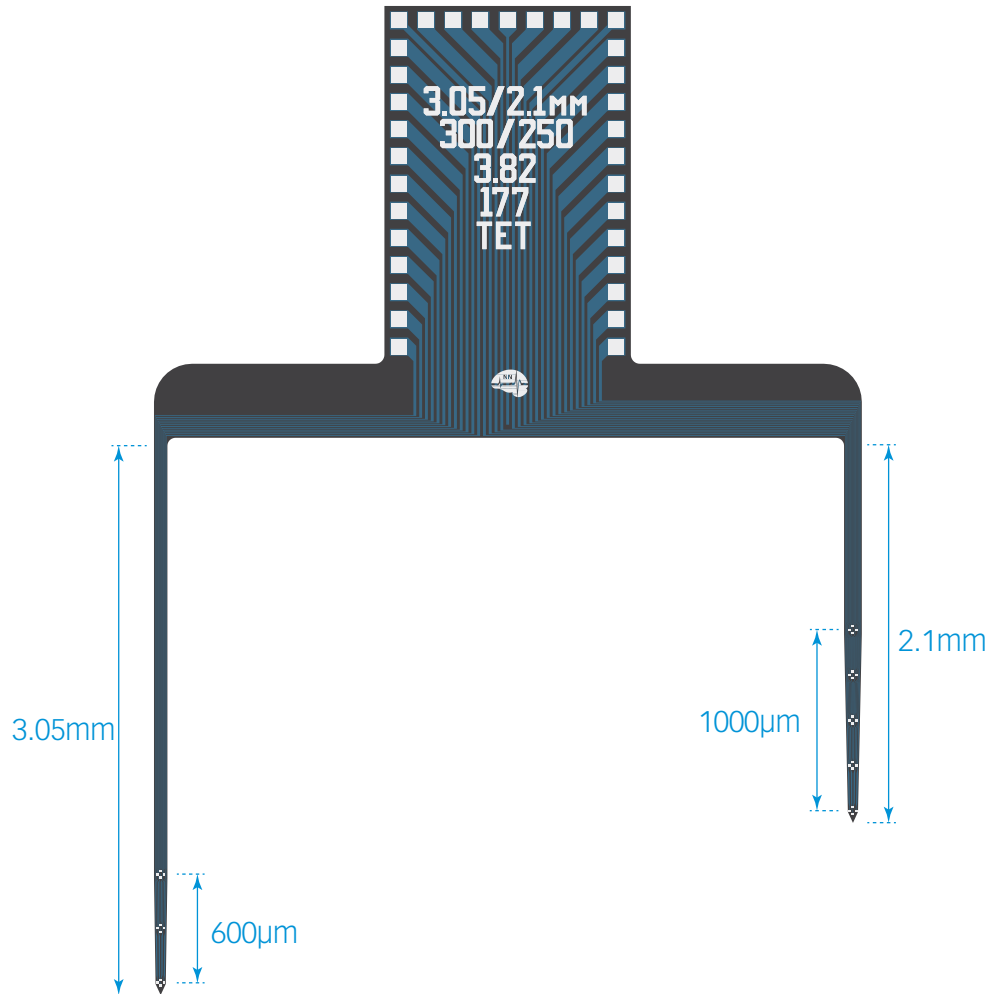
MR-COMPATIBLE

MR_CM32
MR_H32_21mm
MR_HC32_21mm

thickness

50 µm

A2x3/5-tet-3.05/2.1mm -300/250-3.82-121



TIP DETAIL



available packages

ACUTE
A32

CHRONIC
CM32
H32_21mm
HC32_21mm
HZ32_21mm
Z32

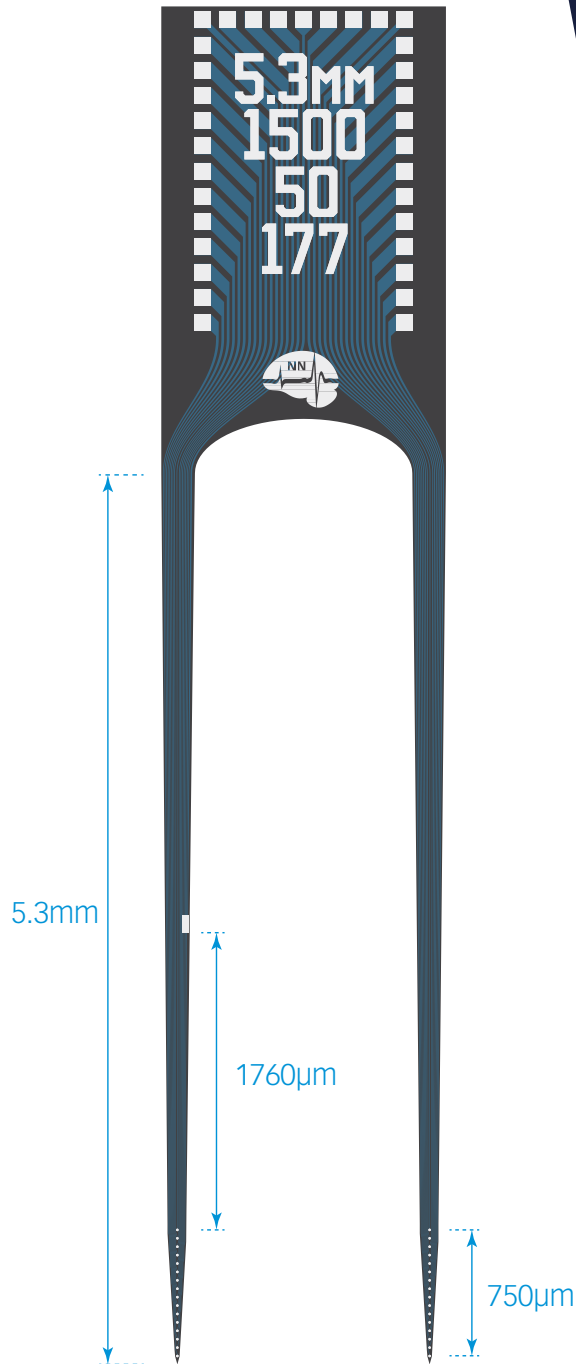
OPTOGENETICS
OA32LP
OA32LP_v2
OCM32LP
OH32LP (oDrive)
OXA32LP (Optogenix)
OZ32LP

MR-COMPATIBLE
MR_CM32
MR_H32_21mm
MR_HC32_21mm

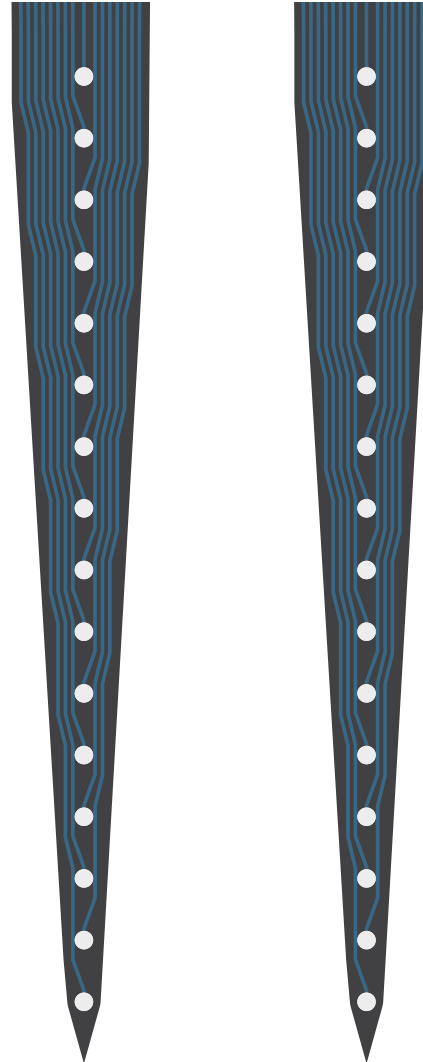
thickness

50 µm

A2X16-5.3mm-50-1500-177



TIP DETAIL



available packages

ACUTE

A32

CHRONIC

CM32
H32_21mm
HC32_21mm
HZ32_21mm
Z32

OPTOGENETICS

OA32LP
OA32LP_v2
OCM32LP
OH32LP (oDrive)
OXA32LP (Optogenix)
OZ32LP

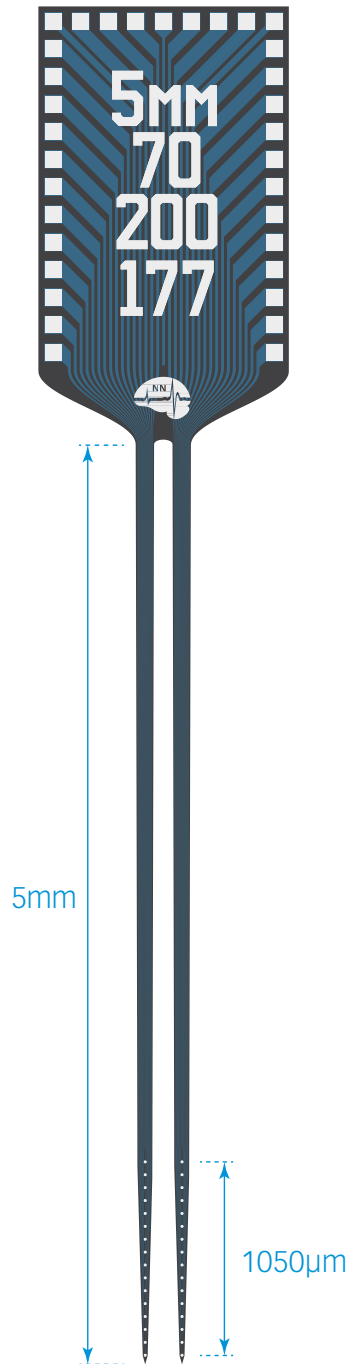
MR-COMPATIBLE

MR_CM32
MR_H32_21mm
MR_HC32_21mm

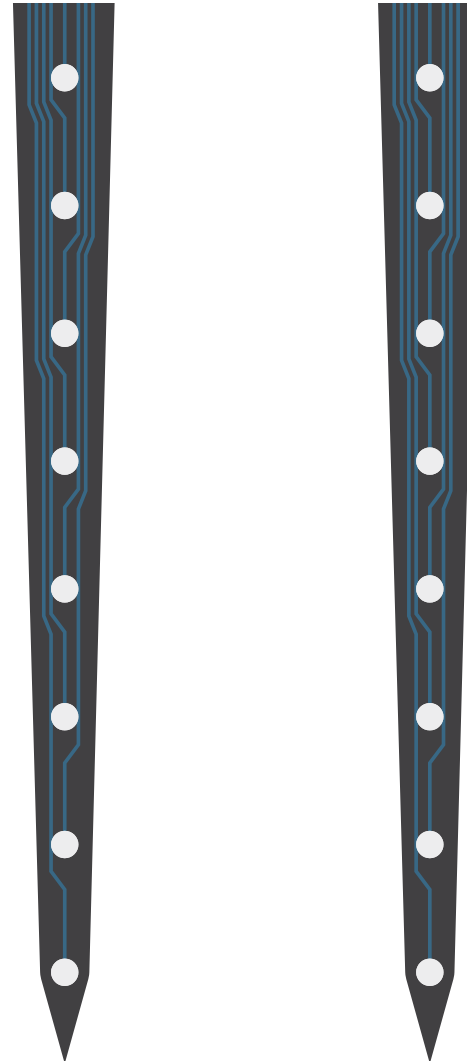
thickness

50 μ m

A2x16-5mm-70-200-177



TIP DETAIL



available packages

ACUTE

A32

CHRONIC

CM32
H32_21mm
HC32_21mm
HZ32_21mm
Z32

OPTOGENETICS

OA32LP
OA32LP_v2
OCM32LP
OH32LP (oDrive)
OXA32LP (Optogenix)
OZ32LP

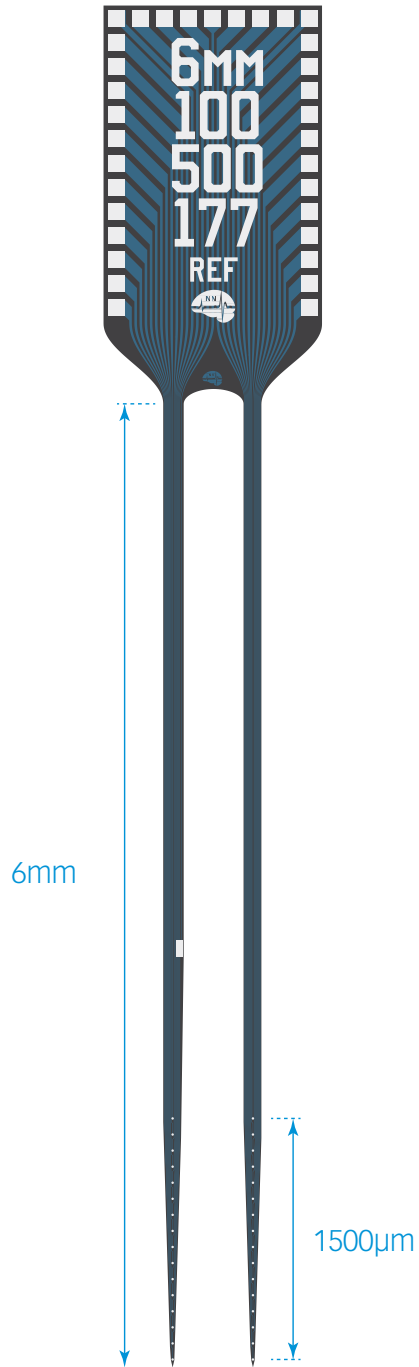
MR-COMPATIBLE

MR_CM32
MR_H32_21mm
MR_HC32_21mm

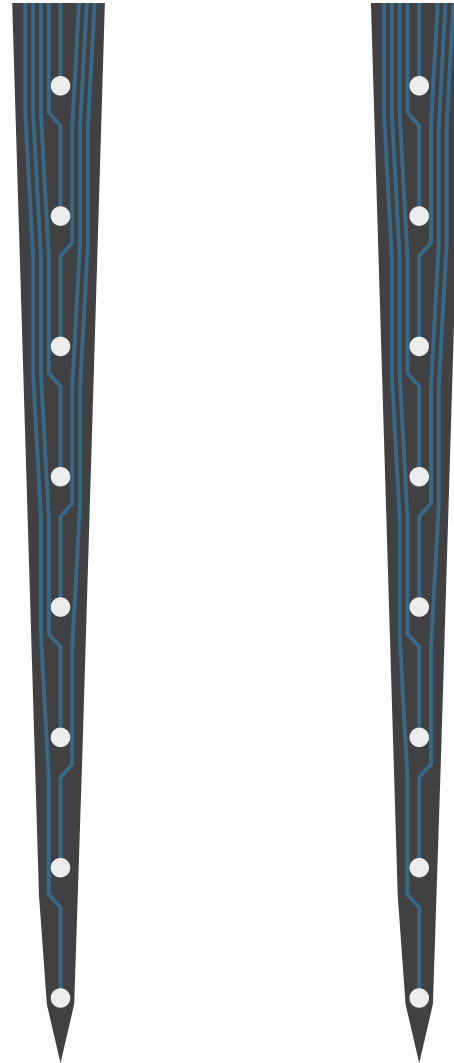
thickness

15 µm

A2x16-6mm-100-500-177-ref



TIP DETAIL



available packages

ACUTE
A32

CHRONIC
CM32
H32_21mm
HC32_21mm
HZ32_21mm
Z32

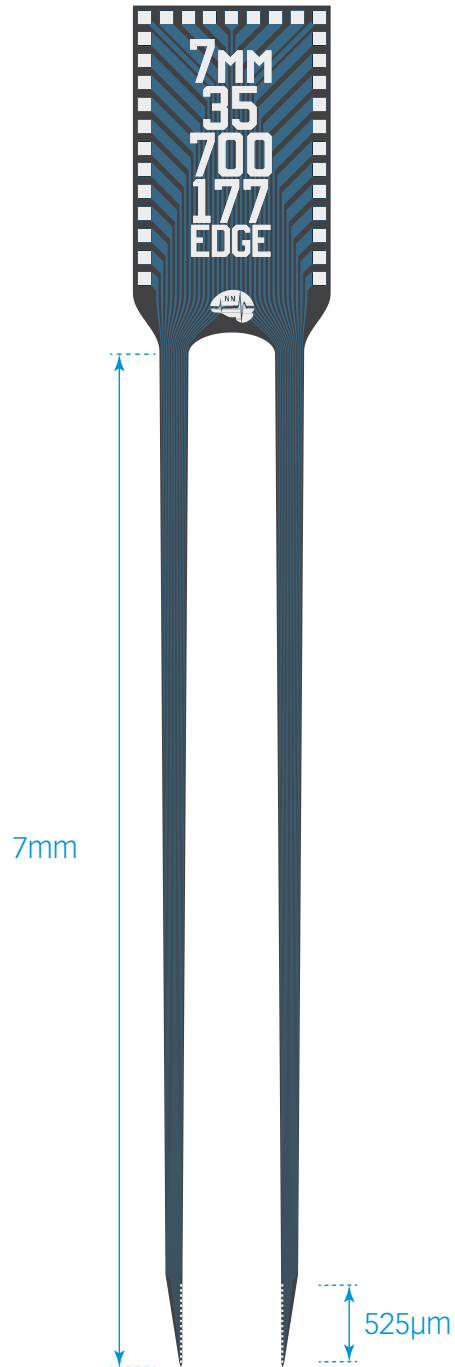
OPTOGENETICS
OA32LP
OA32LP_v2
OCM32LP
OH32LP (oDrive)
OXA32LP (Optogenix)
OZ32LP

MR-COMPATIBLE
MR_CM32
MR_H32_21mm
MR_HC32_21mm

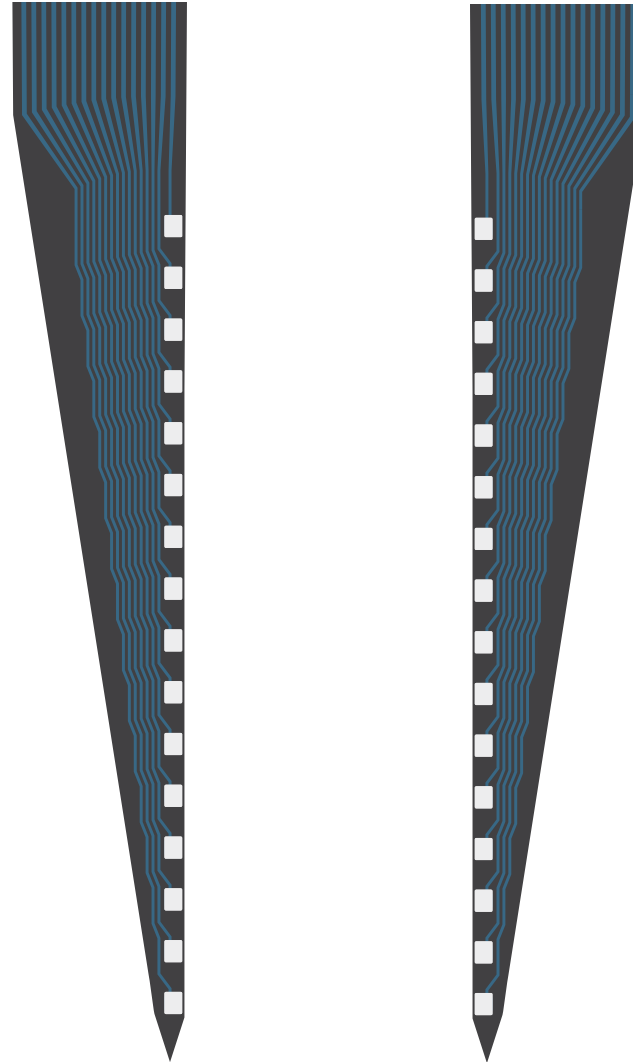
thickness

15 µm

A2x16-7mm-35-700-177



TIP DETAIL



available packages

ACUTE

A32

CHRONIC

CM32
H32_21mm
HC32_21mm
HZ32_21mm
Z32

OPTOGENETICS

OA32LP
OA32LP_v2
OCM32LP
OH32LP (oDrive)
OXA32LP (Optogenix)
OZ32LP

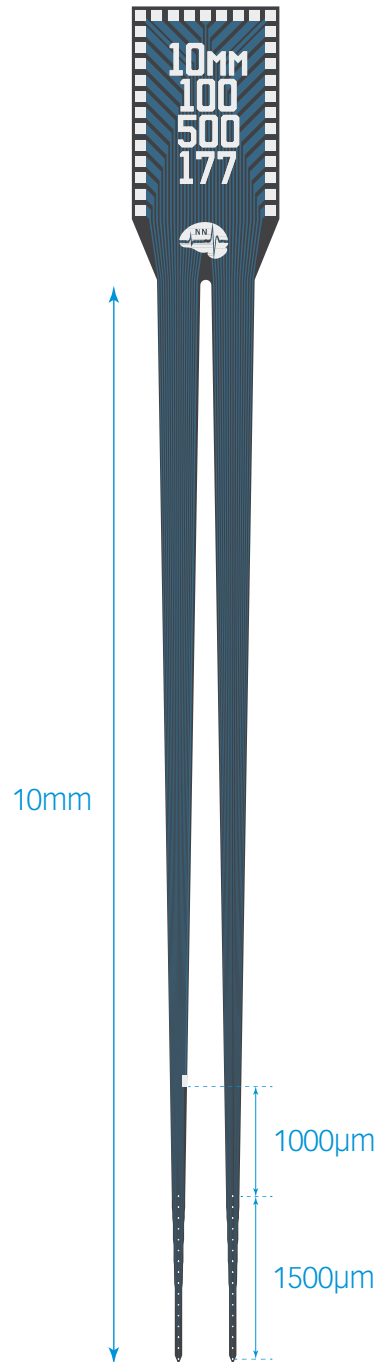
MR-COMPATIBLE

MR_CM32
MR_H32_21mm
MR_HC32_21mm

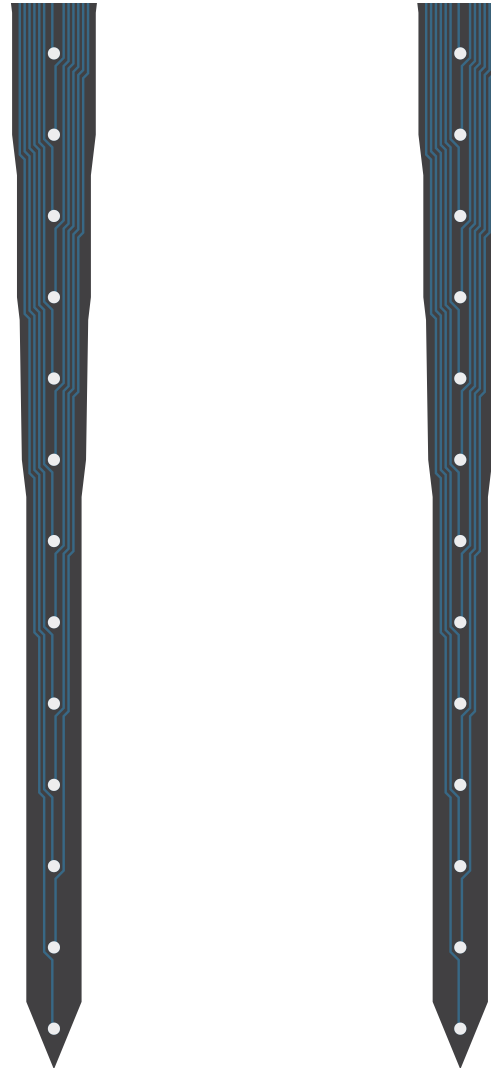
thickness

50 µm

A2x16-10mm-100-500-177



TIP DETAIL



available packages

ACUTE
A32

CHRONIC
CM32
H32_21mm
HC32_21mm
HZ32_21mm
Z32

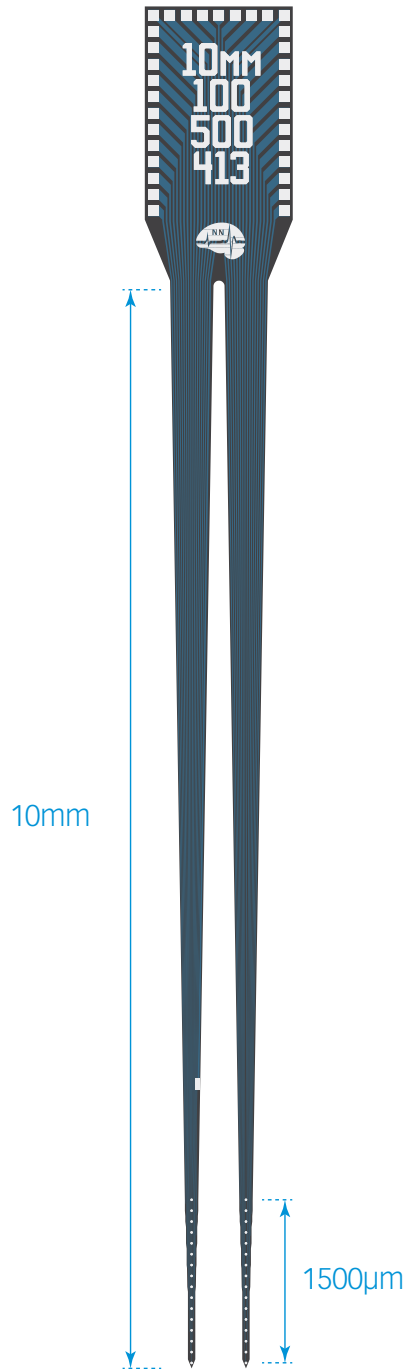
OPTOGENETICS
OA32LP
OA32LP_v2
OCM32LP
OH32LP (oDrive)
OXA32LP (Optogenix)
OZ32LP

MR-COMPATIBLE
MR_CM32
MR_H32_21mm
MR_HC32_21mm

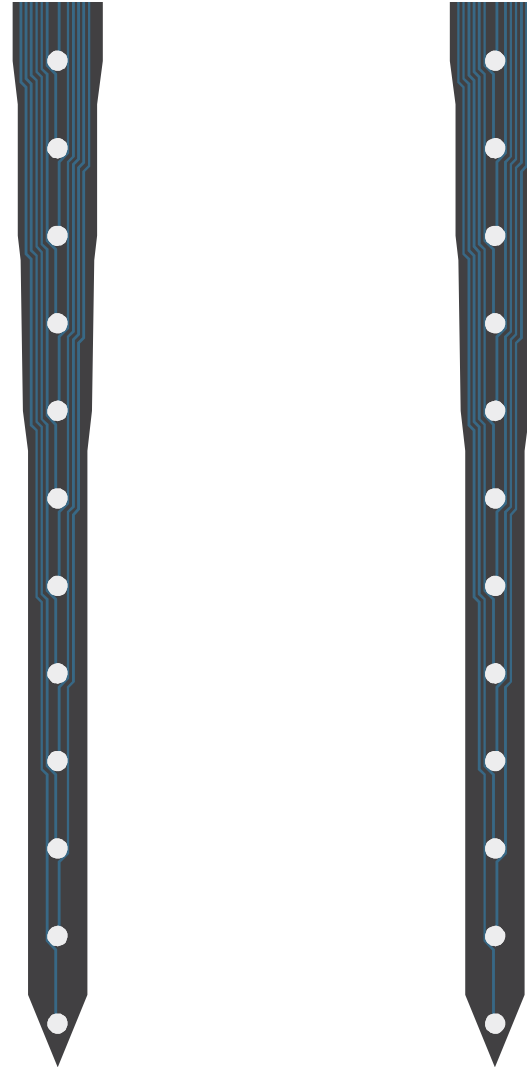
thickness

15 µm
50 µm

A2x16-10mm-100-500-413



TIP DETAIL



available packages

ACUTE

A32

CHRONIC

CM32
H32_21mm
HC32_21mm
HZ32_21mm
Z32

OPTOGENETICS

OA32LP
OA32LP_v2
OCM32LP
OH32LP (oDrive)
OXA32LP (Optogenix)
OZ32LP

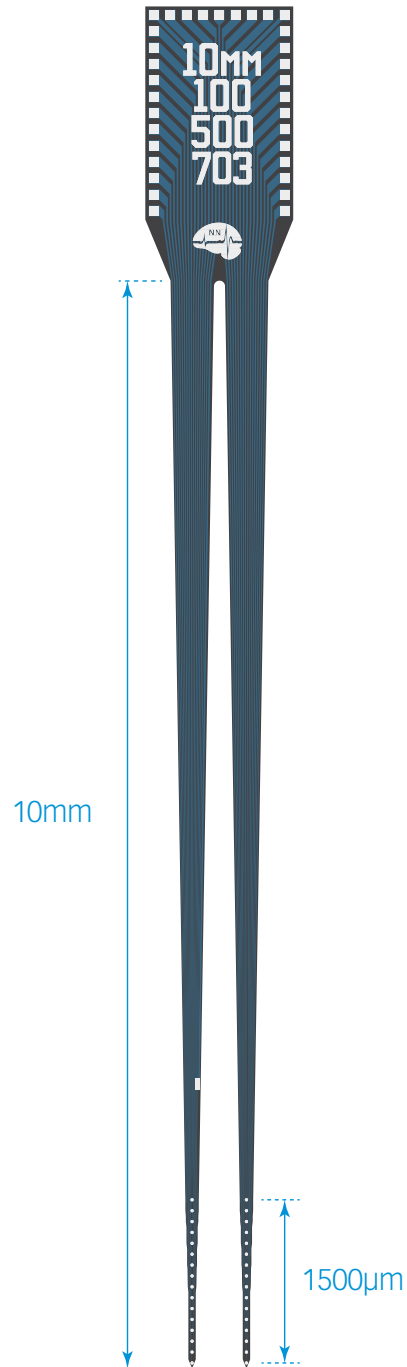
MR-COMPATIBLE

MR_CM32
MR_H32_21mm
MR_HC32_21mm

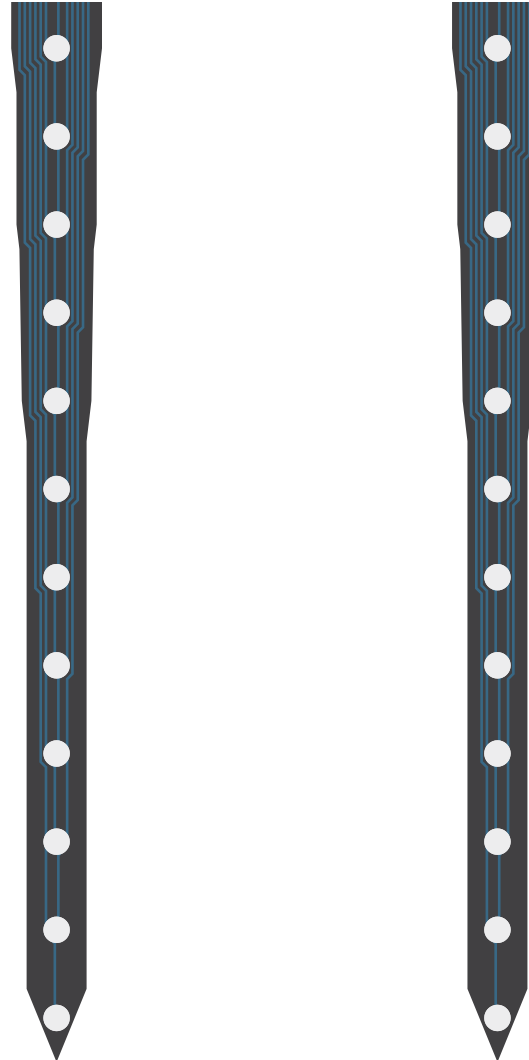
thickness

15 µm

A2x16-10mm-100-500-703



TIP DETAIL



available packages

ACUTE

A32

CHRONIC

CM32
H32_21mm
HC32_21mm
HZ32_21mm
Z32

OPTOGENETICS

OA32LP
OA32LP_v2
OCM32LP
OH32LP (oDrive)
OXA32LP (Optogenix)
OZ32LP

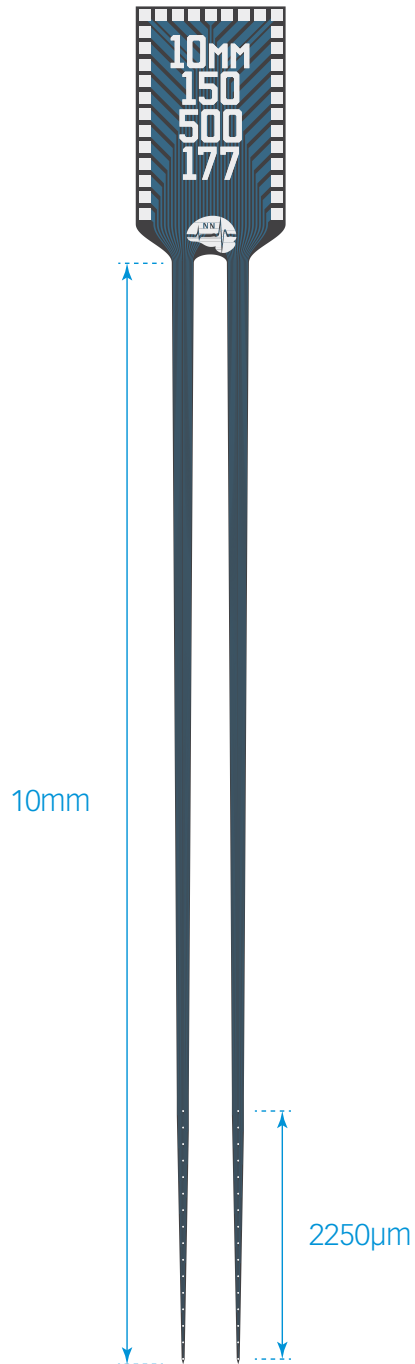
MR-COMPATIBLE

MR_CM32
MR_H32_21mm
MR_HC32_21mm

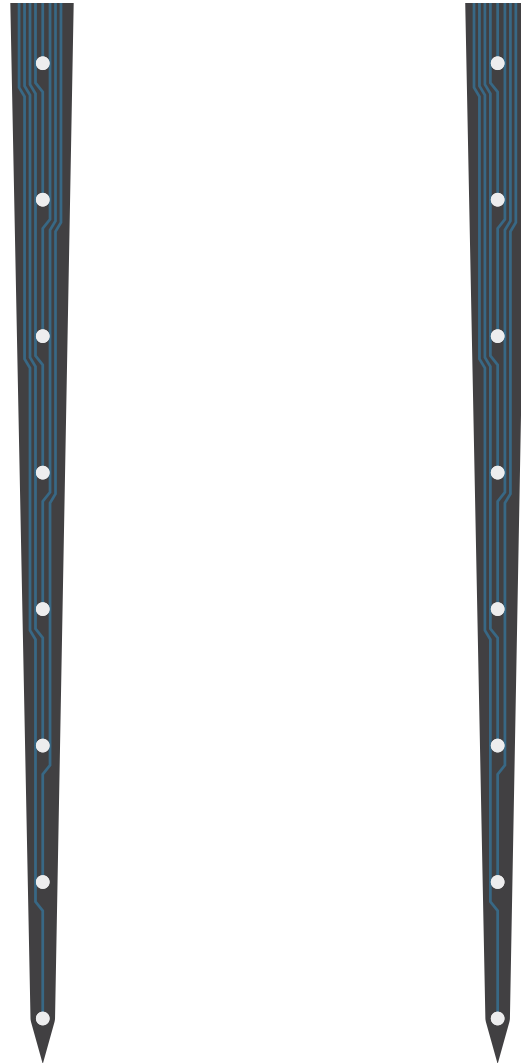
thickness

50 µm

A2x16-10mm-150-500-177



TIP DETAIL



available packages

ACUTE
A32

CHRONIC
CM32
H32_21mm
HC32_21mm
HZ32_21mm
Z32

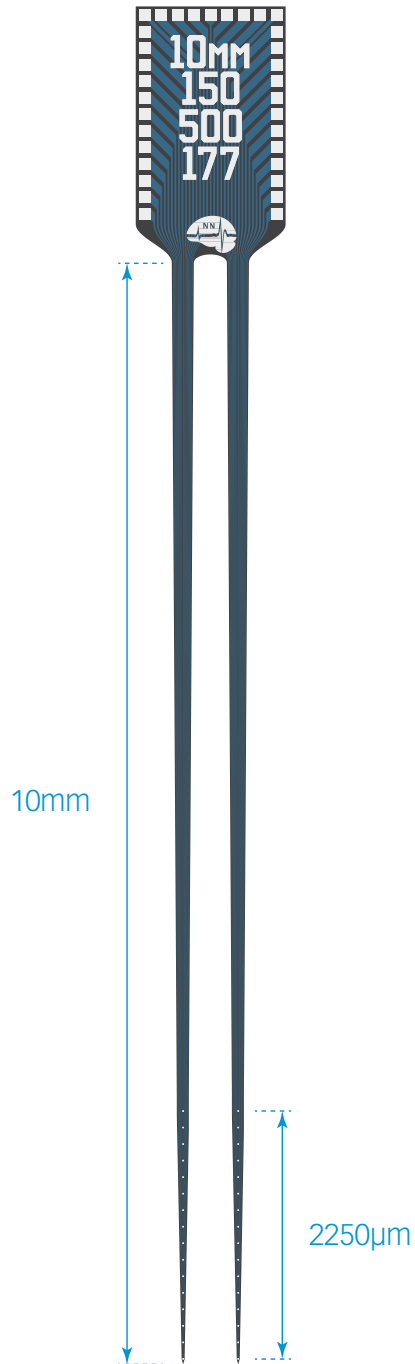
OPTOGENETICS
OA32LP
OA32LP_v2
OCM32LP
OH32LP (oDrive)
OXA32LP (Optogenix)
OZ32LP

MR-COMPATIBLE
MR_CM32
MR_H32_21mm
MR_HC32_21mm

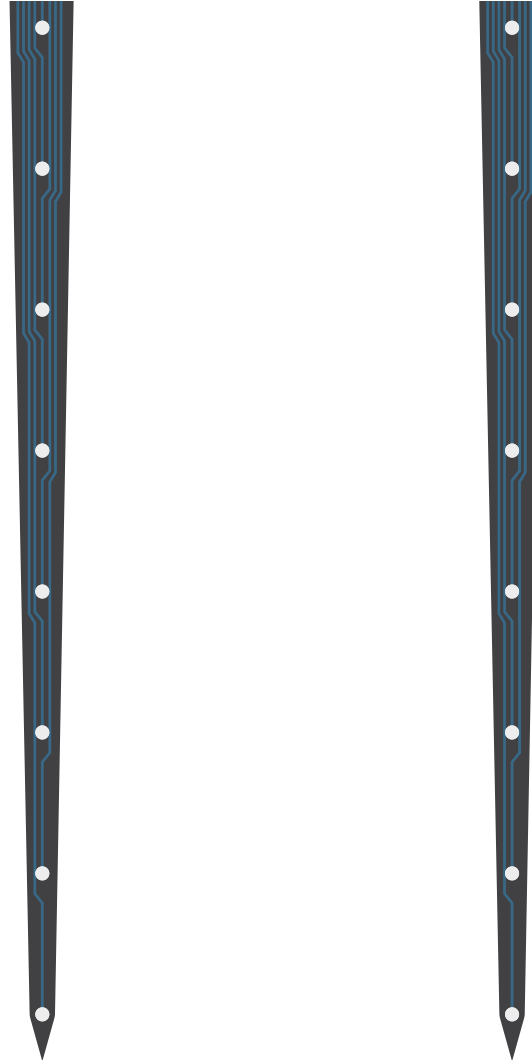
thickness

50 µm

A2x16-10mm-50-500-177



TIP DETAIL



available packages

ACUTE
A32

CHRONIC
CM32
H32_21mm
HC32_21mm
HZ32_21mm
Z32

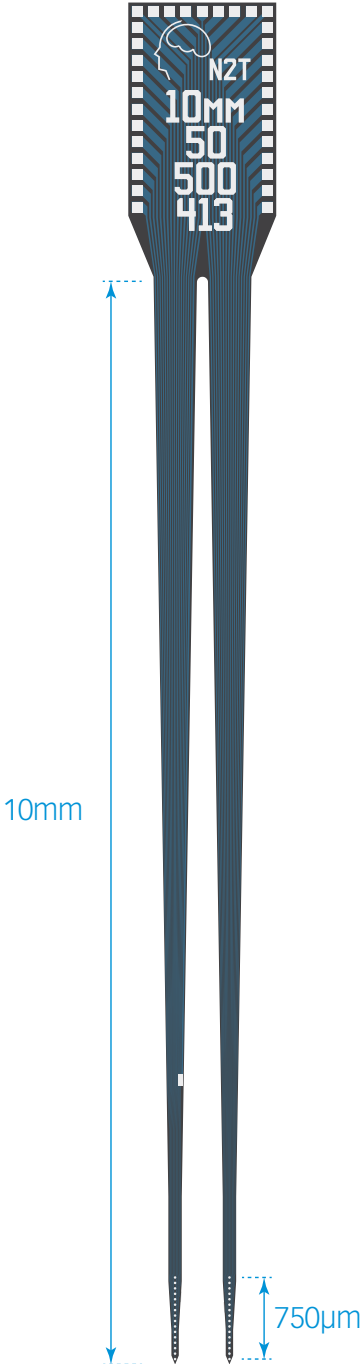
OPTOGENETICS
OA32LP
OA32LP_v2
OCM32LP
OH32LP (oDrive)
OXA32LP (Optogenix)
OZ32LP

MR-COMPATIBLE
MR_CM32
MR_H32_21mm
MR_HC32_21mm

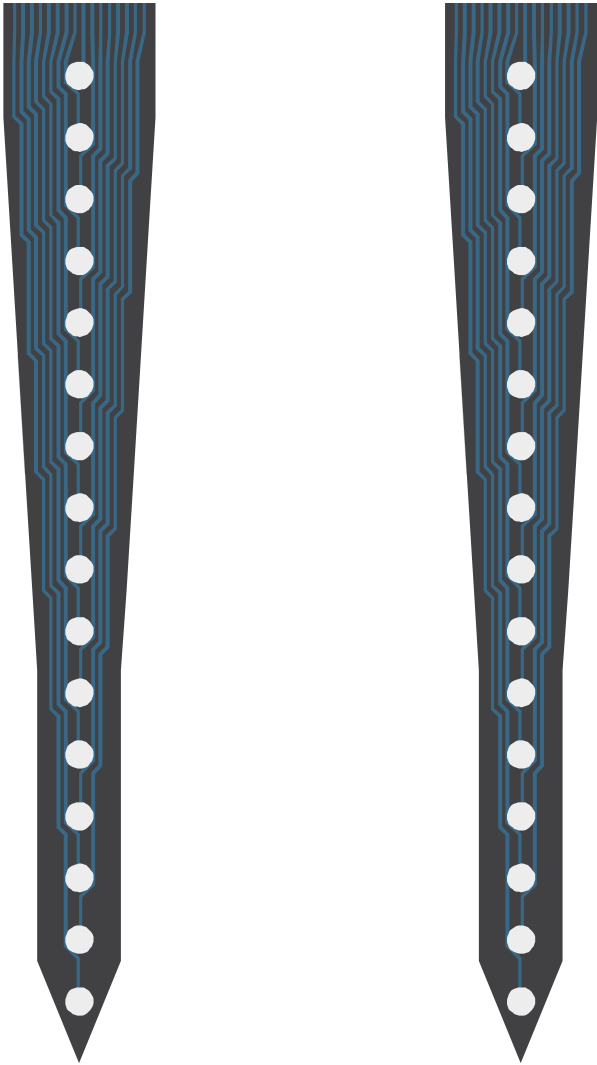
thickness

50 µm

A2x16-10mm-50-500-413



TIP DETAIL



available packages

ACUTE
A32

CHRONIC
CM32
H32_21mm
HC32_21mm
HZ32_21mm
Z32

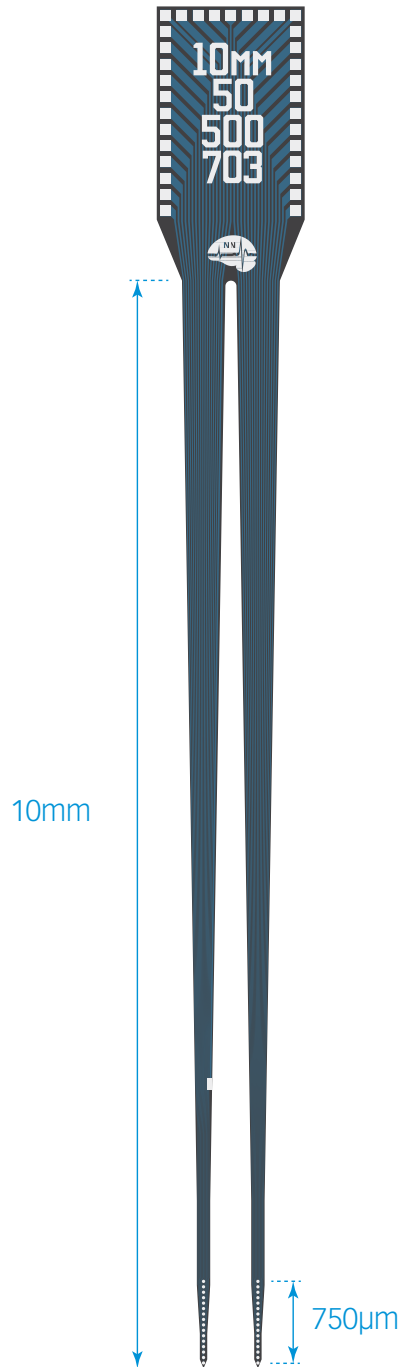
OPTOGENETICS
OA32LP
OA32LP_v2
OCM32LP
OH32LP (oDrive)
OXA32LP (Optogenix)
OZ32LP

MR-COMPATIBLE
MR_CM32
MR_H32_21mm
MR_HC32_21mm

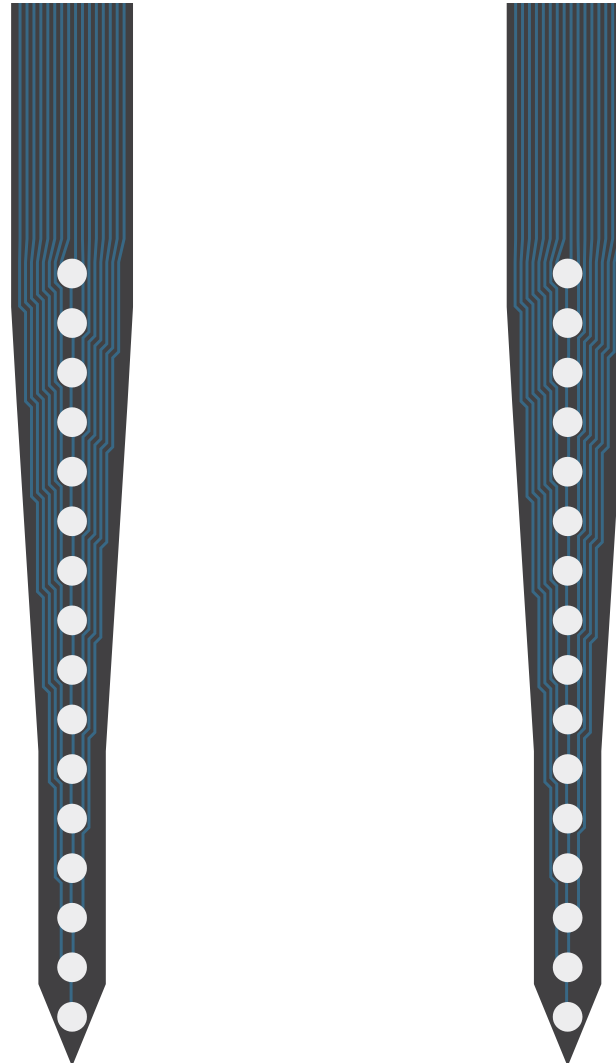
thickness

50 µm

A2x16-10mm-50-500-703



TIP DETAIL



available packages

ACUTE

A32

CHRONIC

CM32
H32_21mm
HC32_21mm
HZ32_21mm
Z32

OPTOGENETICS

OA32LP
OA32LP_v2
OCM32LP
OH32LP (oDrive)
OXA32LP (Optogenix)
OZ32LP

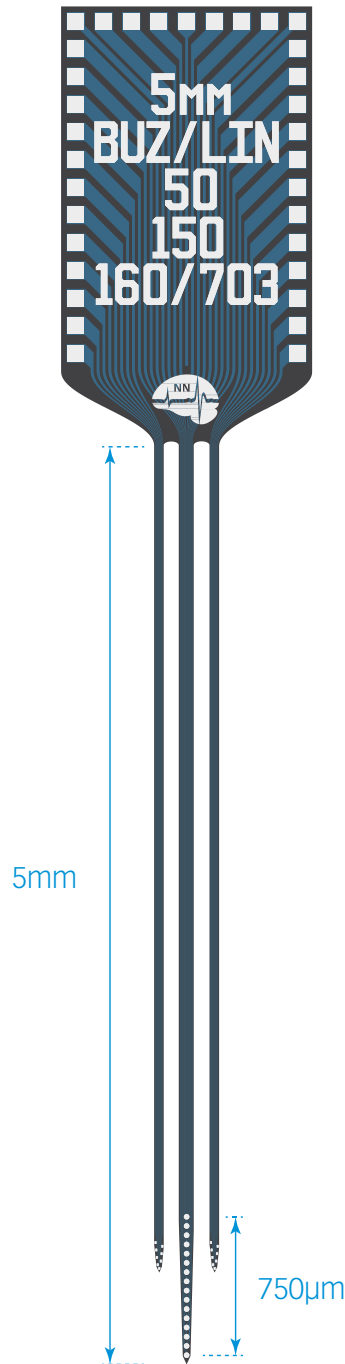
MR-COMPATIBLE

MR_CM32
MR_H32_21mm
MR_HC32_21mm

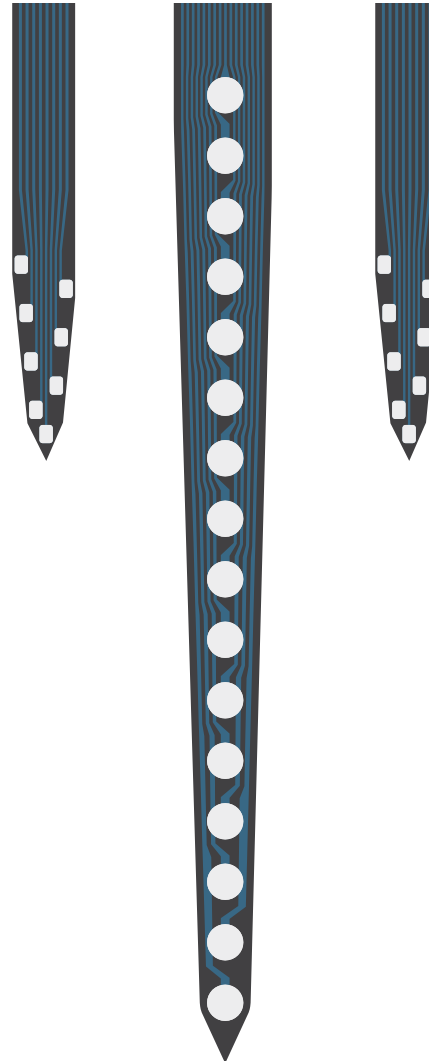
thickness

15 µm
50 µm

A3x8/16_buz/lin-5mm- 50-150-160/703



TIP DETAIL



available
packages

ACUTE
A32

CHRONIC
CM32
H32_21mm
HC32_21mm
HZ32_21mm
Z32

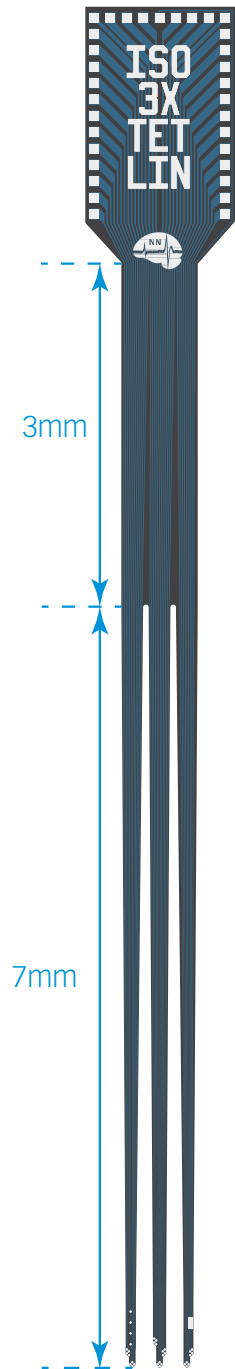
OPTOGENETICS
OA32LP
OA32LP_v2
OCM32LP
OH32LP (oDrive)
OXA32LP (Optogenix)
OZ32LP

MR-COMPATIBLE
MR_CM32
MR_H32_21mm
MR_HC32_21mm

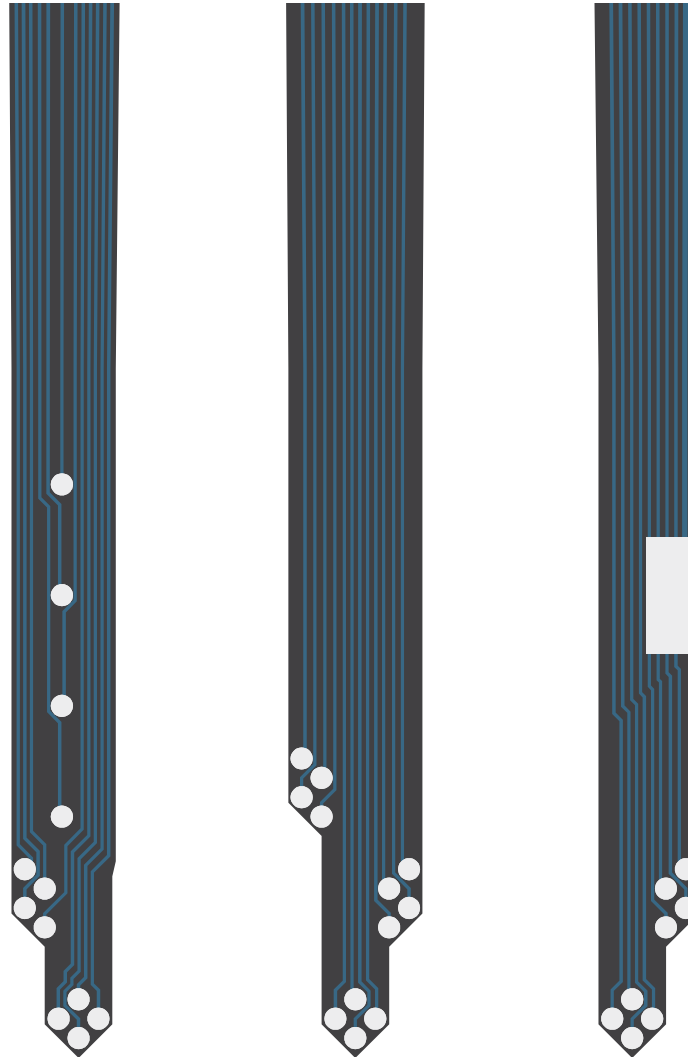
thickness

15 µm

ISO32_3x-tet-lin-10mm



TIP DETAIL



available
packages

ACUTE
A32

CHRONIC
CM32
H32_21mm
HC32_21mm
HZ32_21mm
Z32

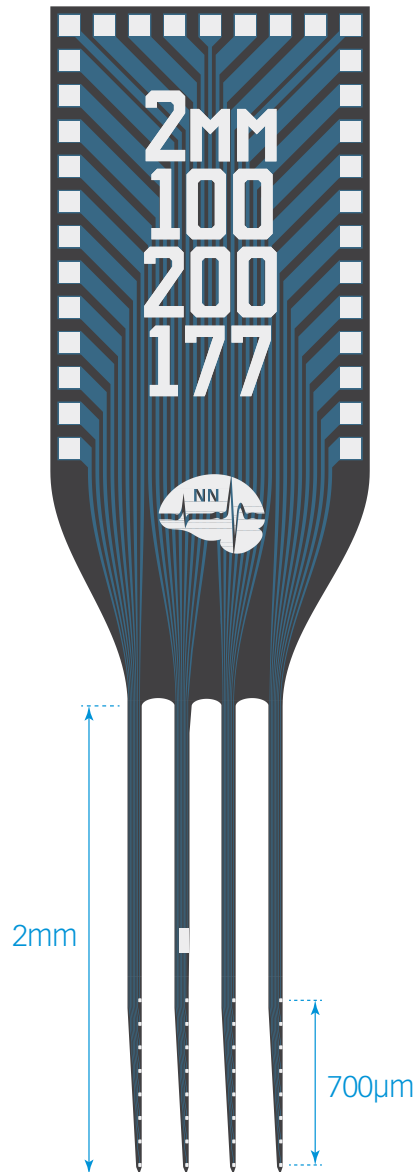
OPTOGENETICS
OA32LP
OA32LP_v2
OCM32LP
OH32LP (oDrive)
OXA32LP (Optogenix)
OZ32LP

MR-COMPATIBLE
MR_CM32
MR_H32_21mm
MR_HC32_21mm

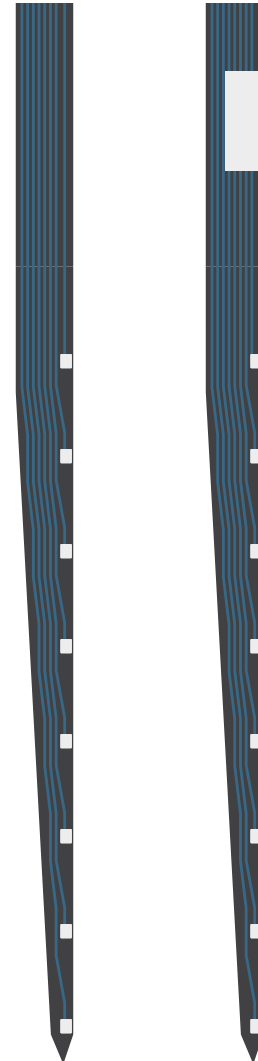
thickness

15 μm
50 μm

A4x8-Edge-2mm100-200-177



TIP DETAIL



available packages

ACUTE
A32

CHRONIC
CM32
H32_21mm
HC32_21mm
HZ32_21mm
Z32

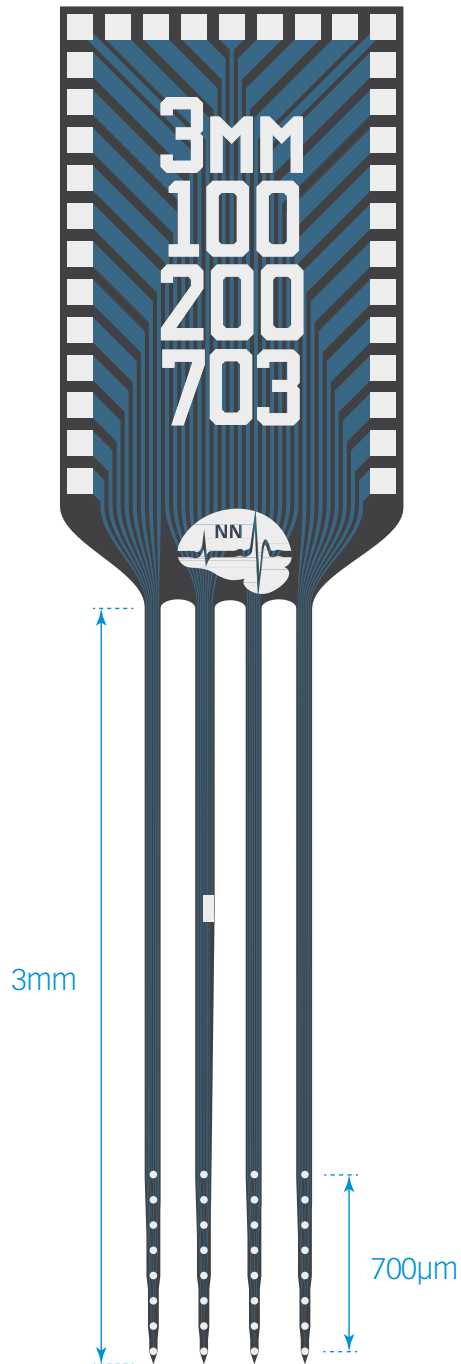
OPTOGENETICS
OA32LP
OA32LP_v2
OCM32LP
OH32LP (oDrive)
OXA32LP (Optogenix)
OZ32LP

MR-COMPATIBLE
MR_CM32
MR_H32_21mm
MR_HC32_21mm

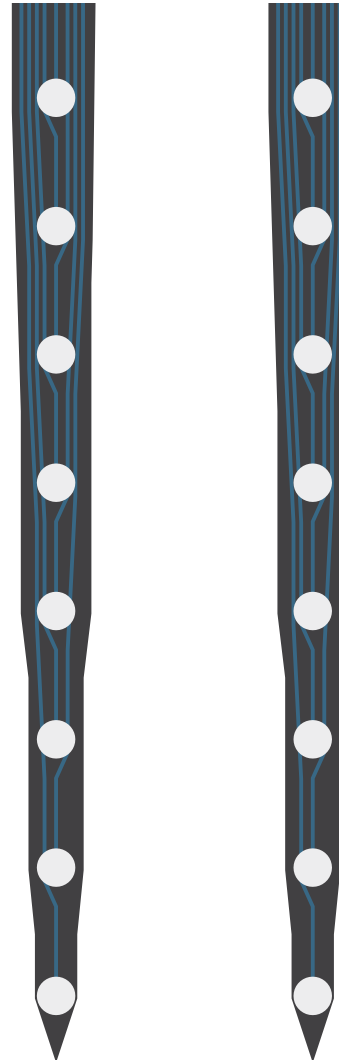
thickness

15 µm

A4x8-3mm-100-200-703



TIP DETAIL



available packages

ACUTE
A32

CHRONIC
CM32
H32_21mm
HC32_21mm
HZ32_21mm
Z32

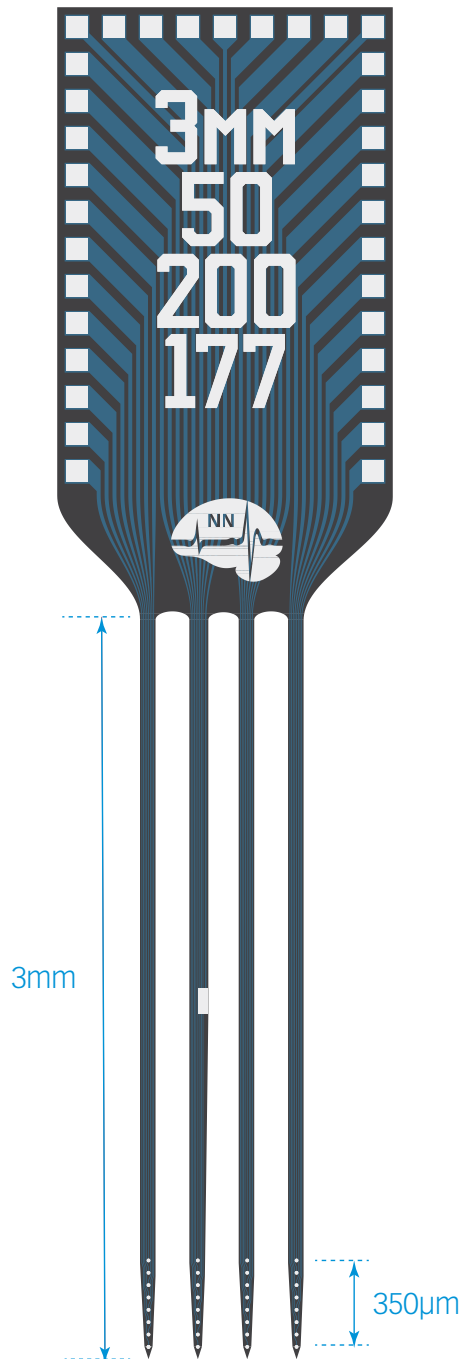
OPTOGENETICS
OA32LP
OA32LP_v2
OCM32LP
OH32LP (oDrive)
OXA32LP (Optogenix)
OZ32LP

MR-COMPATIBLE
MR_CM32
MR_H32_21mm
MR_HC32_21mm

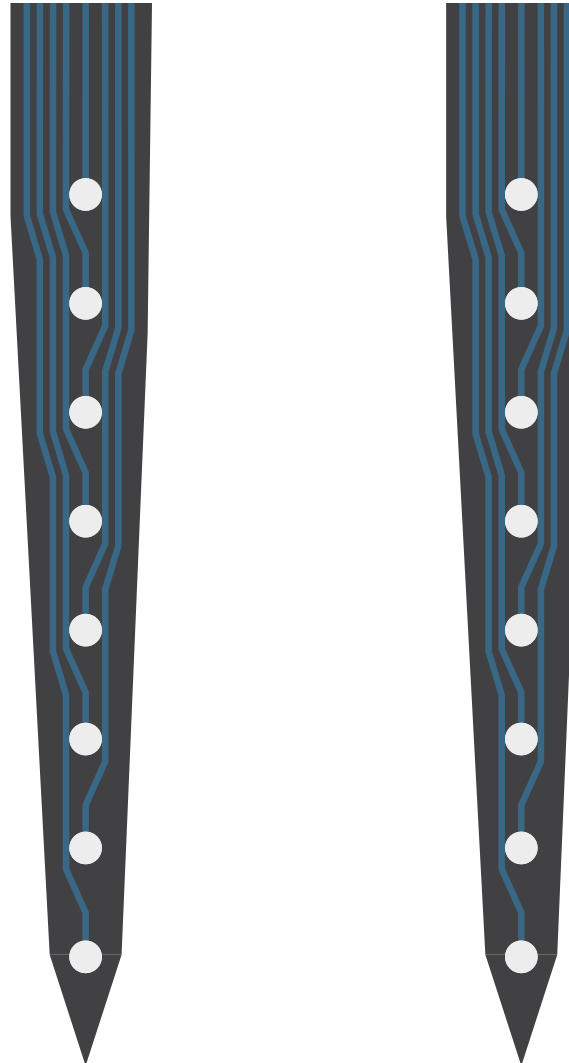
thickness

50 µm

A4x8-3mm-50-200-177



TIP DETAIL



available packages

ACUTE

A32

CHRONIC

CM32
H32_21mm
HC32_21mm
HZ32_21mm
Z32

OPTOGENETICS

OA32LP
OA32LP_v2
OCM32LP
OH32LP (oDrive)
OXA32LP (Optogenix)
OZ32LP

MR-COMPATIBLE

MR_CM32
MR_H32_21mm
MR_HC32_21mm

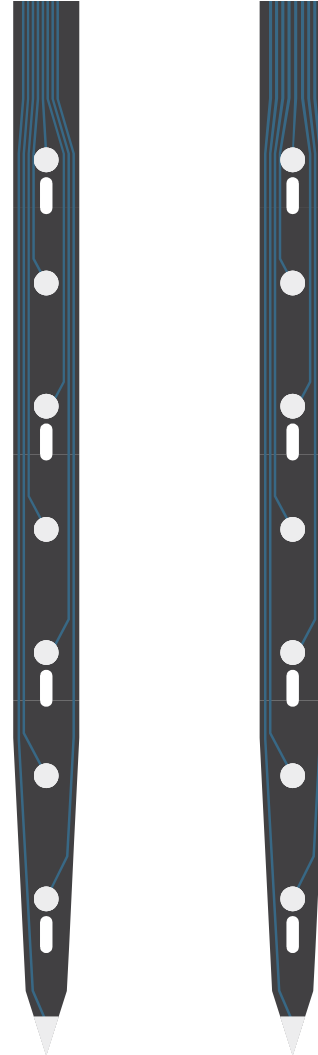
thickness

15 µm

A4x8-4mm-200-400-1250



TIP DETAIL



available packages

ACUTE
A32

CHRONIC
CM32
H32_21mm
HC32_21mm
HZ32_21mm
Z32

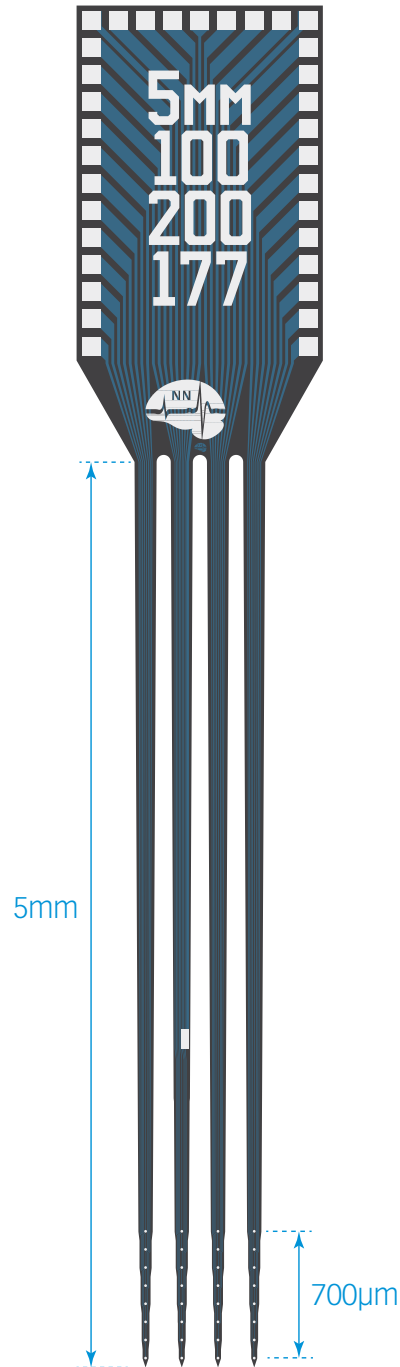
OPTOGENETICS
OA32LP
OA32LP_v2
OCM32LP
OH32LP (oDrive)
OXA32LP (Optogenix)
OZ32LP

MR-COMPATIBLE
MR_CM32
MR_H32_21mm
MR_HC32_21mm

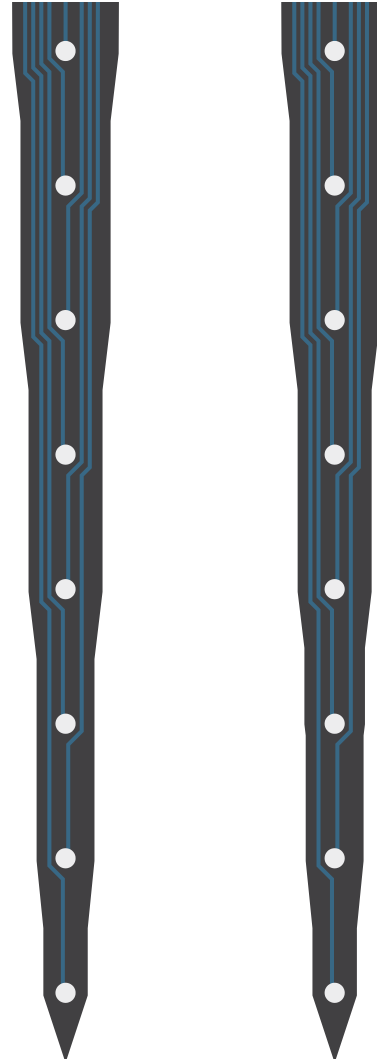
thickness

15 µm

A4x8-5mm-100-200-177



TIP DETAIL



available packages

ACUTE

A32

CHRONIC

CM32
H32_21mm
HC32_21mm
HZ32_21mm
Z32

OPTOGENETICS

OA32LP
OA32LP_v2
OCM32LP
OH32LP (oDrive)
OXA32LP (Optogenix)
OZ32LP

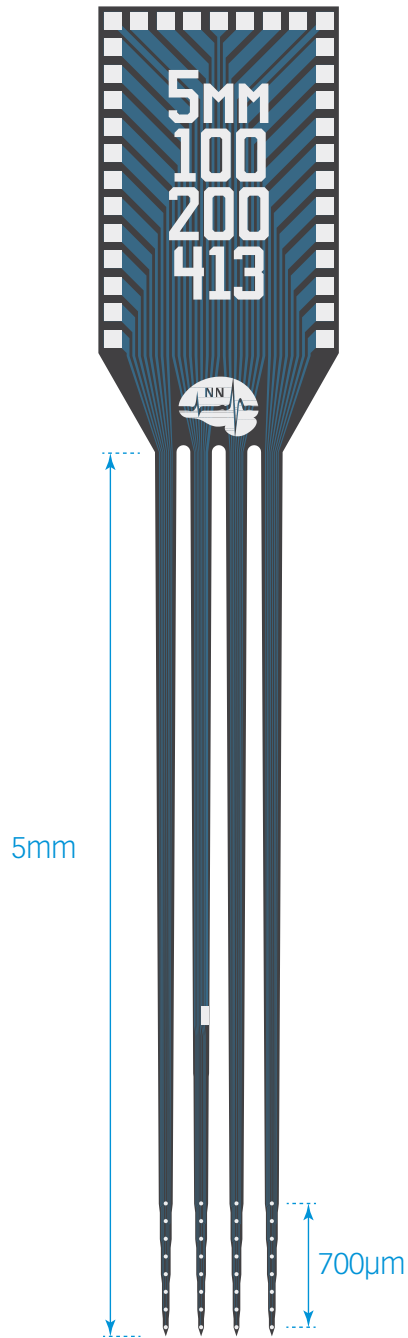
MR-COMPATIBLE

MR_CM32
MR_H32_21mm
MR_HC32_21mm

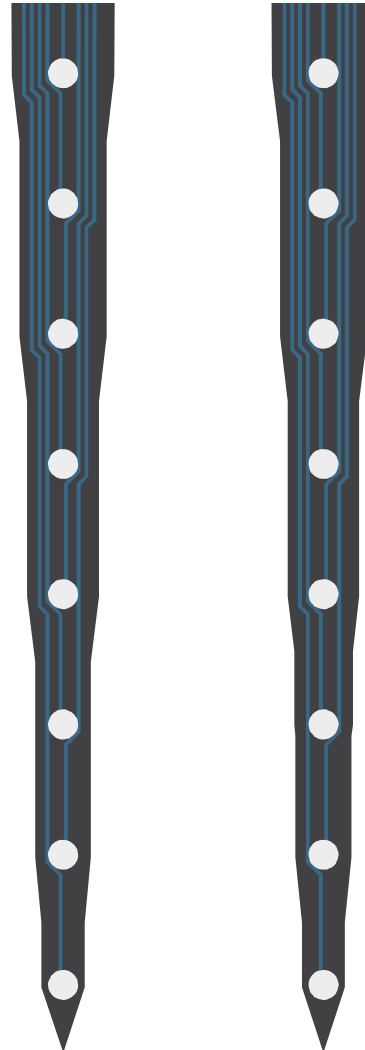
thickness

15 µm
50 µm

A4x8-5mm-100-200-413



TIP DETAIL



available packages

ACUTE

A32

CHRONIC

CM32
H32_21mm
HC32_21mm
HZ32_21mm
Z32

OPTOGENETICS

OA32LP
OA32LP_v2
OCM32LP
OH32LP (oDrive)
OXA32LP (Optogenix)
OZ32LP

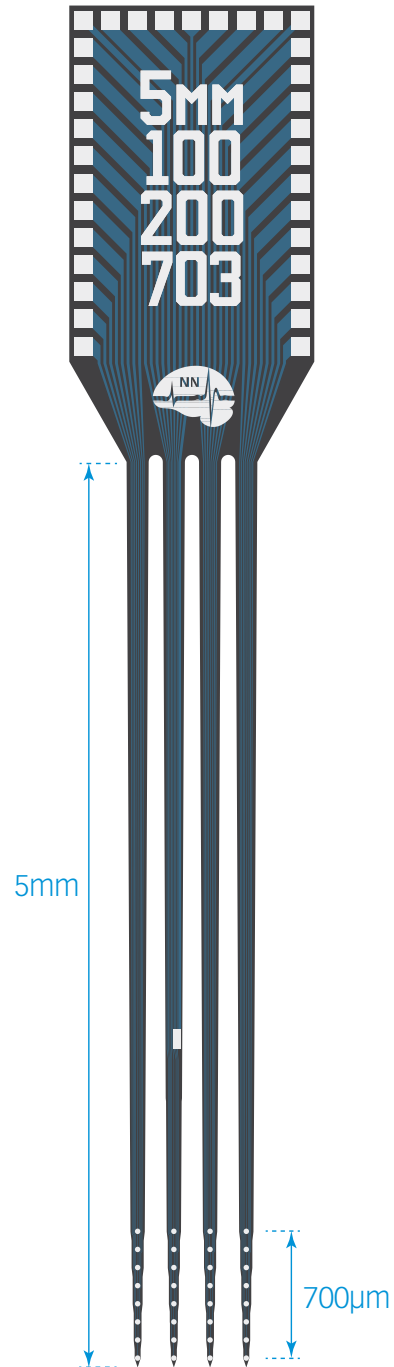
MR-COMPATIBLE

MR_CM32
MR_H32_21mm
MR_HC32_21mm

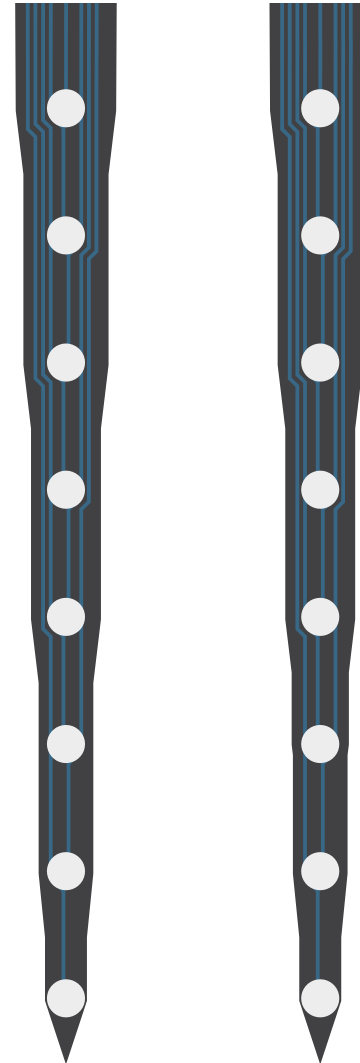
thickness

15 µm
50 µm

A4x8-5mm-100-200-703



TIP DETAIL



available packages

ACUTE
A32

CHRONIC
CM32
H32_21mm
HC32_21mm
HZ32_21mm
Z32

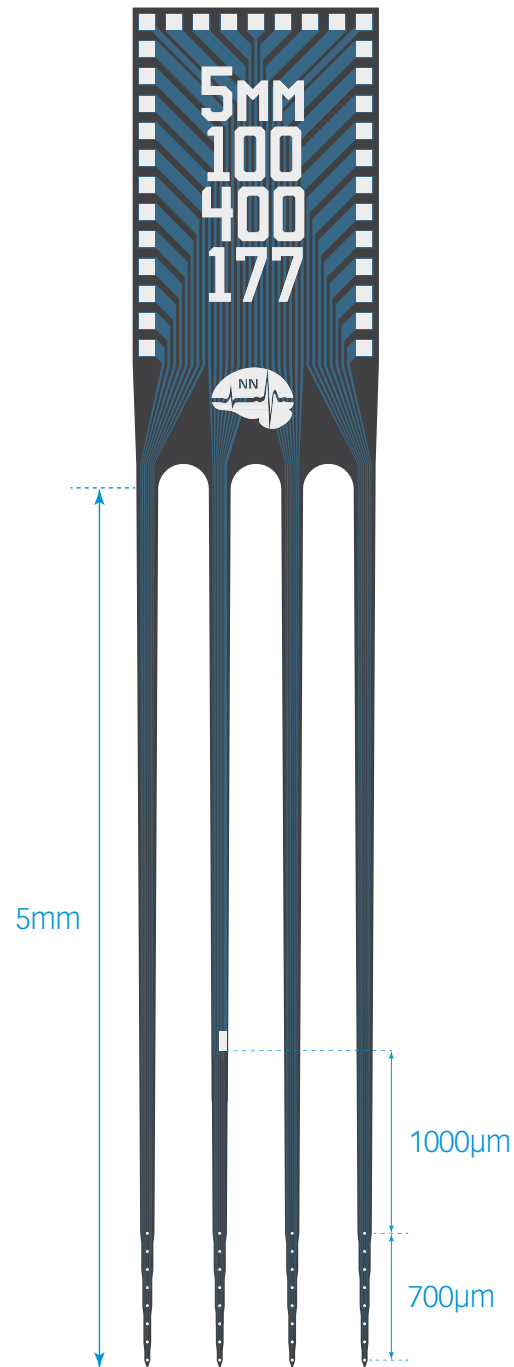
OPTOGENETICS
OA32LP
OA32LP_v2
OCM32LP
OH32LP (oDrive)
OXA32LP (Optogenix)
OZ32LP

MR-COMPATIBLE
MR_CM32
MR_H32_21mm
MR_HC32_21mm

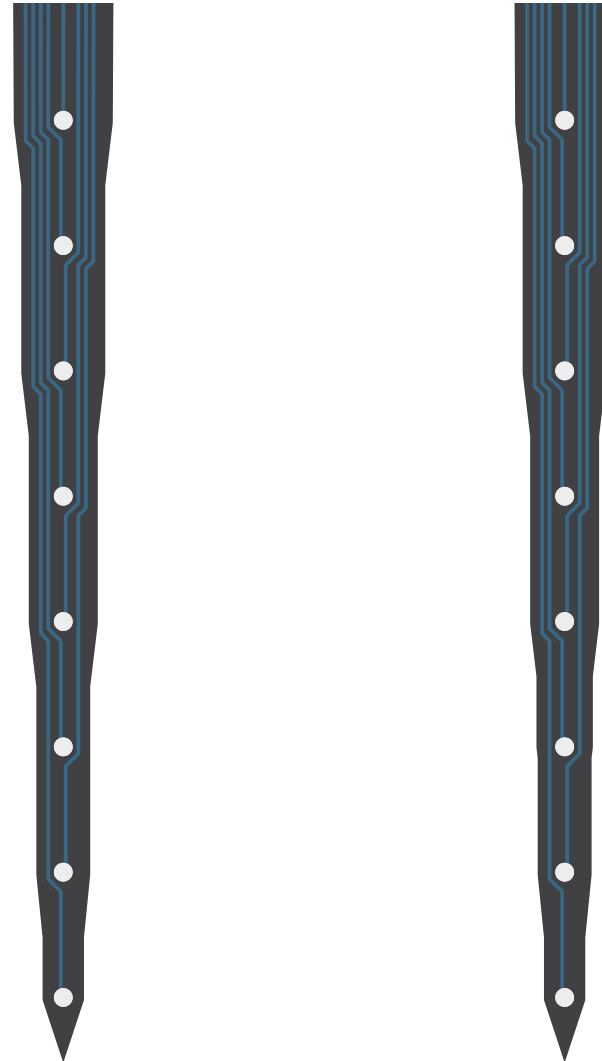
thickness

15 µm

A4x8-5mm-100-400-177



TIP DETAIL



available packages

ACUTE
A32

CHRONIC
CM32
H32_21mm
HC32_21mm
HZ32_21mm
Z32

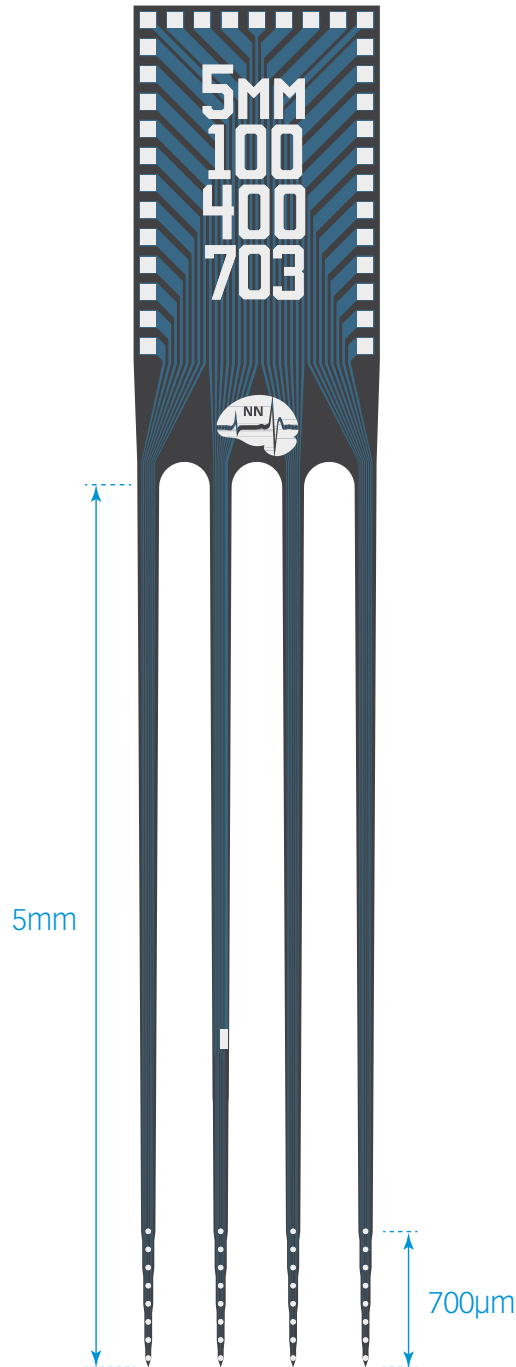
OPTOGENETICS
OA32LP
OA32LP_v2
OCM32LP
OH32LP (oDrive)
OXA32LP (Optogenix)
OZ32LP

MR-COMPATIBLE
MR_CM32
MR_H32_21mm
MR_HC32_21mm

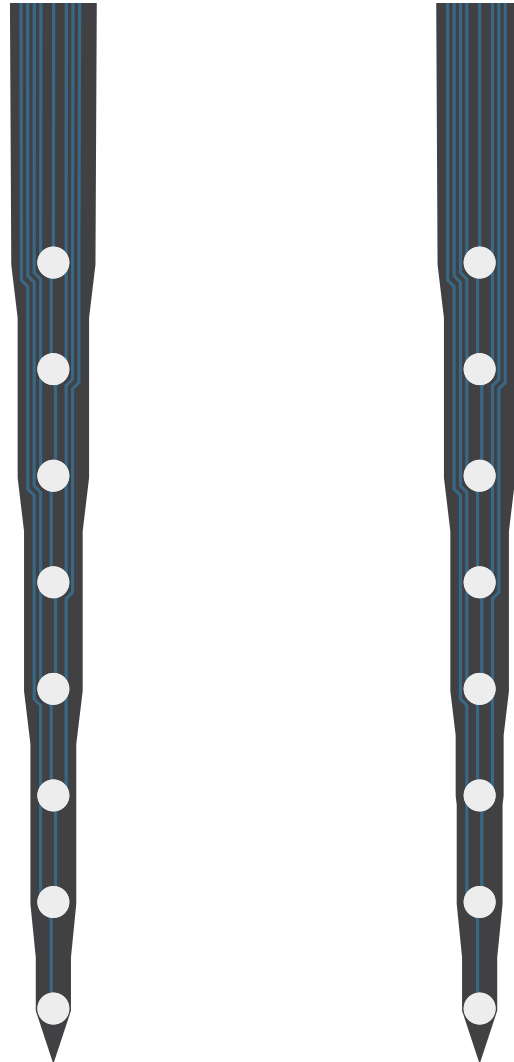
thickness

15 µm

A4x8-5mm-100-400-703



TIP DETAIL



available packages

ACUTE

A32

CHRONIC

CM32
H32_21mm
HC32_21mm
HZ32_21mm
Z32

OPTOGENETICS

OA32LP
OA32LP_v2
OCM32LP
OH32LP (oDrive)
OXA32LP (Optogenix)
OZ32LP

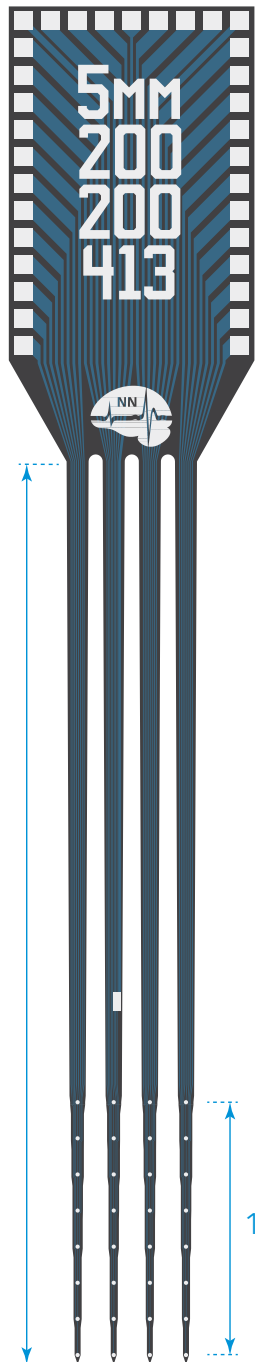
MR-COMPATIBLE

MR_CM32
MR_H32_21mm
MR_HC32_21mm

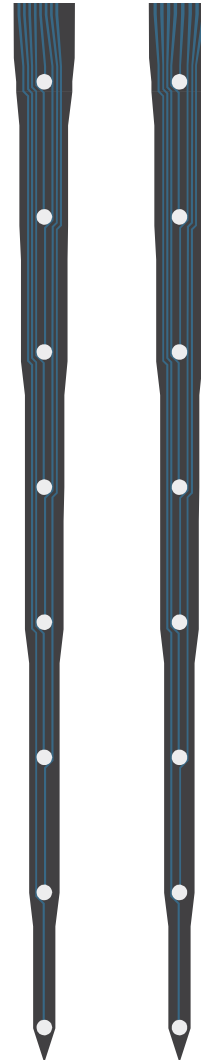
thickness

15 µm

A4x8-5mm-200-200-413



TIP DETAIL



available packages

ACUTE
A32

CHRONIC
CM32
H32_21mm
HC32_21mm
HZ32_21mm
Z32

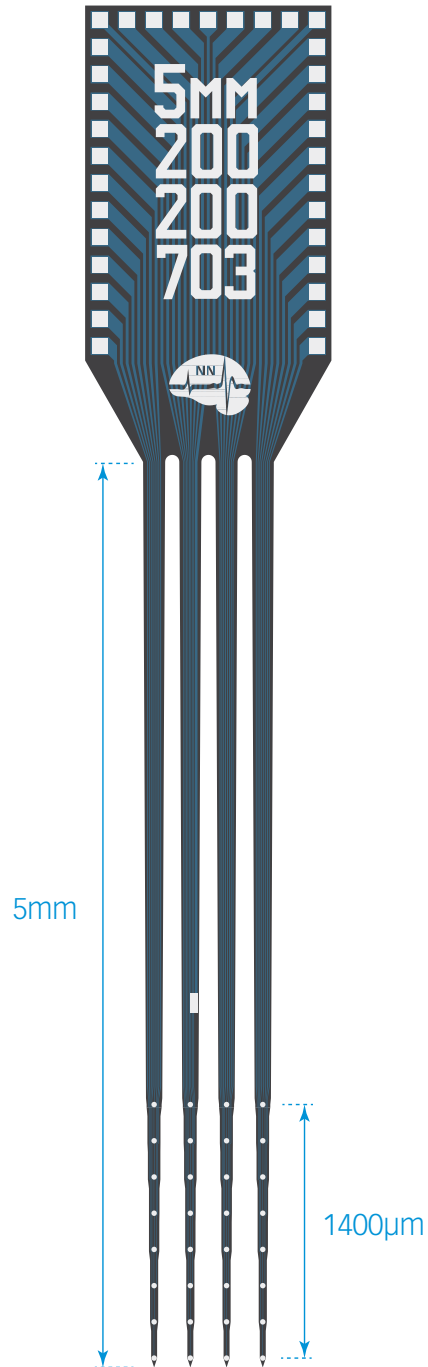
OPTOGENETICS
OA32LP
OA32LP_v2
OCM32LP
OH32LP (oDrive)
OXA32LP (Optogenix)
OZ32LP

MR-COMPATIBLE
MR_CM32
MR_H32_21mm
MR_HC32_21mm

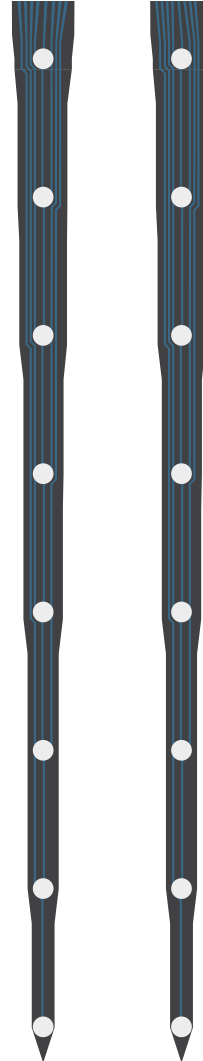
thickness

15 µm
50 µm

A4x8-5mm-200-200-703



TIP DETAIL



available packages

ACUTE

A32

CHRONIC

CM32
H32_21mm
HC32_21mm
HZ32_21mm
Z32

OPTOGENETICS

OA32LP
OA32LP_v2
OCM32LP
OH32LP (oDrive)
OXA32LP (Optogenix)
OZ32LP

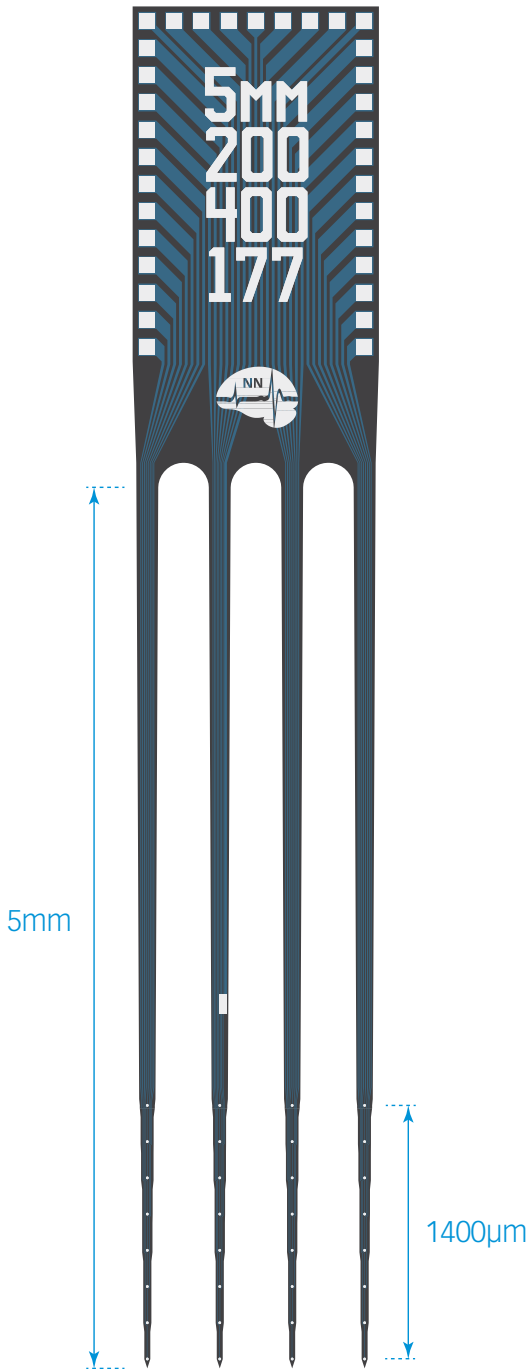
MR-COMPATIBLE

MR_CM32
MR_H32_21mm
MR_HC32_21mm

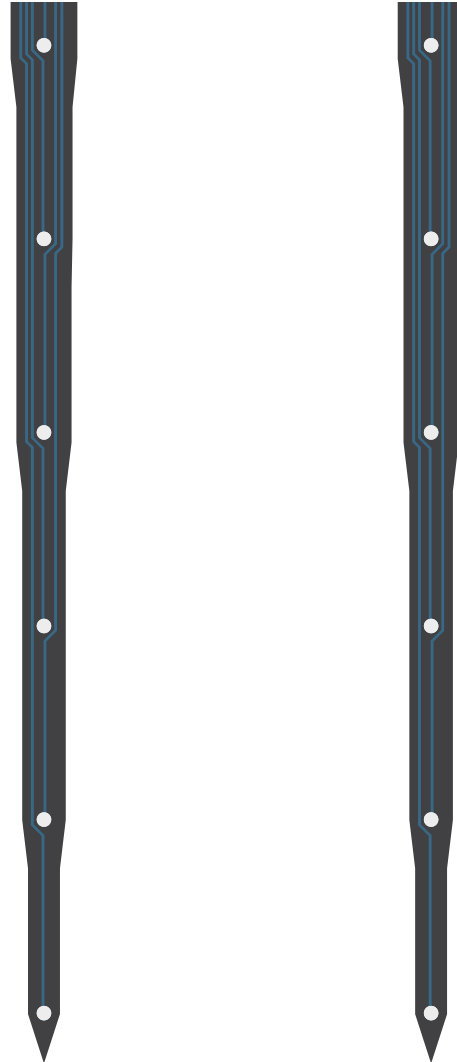
thickness

15 µm

A4x8-5mm-200-400-177



TIP DETAIL



available packages

ACUTE

A32

CHRONIC

CM32
H32_21mm
HC32_21mm
HZ32_21mm
Z32

OPTOGENETICS

OA32LP
OA32LP_v2
OCM32LP
OH32LP (oDrive)
OXA32LP (Optogenix)
OZ32LP

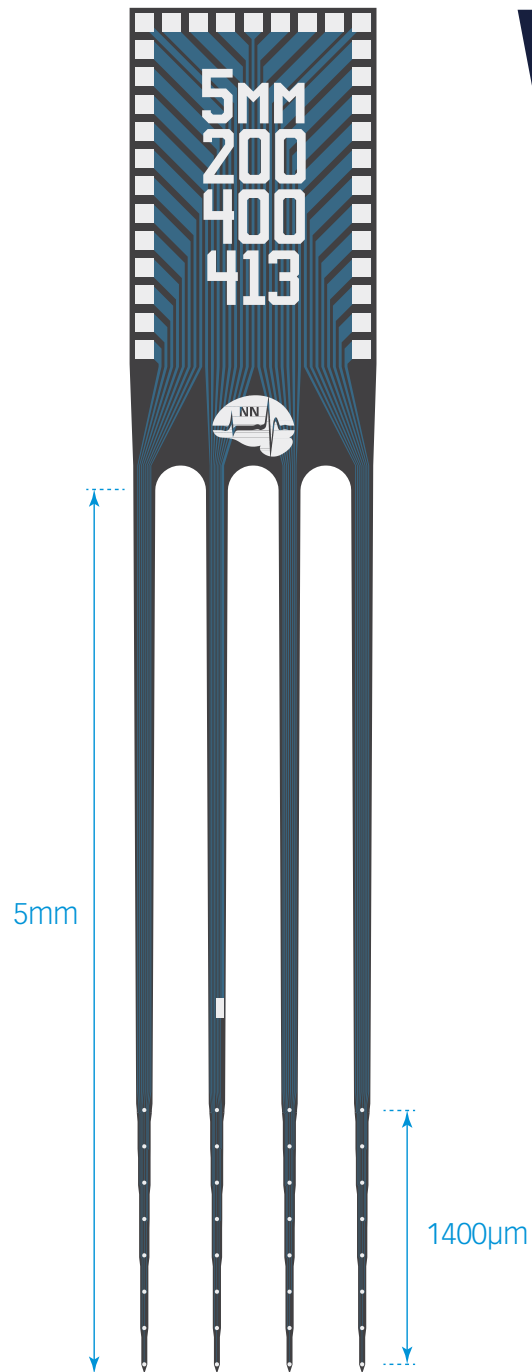
MR-COMPATIBLE

MR_CM32
MR_H32_21mm
MR_HC32_21mm

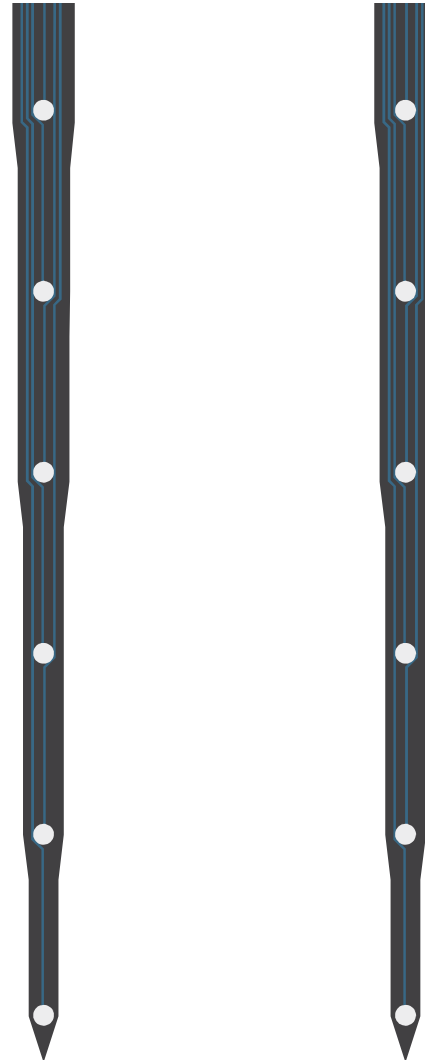
thickness

15 µm

A4x8-5mm-200-400-413



TIP DETAIL



available packages

ACUTE

A32

CHRONIC

CM32
H32_21mm
HC32_21mm
HZ32_21mm
Z32

OPTOGENETICS

OA32LP
OA32LP_v2
OCM32LP
OH32LP (oDrive)
OXA32LP (Optogenix)
OZ32LP

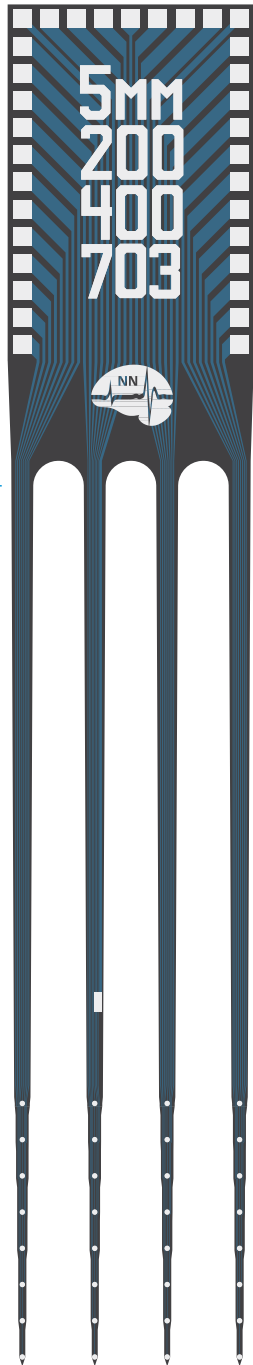
MR-COMPATIBLE

MR_CM32
MR_H32_21mm
MR_HC32_21mm

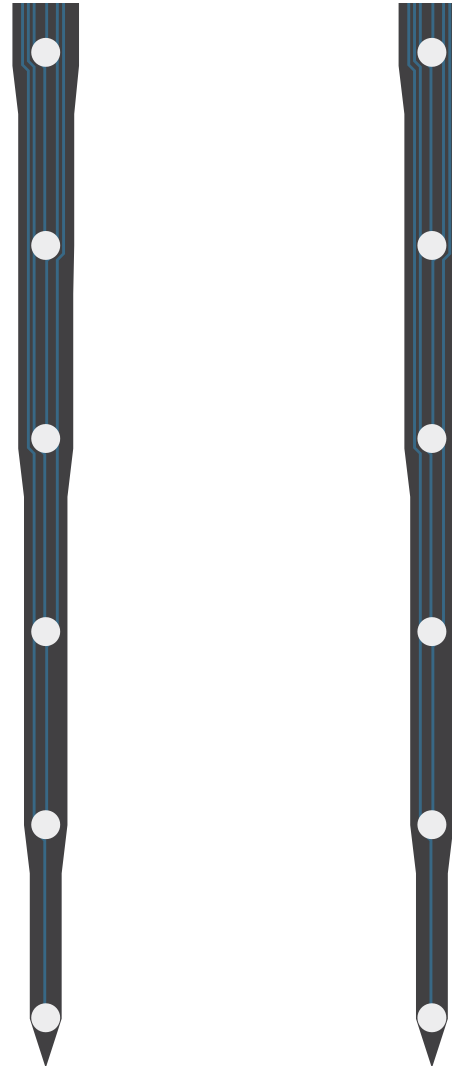
thickness

15 µm

A4x8-5mm-200-400-703



TIP DETAIL



available packages

ACUTE

A32

CHRONIC

CM32
H32_21mm
HC32_21mm
HZ32_21mm
Z32

OPTOGENETICS

OA32LP
OA32LP_v2
OCM32LP
OH32LP (oDrive)
OXA32LP (Optogenix)
OZ32LP

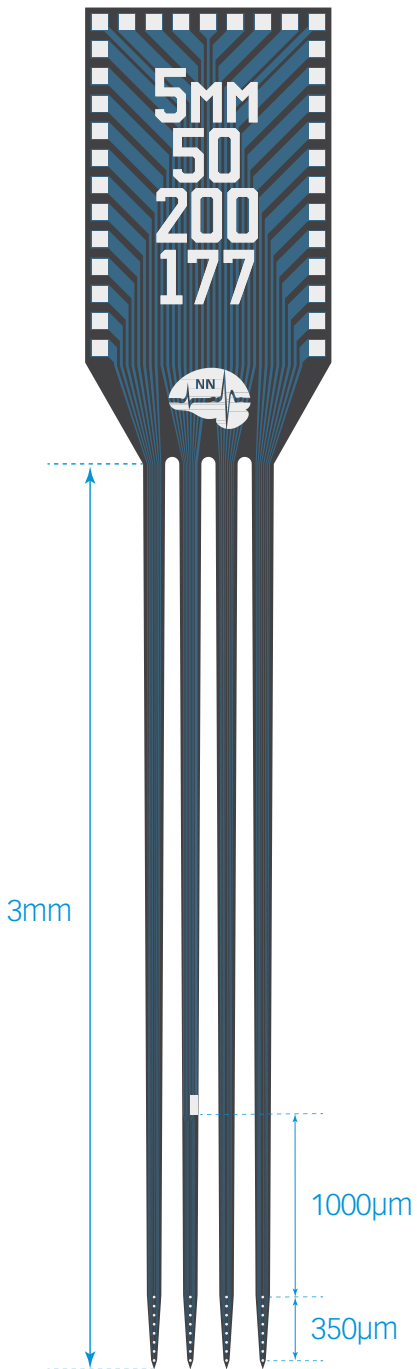
MR-COMPATIBLE

MR_CM32
MR_H32_21mm
MR_HC32_21mm

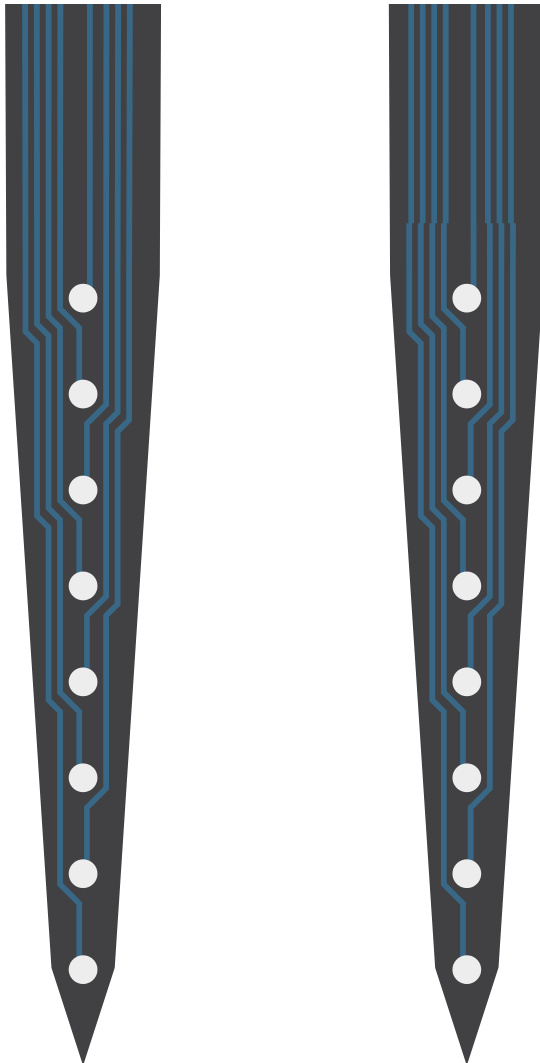
thickness

15 µm

A4x8-5mm-50-200-177



TIP DETAIL



available packages

ACUTE

A32

CHRONIC

CM32
H32_21mm
HC32_21mm
HZ32_21mm
Z32

OPTOGENETICS

OA32LP
OA32LP_v2
OCM32LP
OH32LP (oDrive)
OXA32LP (Optogenix)
OZ32LP

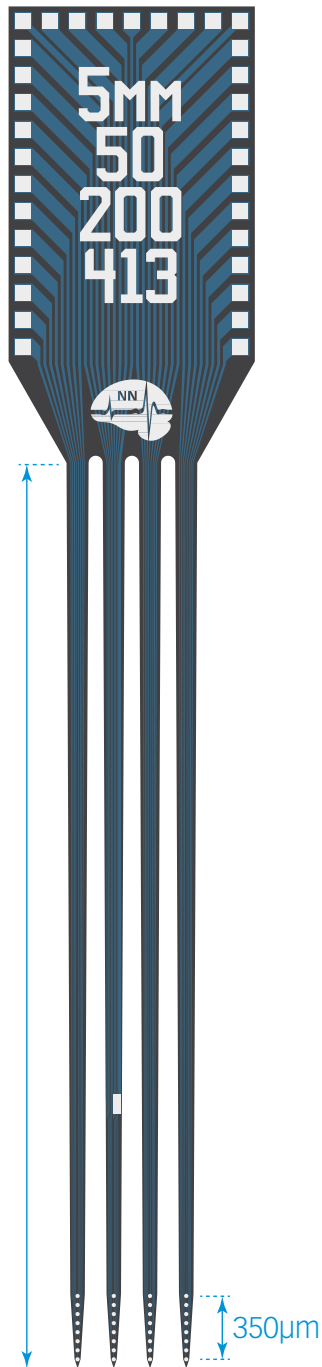
MR-COMPATIBLE

MR_CM32
MR_H32_21mm
MR_HC32_21mm

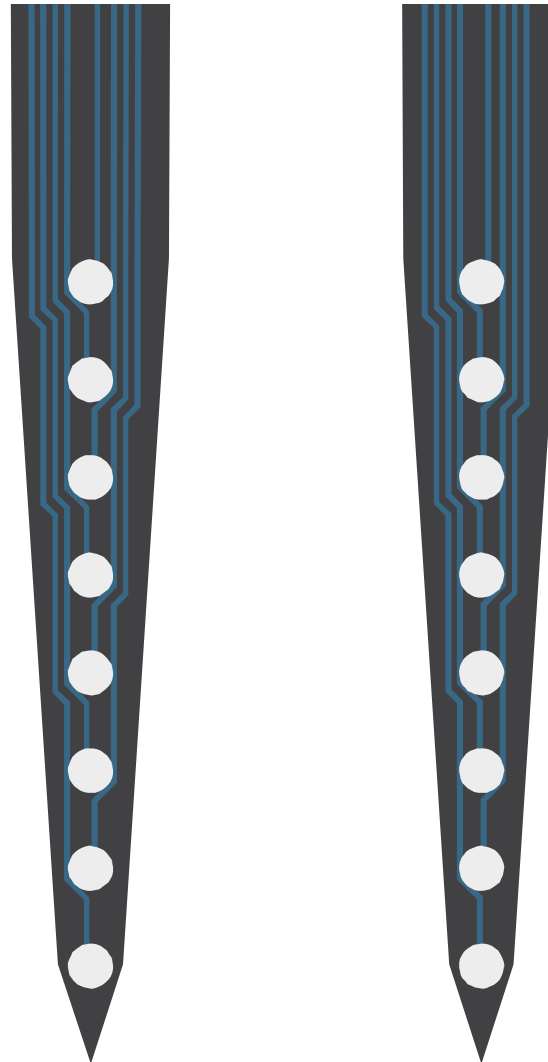
thickness

15 µm
50 µm

A4x8-5mm-50-200-413



TIP DETAIL



available packages

ACUTE
A32

CHRONIC
CM32
H32_21mm
HC32_21mm
HZ32_21mm
Z32

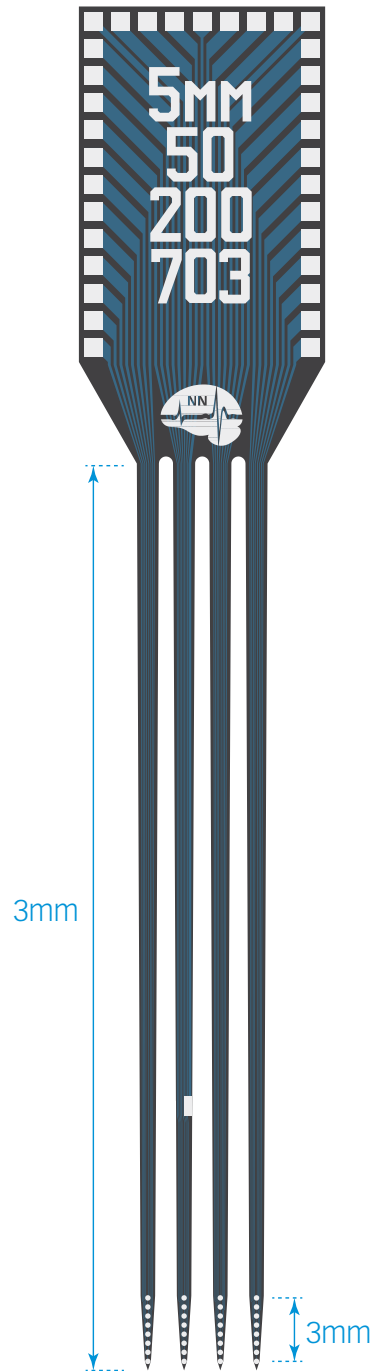
OPTOGENETICS
OA32LP
OA32LP_v2
OCM32LP
OH32LP (oDrive)
OXA32LP (Optogenix)
OZ32LP

MR-COMPATIBLE
MR_CM32
MR_H32_21mm
MR_HC32_21mm

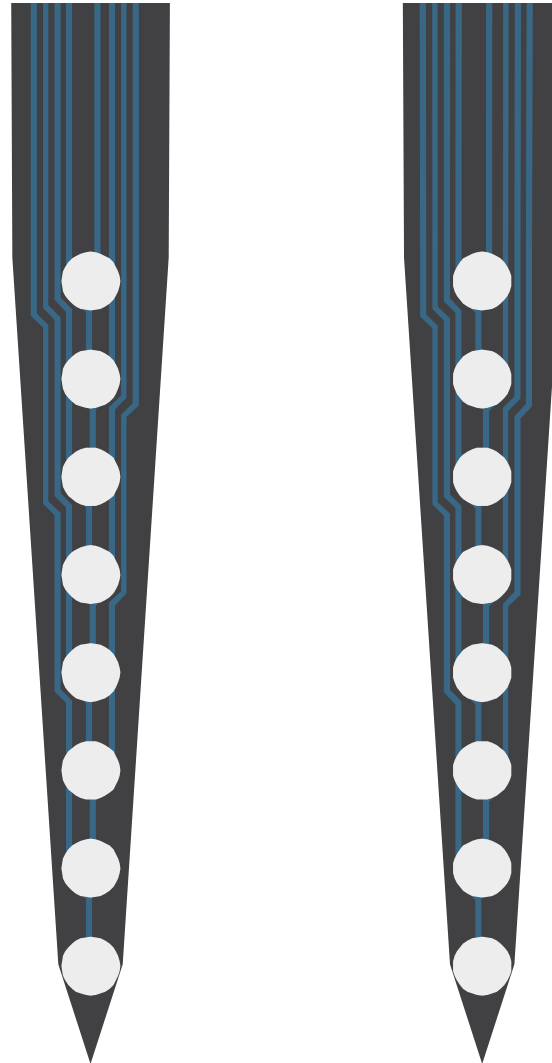
thickness

50 µm

A4x8-5mm-50-200-703



TIP DETAIL



available packages

ACUTE

A32

CHRONIC

CM32
H32_21mm
HC32_21mm
HZ32_21mm
Z32

OPTOGENETICS

OA32LP
OA32LP_v2
OCM32LP
OH32LP (oDrive)
OXA32LP (Optogenix)
OZ32LP

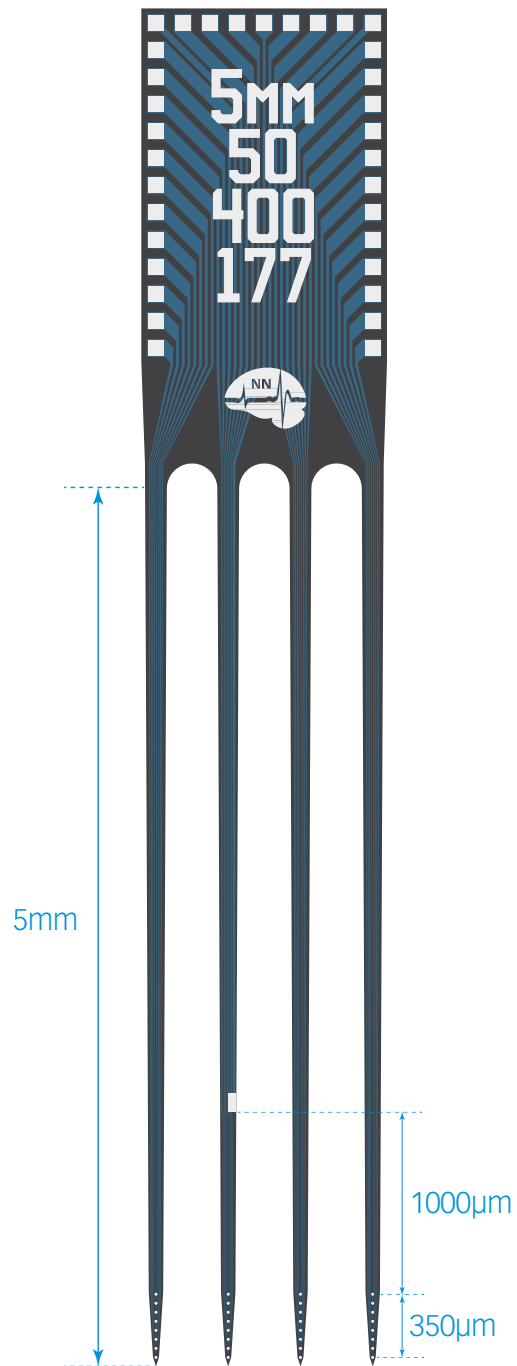
MR-COMPATIBLE

MR_CM32
MR_H32_21mm
MR_HC32_21mm

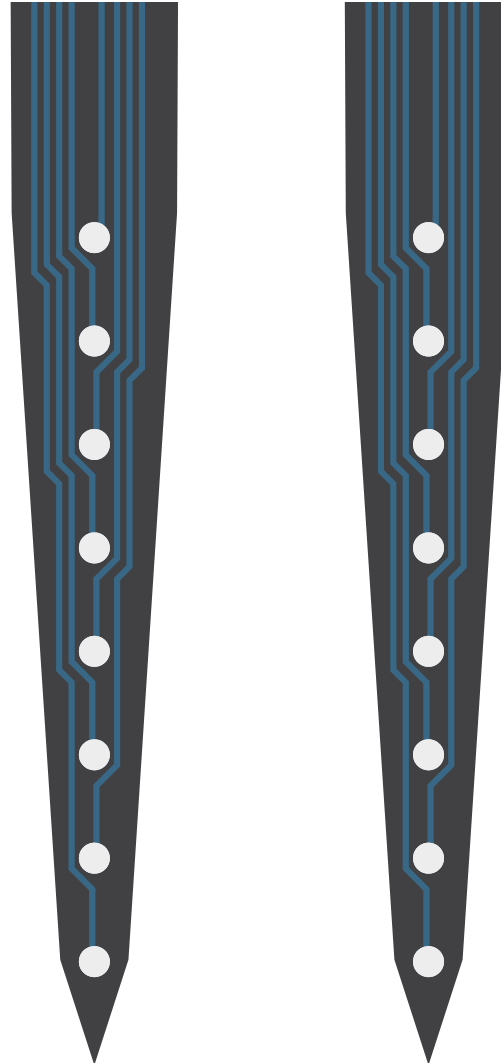
thickness

50 μm

A4x8-5mm-50-400-177



TIP DETAIL



available packages

ACUTE

A32

CHRONIC

CM32
H32_21mm
HC32_21mm
HZ32_21mm
Z32

OPTOGENETICS

OA32LP
OA32LP_v2
OCM32LP
OH32LP (oDrive)
OXA32LP (Optogenix)
OZ32LP

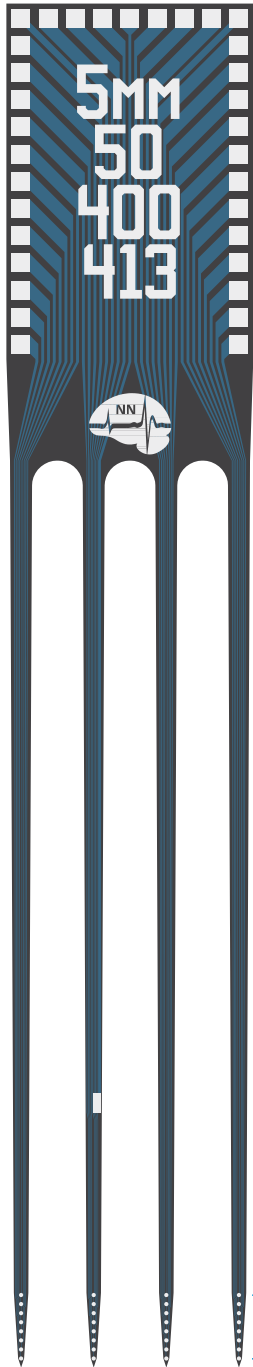
MR-COMPATIBLE

MR_CM32
MR_H32_21mm
MR_HC32_21mm

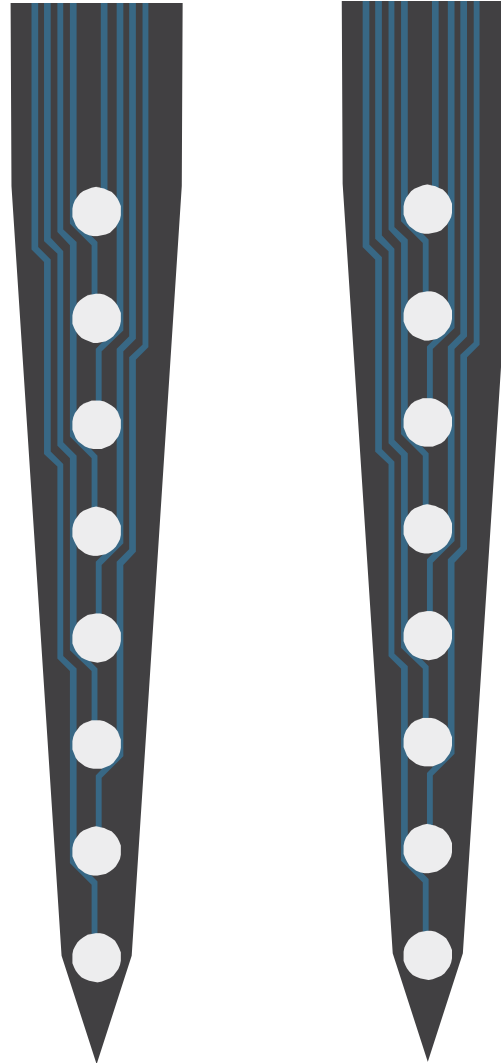
thickness

15 µm
50 µm

A4x8-5mm-50-400-413



TIP DETAIL



available packages

ACUTE
A32

CHRONIC
CM32
H32_21mm
HC32_21mm
HZ32_21mm
Z32

OPTOGENETICS
OA32LP
OA32LP_v2
OCM32LP
OH32LP (oDrive)
OXA32LP (Optogenix)
OZ32LP

MR-COMPATIBLE
MR_CM32
MR_H32_21mm
MR_HC32_21mm

thickness

15 µm
50 µm

A4x8-5mm-50-400-703

available packages

ACUTE

A32

CHRONIC

CM32
H32_21mm
HC32_21mm
HZ32_21mm
Z32

OPTOGENETICS

OA32LP
OA32LP_v2
OCM32LP
OH32LP (oDrive)
OXA32LP (Optogenix)
OZ32LP

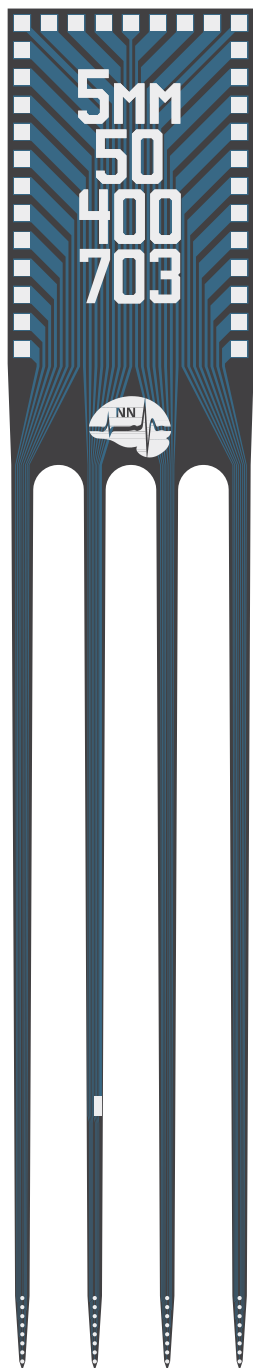
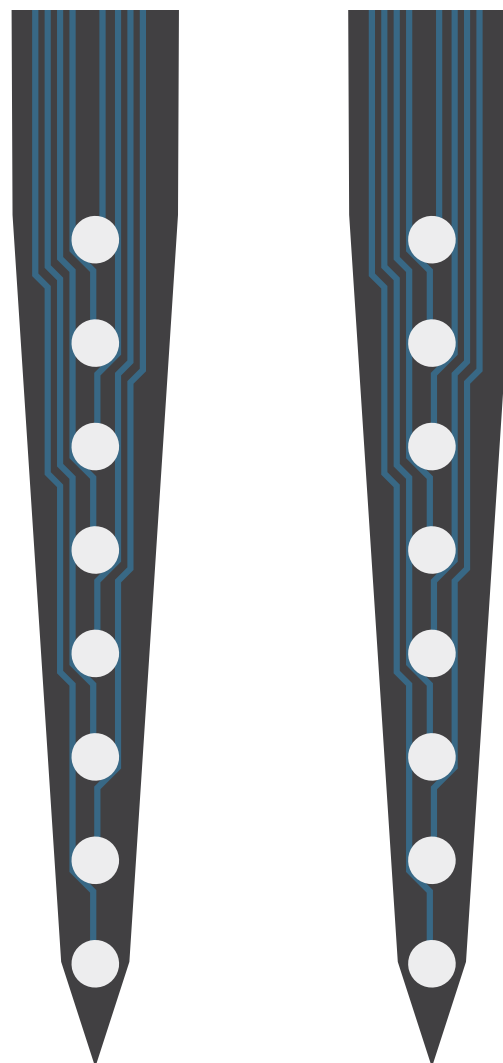
MR-COMPATIBLE

MR_CM32
MR_H32_21mm
MR_HC32_21mm

thickness

15 μ m

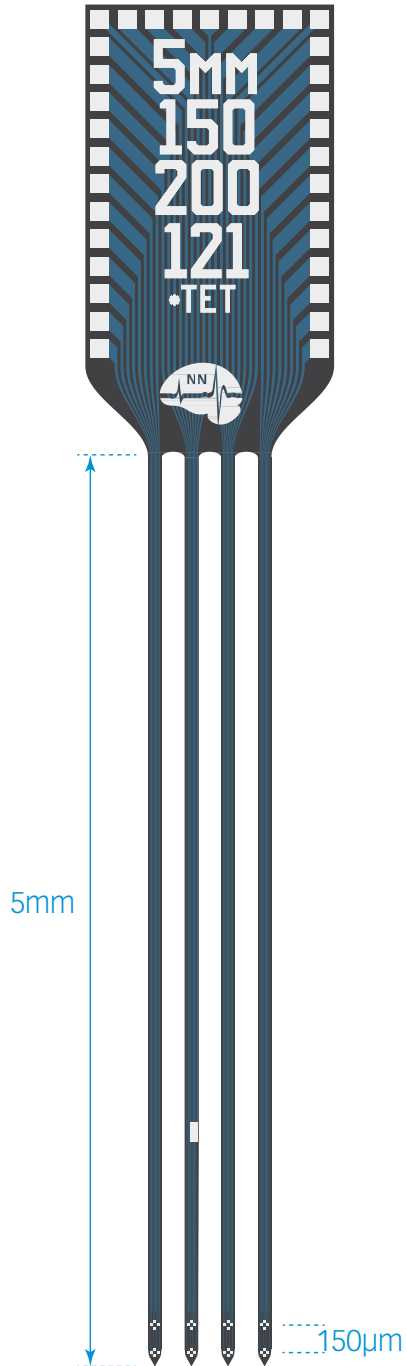
TIP DETAIL



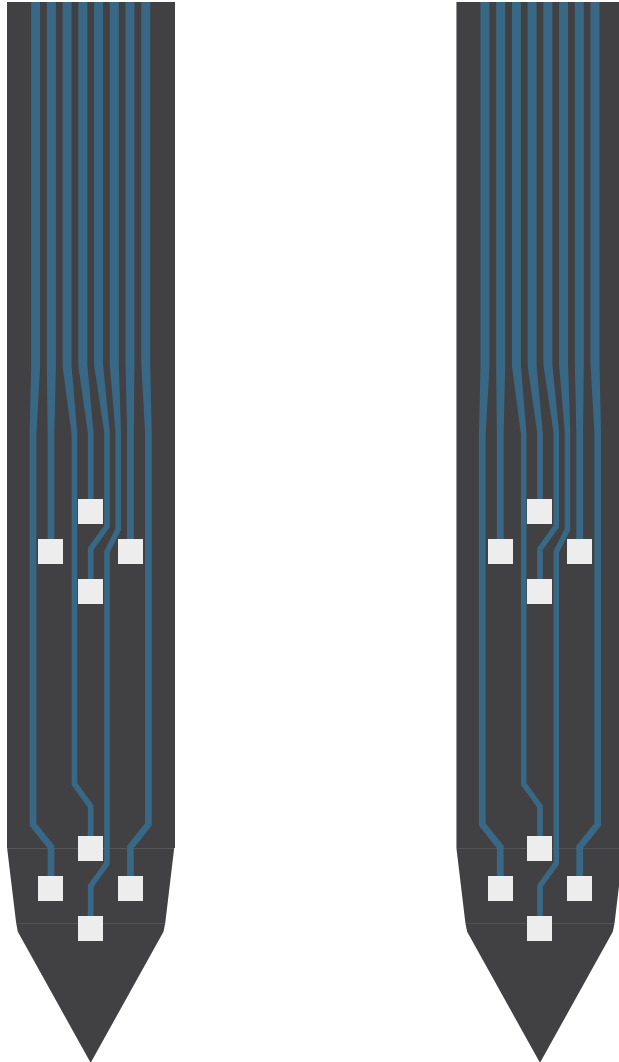
5mm

350 μ m

A4x2-tet-5mm-150-200-121



TIP DETAIL



available packages

ACUTE
A32

CHRONIC
CM32
H32_21mm
HC32_21mm
HZ32_21mm
Z32

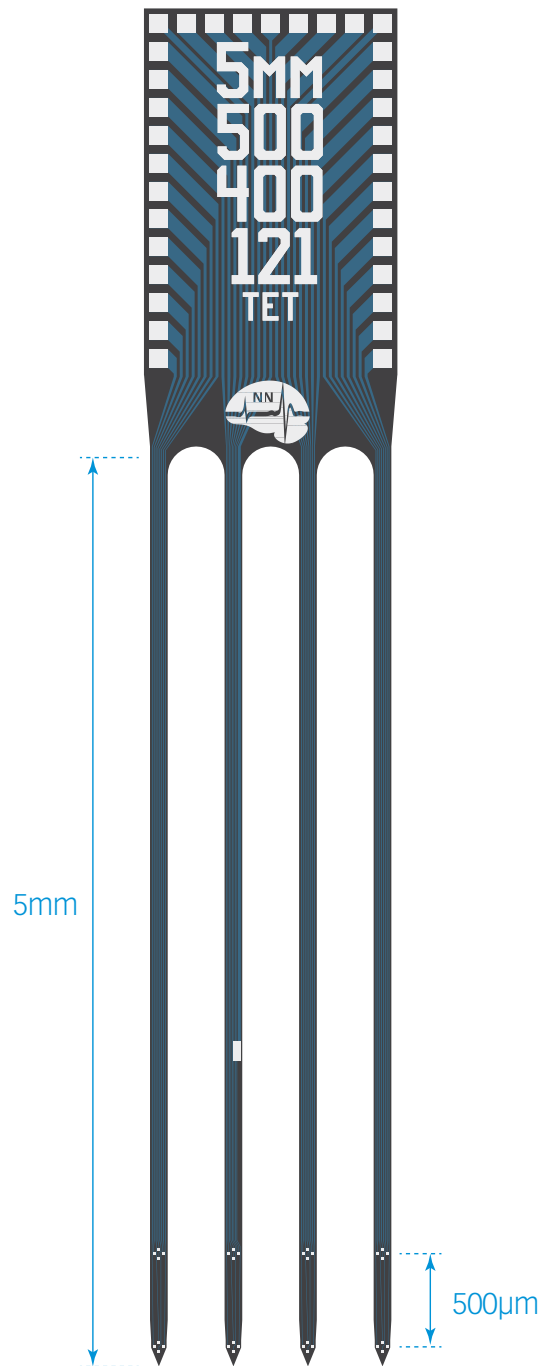
OPTOGENETICS
OA32LP
OA32LP_v2
OCM32LP
OH32LP (oDrive)
OXA32LP (Optogenix)
OZ32LP

MR-COMPATIBLE
MR_CM32
MR_H32_21mm
MR_HC32_21mm

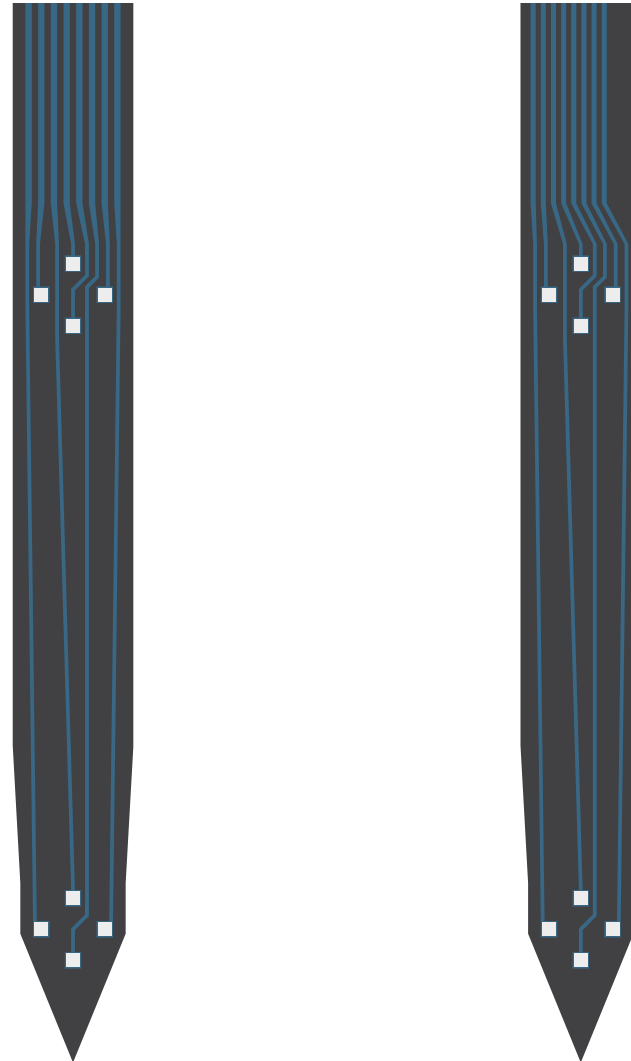
thickness

15 µm

A4x2-tet-5mm-500-400-121



TIP DETAIL



available packages

ACUTE

A32

CHRONIC

CM32
H32_21mm
HC32_21mm
HZ32_21mm
Z32

OPTOGENETICS

OA32LP
OA32LP_v2
OCM32LP
OH32LP (oDrive)
OXA32LP (Optogenix)
OZ32LP

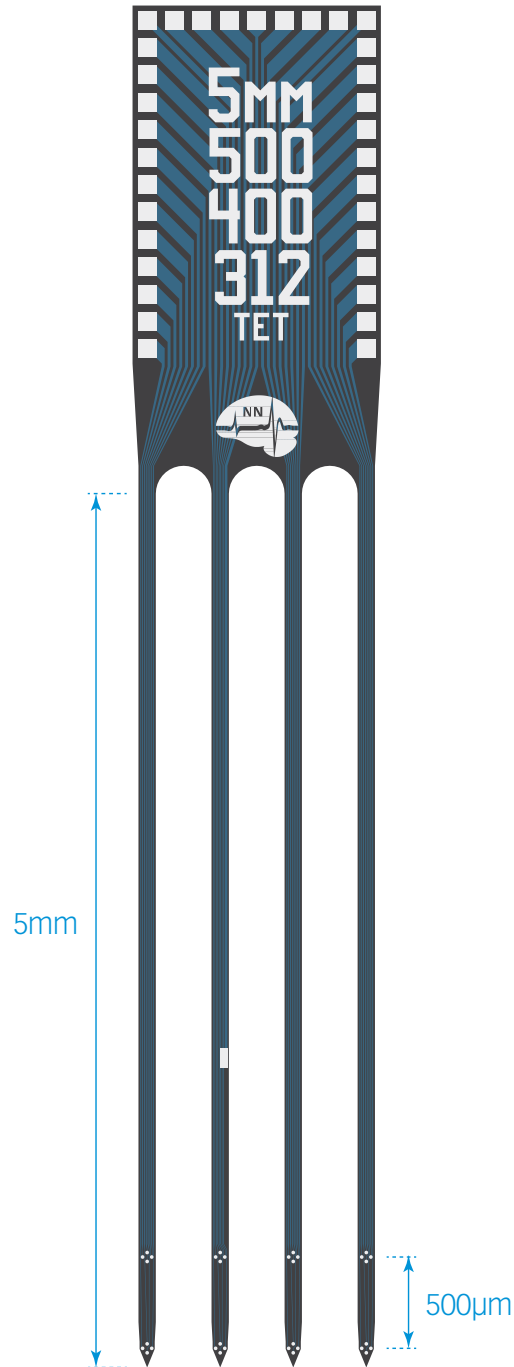
MR-COMPATIBLE

MR_CM32
MR_H32_21mm
MR_HC32_21mm

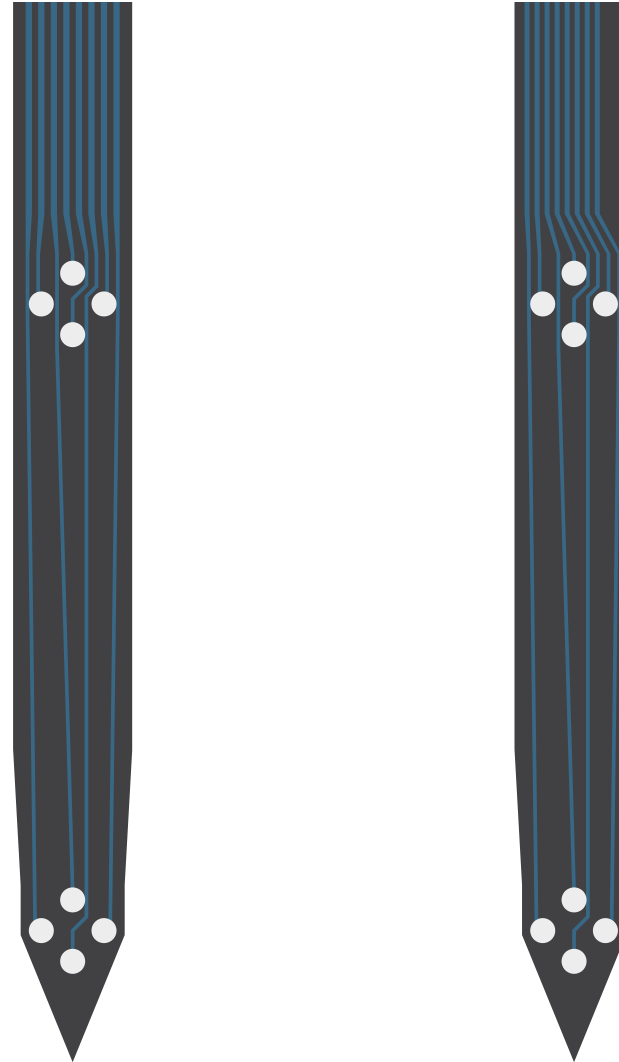
thickness

15 µm

A4x2-tet-5mm-500-400-312



TIP DETAIL



available packages

ACUTE
A32

CHRONIC
CM32
H32_21mm
HC32_21mm
HZ32_21mm
Z32

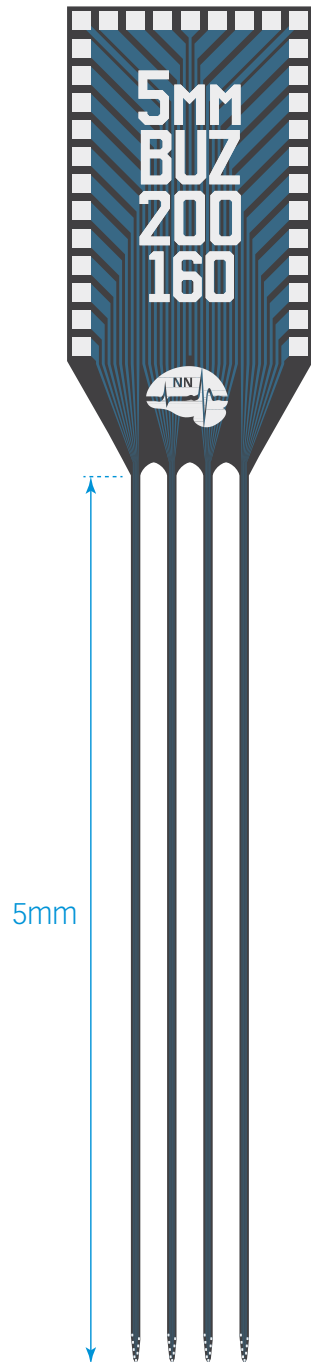
OPTOGENETICS
OA32LP
OA32LP_v2
OCM32LP
OH32LP (oDrive)
OXA32LP (Optogenix)
OZ32LP

MR-COMPATIBLE
MR_CM32
MR_H32_21mm
MR_HC32_21mm

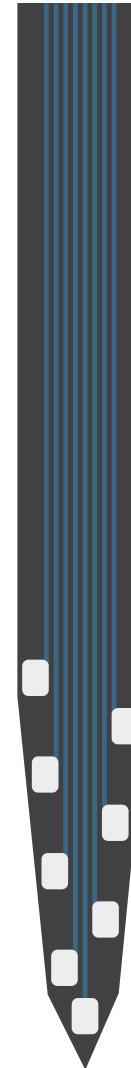
thickness

15 µm

Buzsaki32



TIP DETAIL



available packages

ACUTE
A32

CHRONIC
CM32
H32_21mm
HC32_21mm
HZ32_21mm
Z32

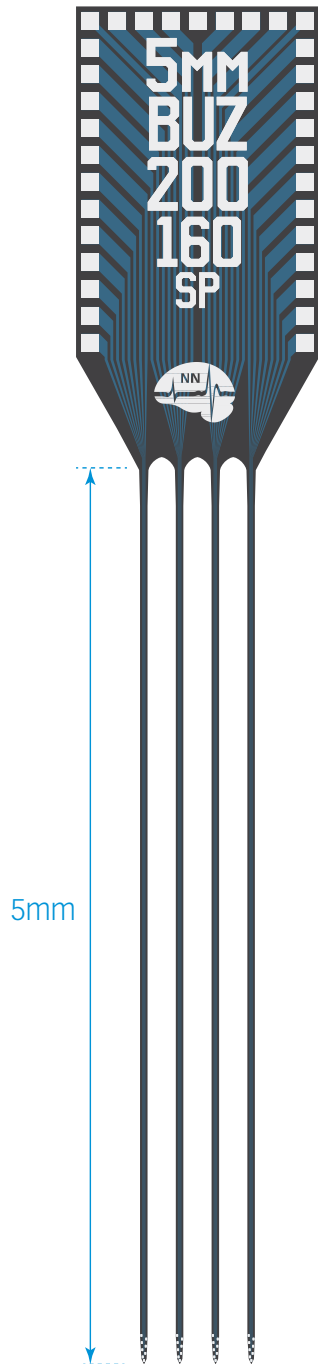
OPTOGENETICS
OA32LP
OA32LP_v2
OCM32LP
OH32LP (oDrive)
OXA32LP (Optogenix)
OZ32LP

MR-COMPATIBLE
MR_CM32
MR_H32_21mm
MR_HC32_21mm

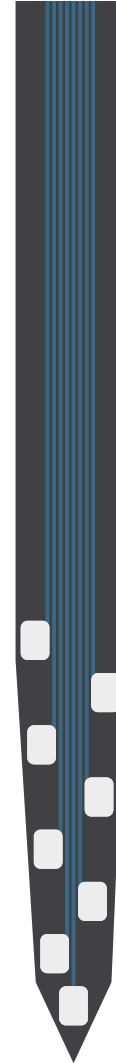
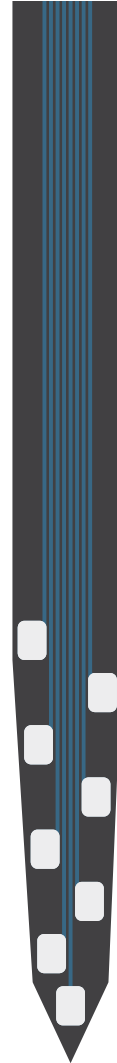
thickness

15 μm
50 μm

Buzsaki32sp



TIP DETAIL



available
packages

ACUTE
A32

CHRONIC
CM32
H32_21mm
HC32_21mm
HZ32_21mm
Z32

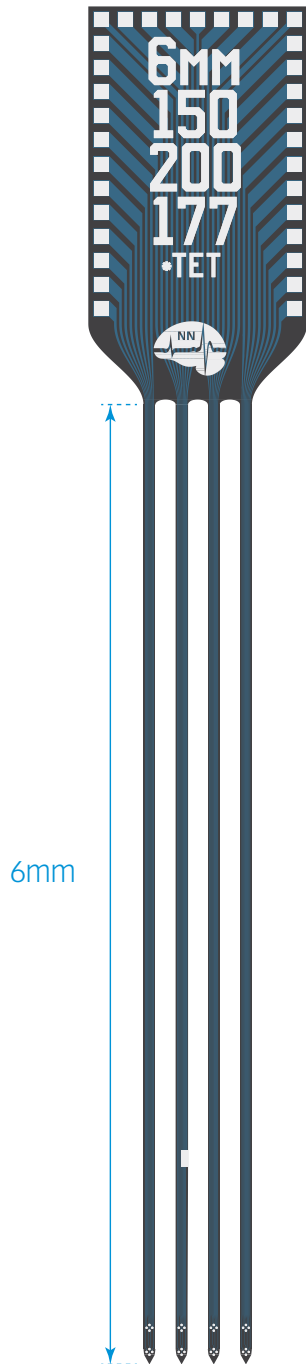
OPTOGENETICS
OA32LP
OA32LP_v2
OCM32LP
OH32LP (oDrive)
OXA32LP (Optogenix)
OZ32LP

MR-COMPATIBLE
MR_CM32
MR_H32_21mm
MR_HC32_21mm

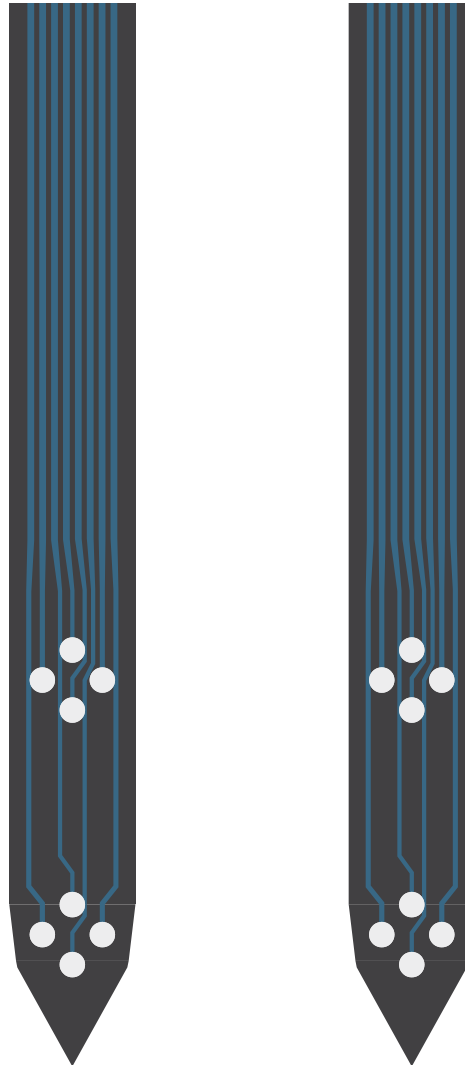
thickness

15 μ m

A4x2-tet-6mm-150-200-177

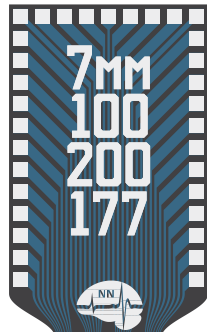


TIP DETAIL



- available packages
- ACUTE**
A32
 - CHRONIC**
CM32
H32_21mm
HC32_21mm
HZ32_21mm
Z32
 - OPTOGENETICS**
OA32LP
OA32LP_v2
OCM32LP
OH32LP (oDrive)
OXA32LP (Optogenix)
OZ32LP
 - MR-COMPATIBLE**
MR_CM32
MR_H32_21mm
MR_HC32_21mm

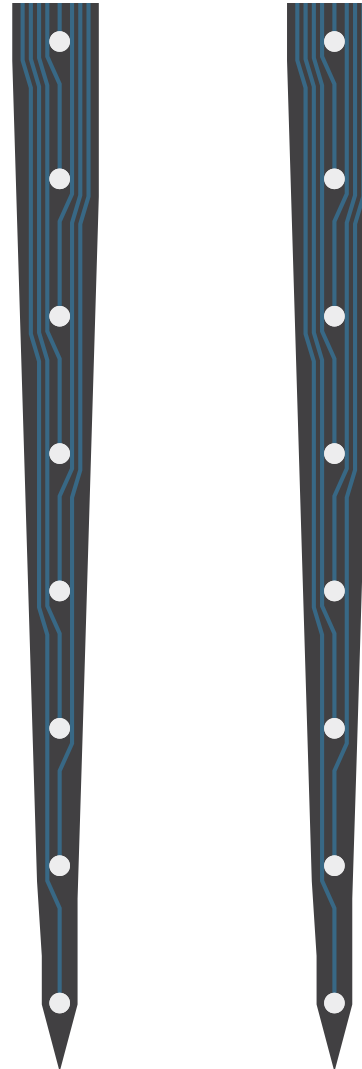
thickness
15 μ m



7mm

700µm

TIP DETAIL



A4x8-7mm-100-200-177

available packages

ACUTE

A32

CHRONIC

CM32
H32_21mm
HC32_21mm
HZ32_21mm
Z32

OPTOGENETICS

OA32LP
OA32LP_v2
OCM32LP
OH32LP (oDrive)
OXA32LP (Optogenix)
OZ32LP

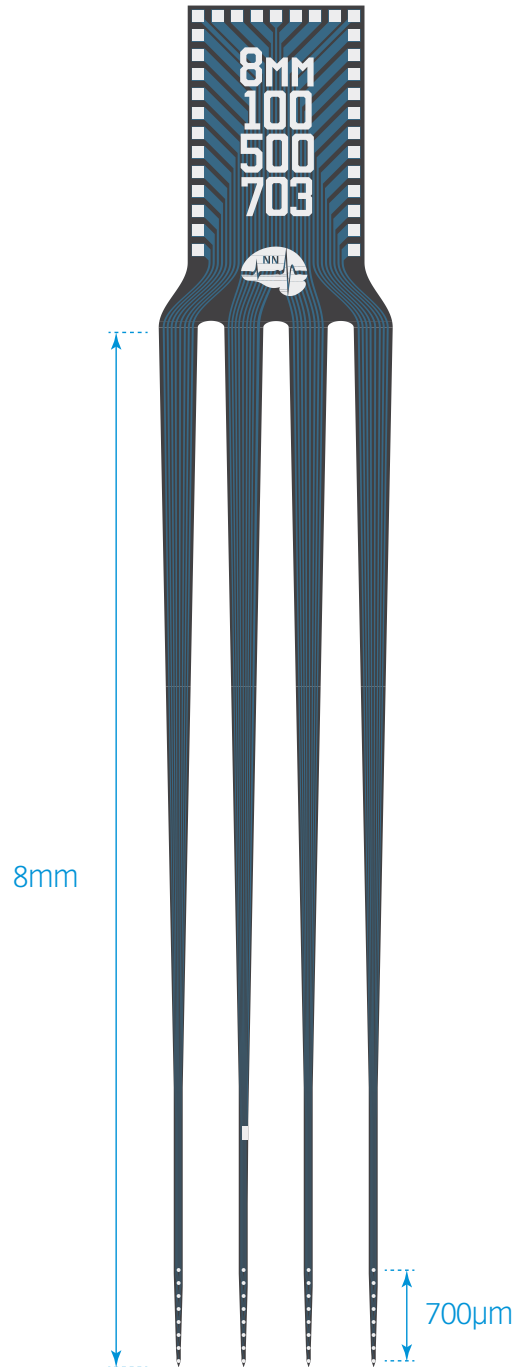
MR-COMPATIBLE

MR_CM32
MR_H32_21mm
MR_HC32_21mm

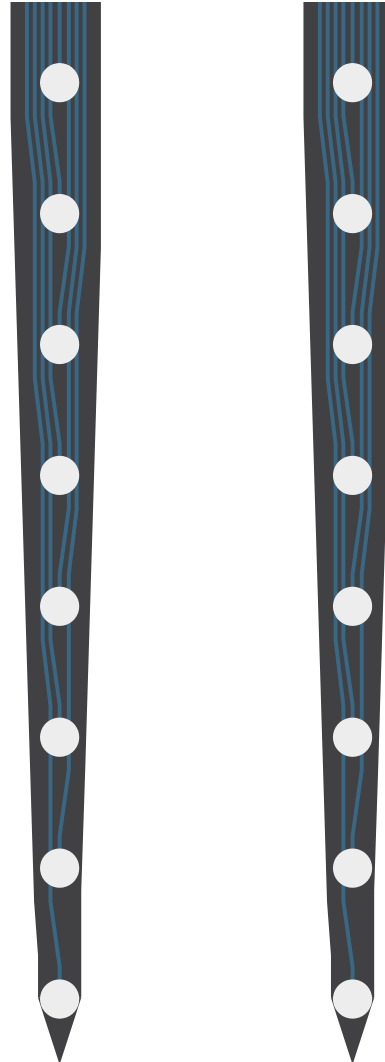
thickness

50 µm

A4x8-8mm-100-500-703



TIP DETAIL



available packages

ACUTE
A32

CHRONIC
CM32
H32_21mm
HC32_21mm
HZ32_21mm
Z32

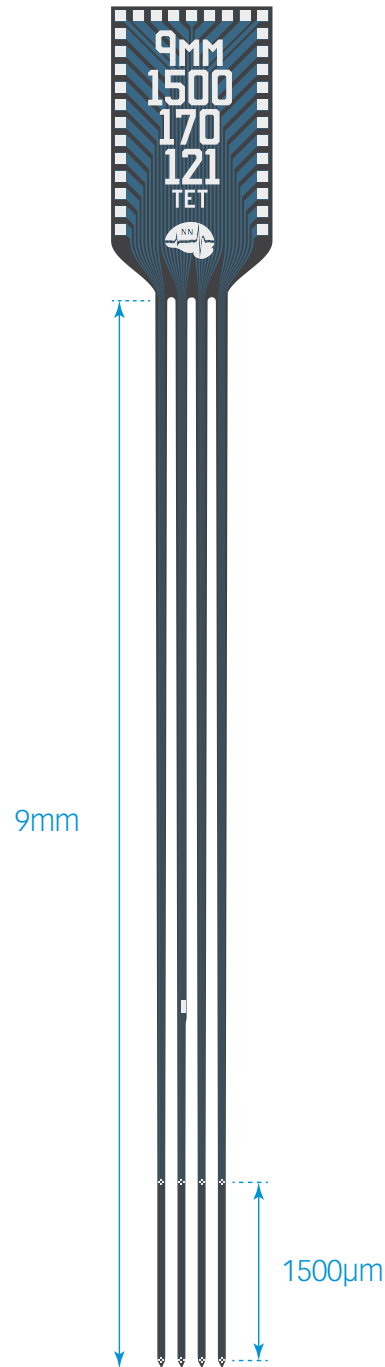
OPTOGENETICS
OA32LP
OA32LP_v2
OCM32LP
OH32LP (oDrive)
OXA32LP (Optogenix)
OZ32LP

MR-COMPATIBLE
MR_CM32
MR_H32_21mm
MR_HC32_21mm

thickness

15 µm

A4x2-tet-9mm-1500-170-121 (Pelfort)



TIP DETAIL



available packages

ACUTE

A32

CHRONIC

CM32
H32_21mm
HC32_21mm
HZ32_21mm
Z32

OPTOGENETICS

OA32LP
OA32LP_v2
OCM32LP
OH32LP (oDrive)
OXA32LP (Optogenix)
OZ32LP

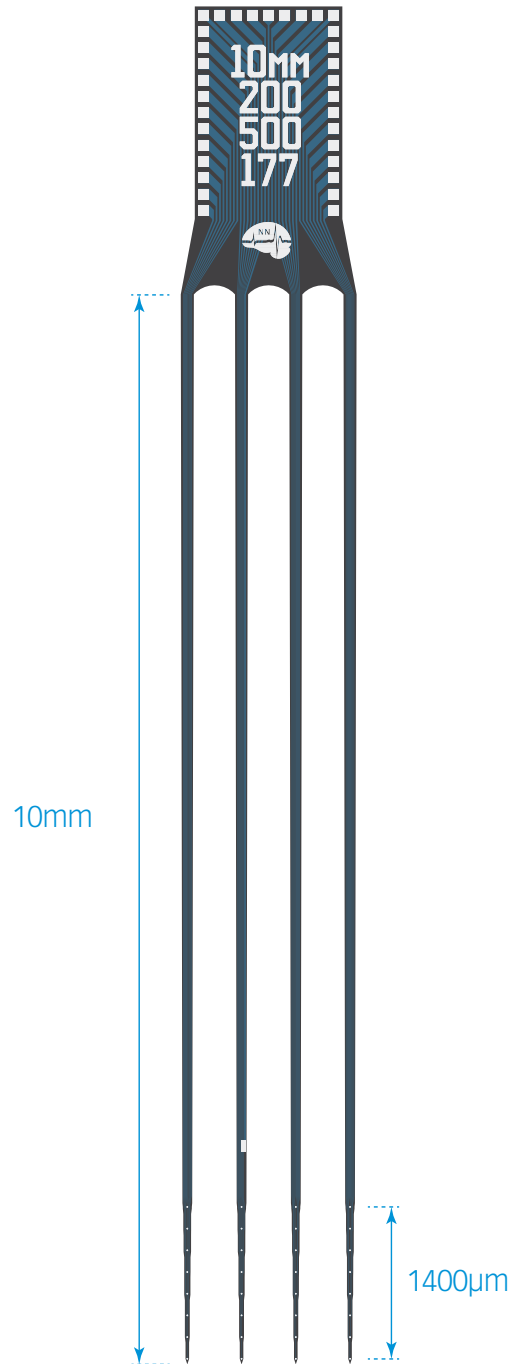
MR-COMPATIBLE

MR_CM32
MR_H32_21mm
MR_HC32_21mm

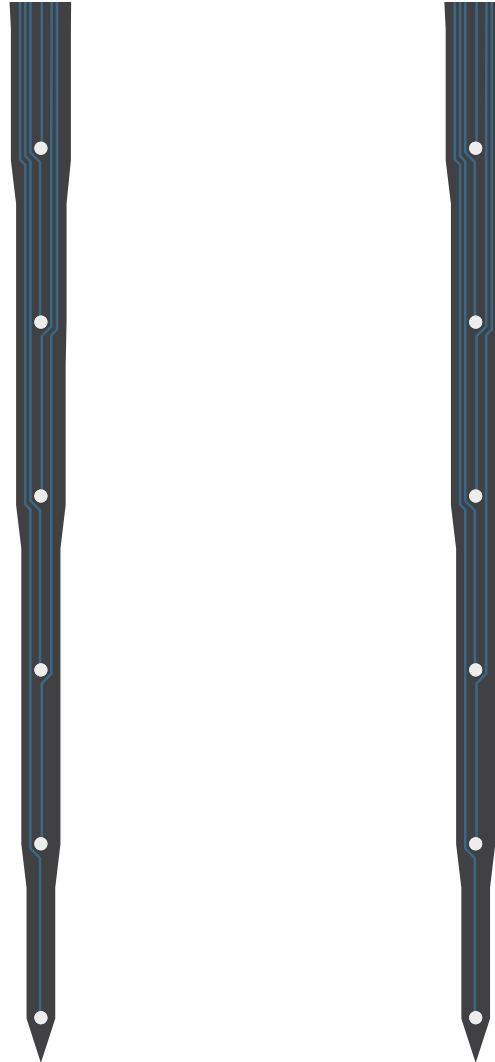
thickness

50 µm

A4x8-10mm-200-500-177



TIP DETAIL



available packages

ACUTE
A32

CHRONIC
CM32
H32_21mm
HC32_21mm
HZ32_21mm
Z32

OPTOGENETICS
OA32LP
OA32LP_v2
OCM32LP
OH32LP (oDrive)
OXA32LP (Optogenix)
OZ32LP

MR-COMPATIBLE
MR_CM32
MR_H32_21mm
MR_HC32_21mm

thickness

50 µm

A4x8-10mm-200-500-703

available packages

ACUTE
A32

CHRONIC
CM32
H32_21mm
HC32_21mm
HZ32_21mm
Z32

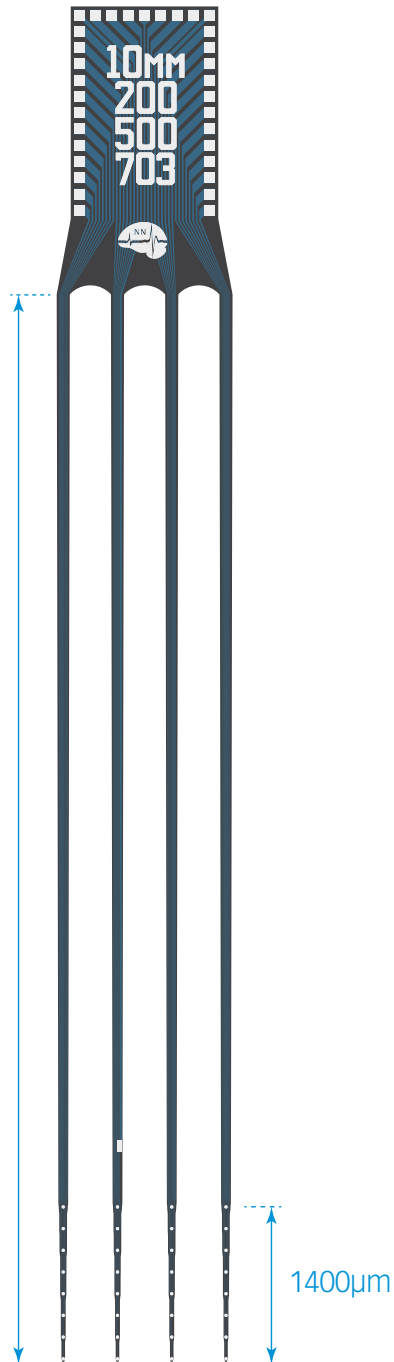
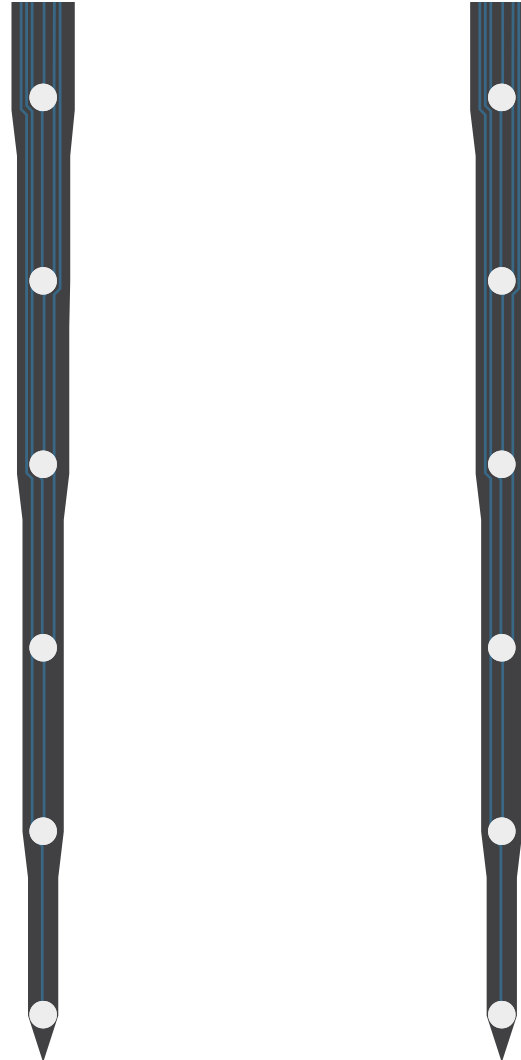
OPTOGENETICS
OA32LP
OA32LP_v2
OCM32LP
OH32LP (oDrive)
OXA32LP (Optogenix)
OZ32LP

MR-COMPATIBLE
MR_CM32
MR_H32_21mm
MR_HC32_21mm

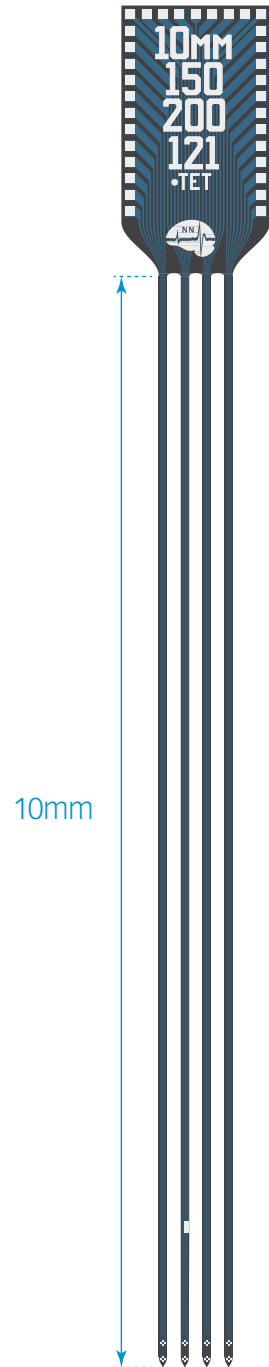
thickness

50 μm

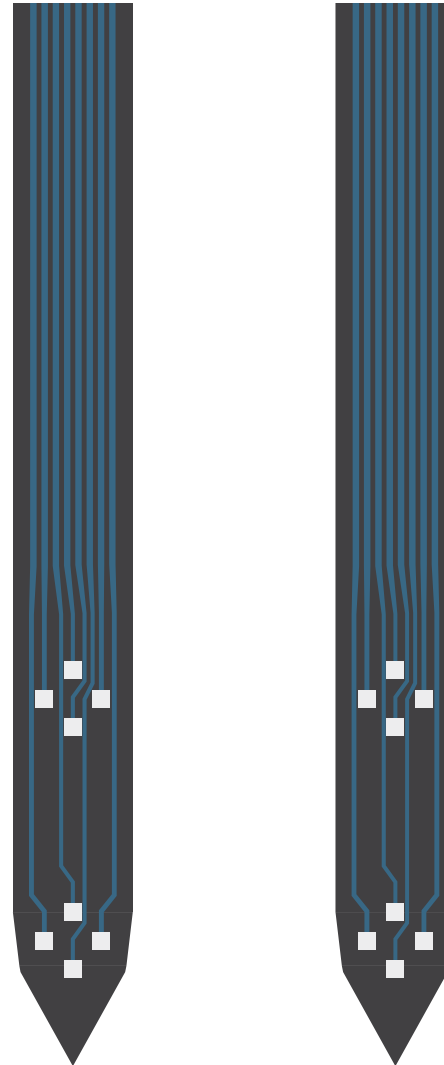
TIP DETAIL



A4x2-tet-10mm-150-200-121



TIP DETAIL



available packages

ACUTE
A32

CHRONIC
CM32
H32_21mm
HC32_21mm
HZ32_21mm
Z32

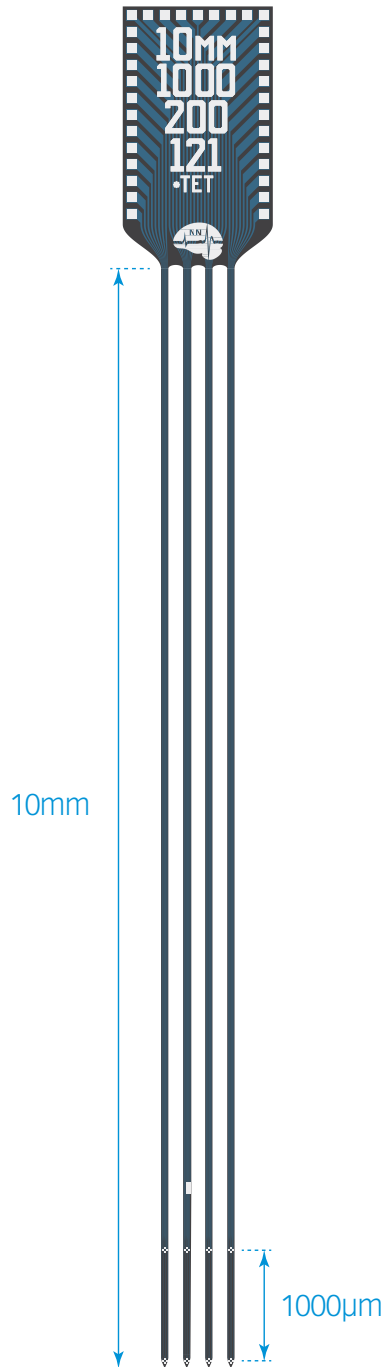
OPTOGENETICS
OA32LP
OA32LP_v2
OCM32LP
OH32LP (oDrive)
OXA32LP (Optogenix)
OZ32LP

MR-COMPATIBLE
MR_CM32
MR_H32_21mm
MR_HC32_21mm

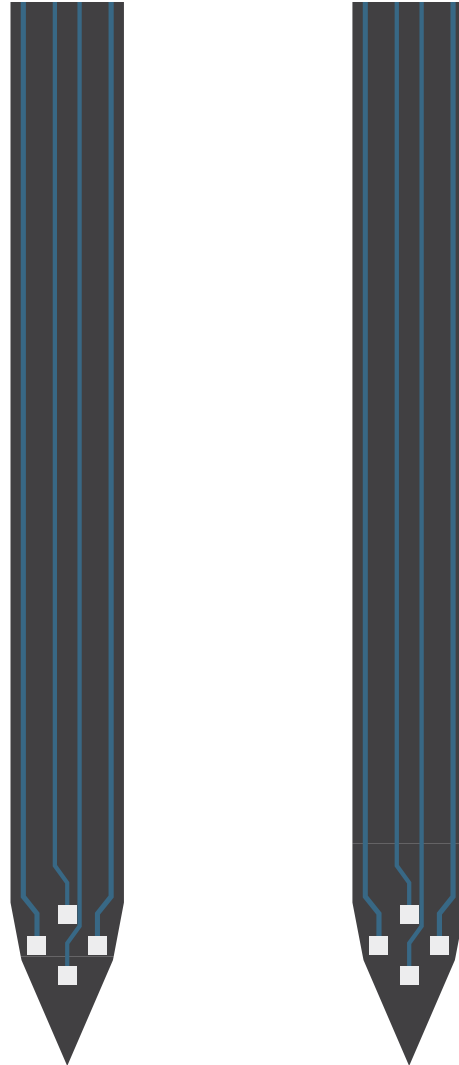
thickness

50 μ m

A4x2-tet-10mm-1000-200-121



TIP DETAIL



available packages

ACUTE

A32

CHRONIC

CM32
H32_21mm
HC32_21mm
HZ32_21mm
Z32

OPTOGENETICS

OA32LP
OA32LP_v2
OCM32LP
OH32LP (oDrive)
OXA32LP (Optogenix)
OZ32LP

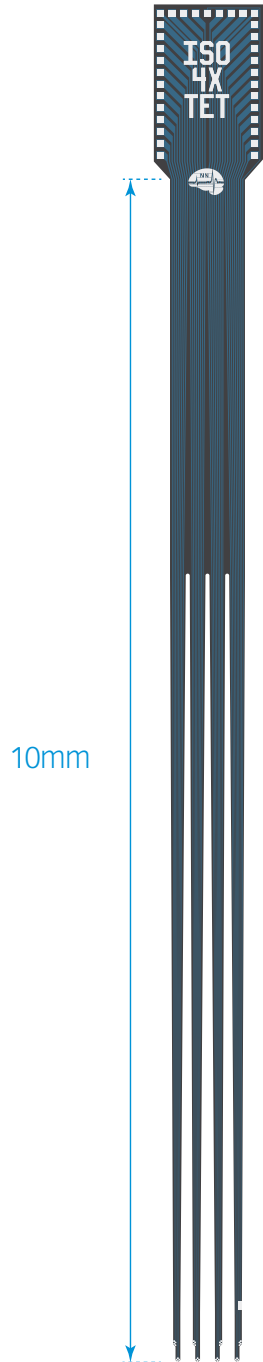
MR-COMPATIBLE

MR_CM32
MR_H32_21mm
MR_HC32_21mm

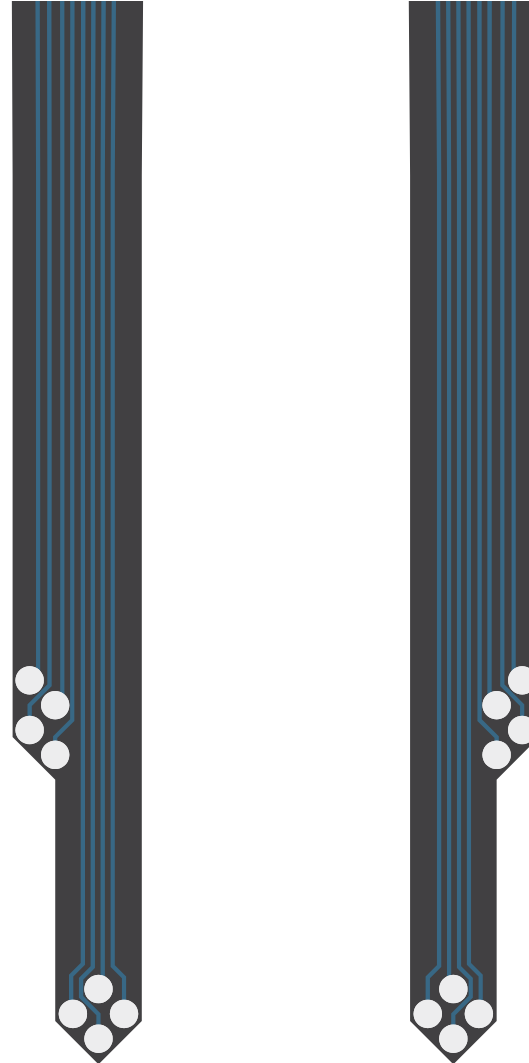
thickness

50 µm

ISO32-4x-tet-10mm



TIP DETAIL



available packages

ACUTE
A32

CHRONIC
CM32
H32_21mm
HC32_21mm
HZ32_21mm
Z32

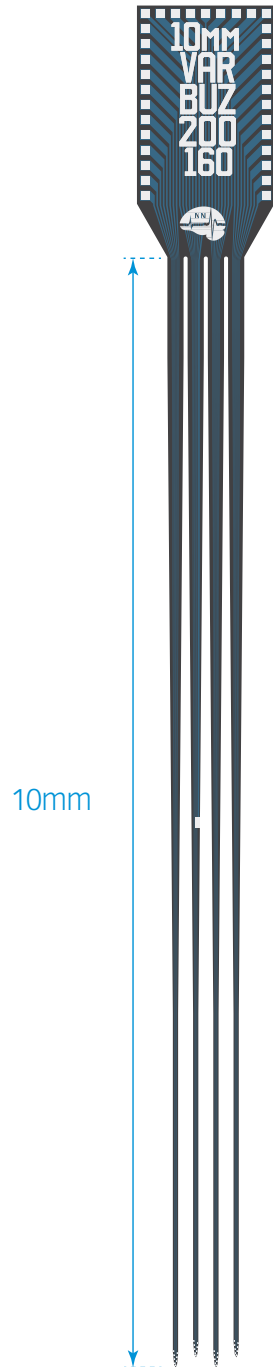
OPTOGENETICS
OA32LP
OA32LP_v2
OCM32LP
OH32LP (oDrive)
OXA32LP (Optogenix)
OZ32LP

MR-COMPATIBLE
MR_CM32
MR_H32_21mm
MR_HC32_21mm

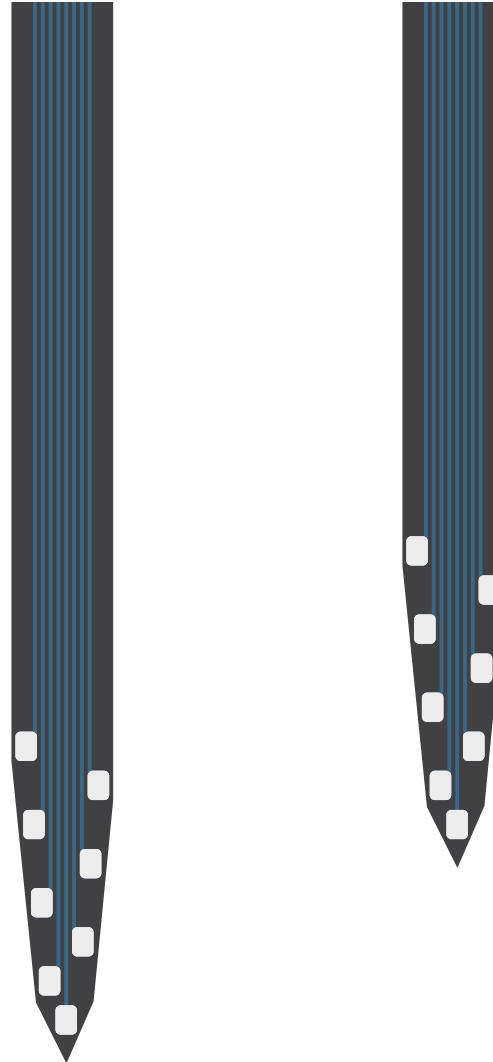
thickness

50 μ m

Buz32L-var



TIP DETAIL



available packages

ACUTE
A32

CHRONIC
CM32
H32_21mm
HC32_21mm
HZ32_21mm
Z32

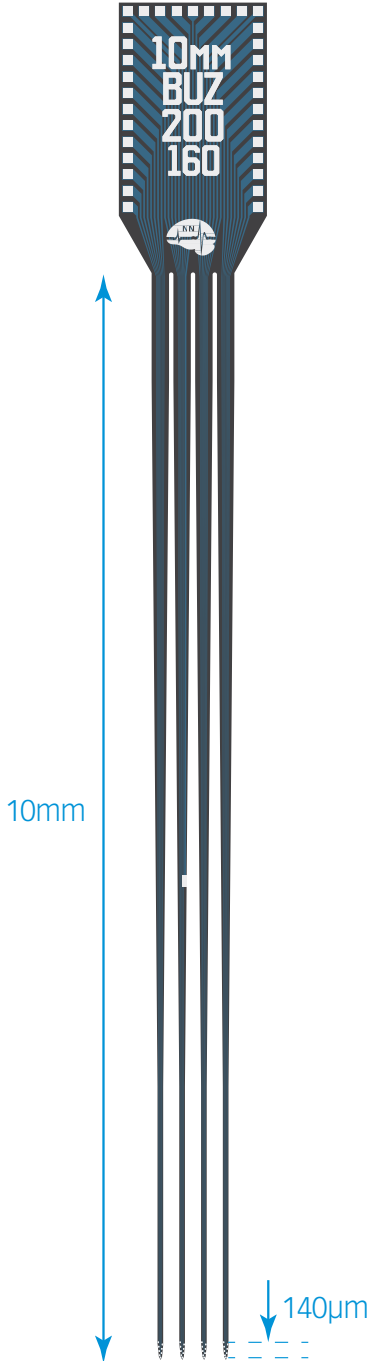
OPTOGENETICS
OA32LP
OA32LP_v2
OCM32LP
OH32LP (oDrive)
OXA32LP (Optogenix)
OZ32LP

MR-COMPATIBLE
MR_CM32
MR_H32_21mm
MR_HC32_21mm

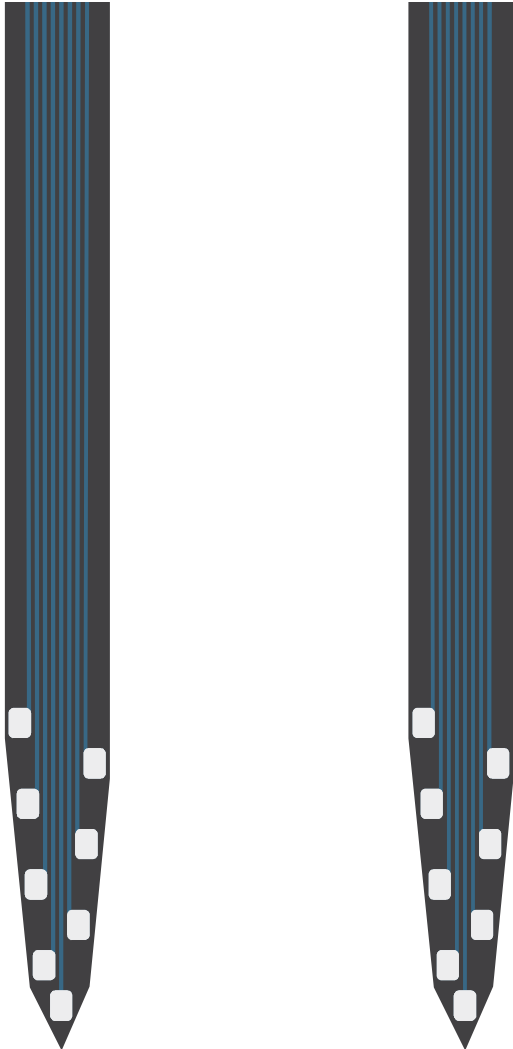
thickness

15 μm
50 μm

Buzsaki32L



TIP DETAIL



available packages

ACUTE
A32

CHRONIC
CM32
H32_21mm
HC32_21mm
HZ32_21mm
Z32

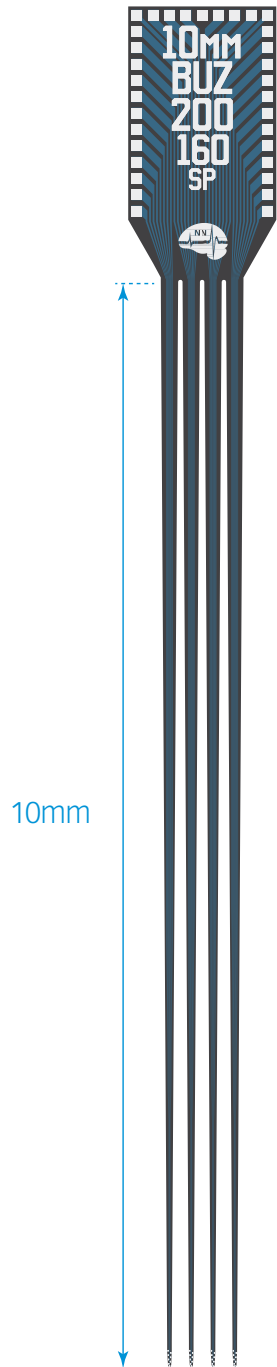
OPTOGENETICS
OA32LP
OA32LP_v2
OCM32LP
OH32LP (oDrive)
OXA32LP (Optogenix)
OZ32LP

MR-COMPATIBLE
MR_CM32
MR_H32_21mm
MR_HC32_21mm

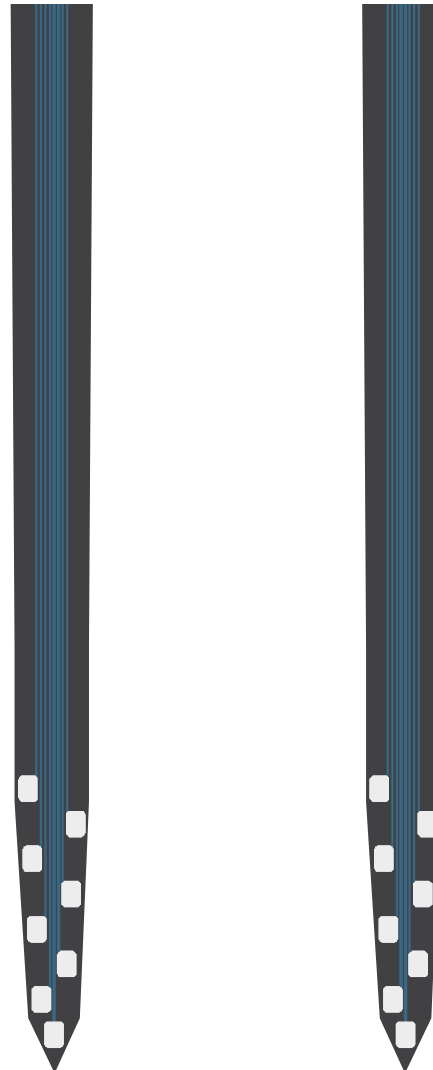
thickness

15 µm
50 µm

Buzsaki32spL



TIP DETAIL



available packages

ACUTE
A32

CHRONIC
CM32
H32_21mm
HC32_21mm
HZ32_21mm
Z32

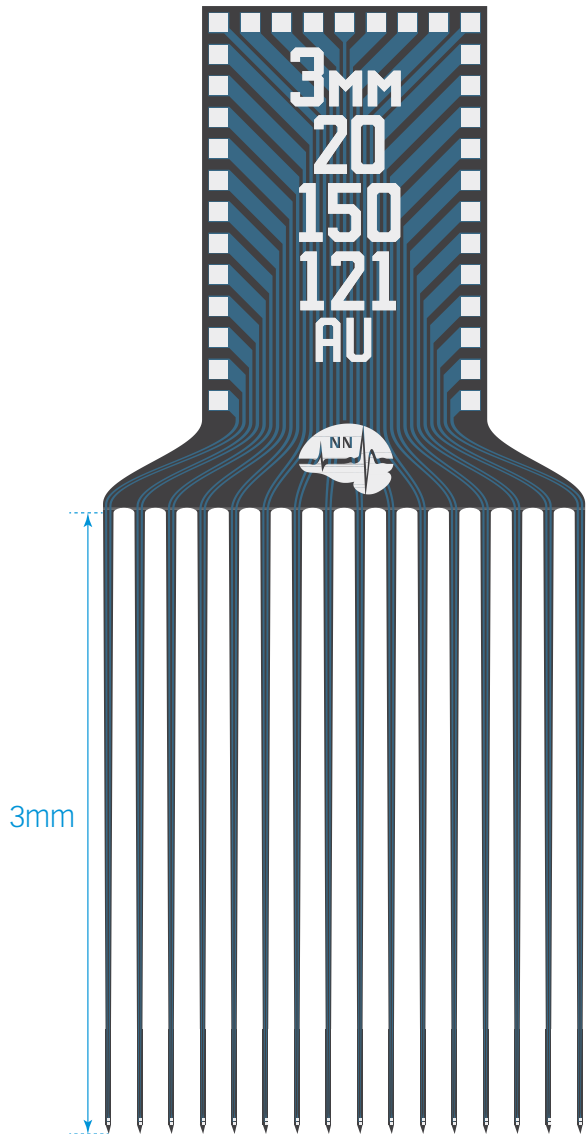
OPTOGENETICS
OA32LP
OA32LP_v2
OCM32LP
OH32LP (oDrive)
OXA32LP (Optogenix)
OZ32LP

MR-COMPATIBLE
MR_CM32
MR_H32_21mm
MR_HC32_21mm

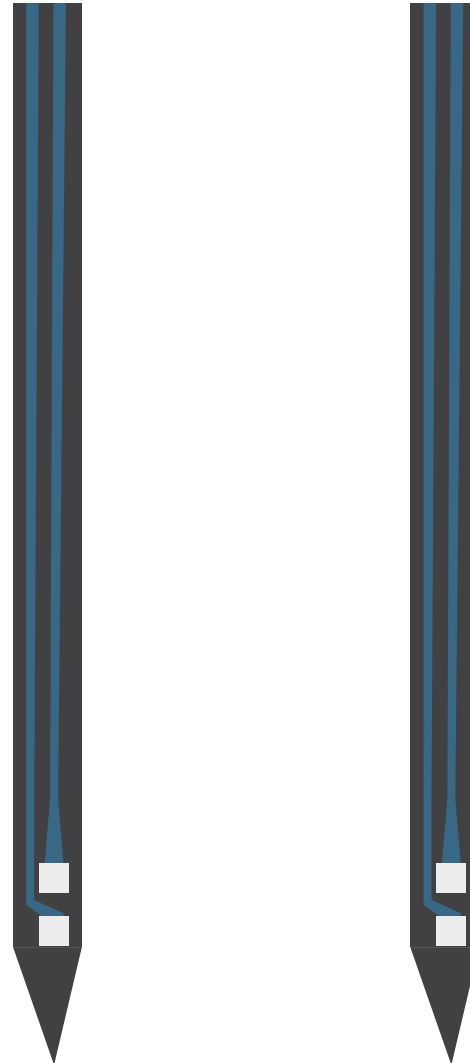
thickness

15 μm
50 μm

A16x2-3mm-20-150-121



TIP DETAIL



available packages

ACUTE

A32

CHRONIC

CM32
H32_21mm
HC32_21mm
HZ32_21mm
Z32

OPTOGENETICS

OA32LP
OA32LP_v2
OCM32LP
OH32LP (oDrive)
OXA32LP (Optogenix)
OZ32LP

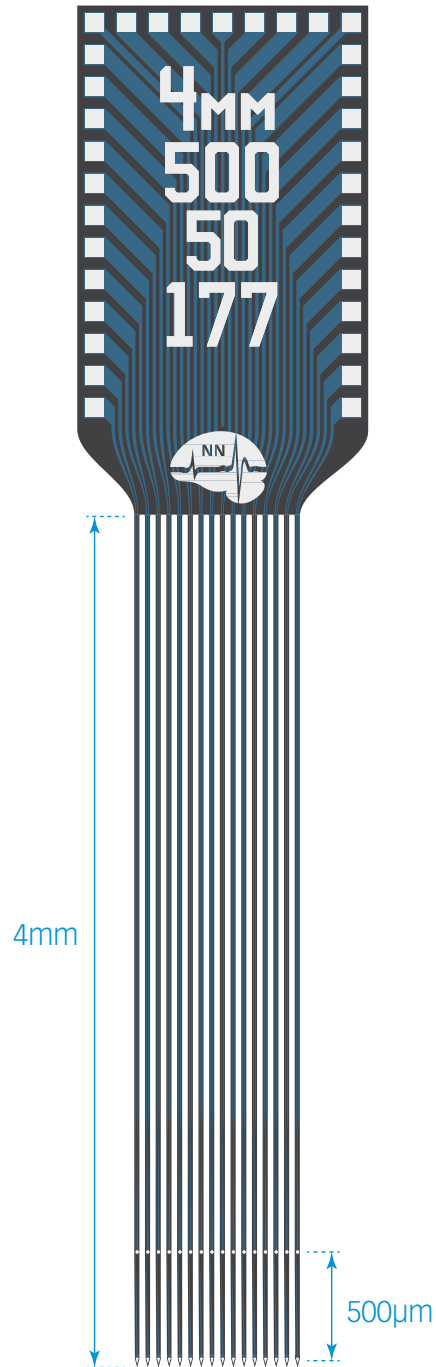
MR-COMPATIBLE

MR_CM32
MR_H32_21mm
MR_HC32_21mm

thickness

15 μ m

A16x2-4mm-500-50-177



TIP DETAIL



available packages

ACUTE
A32

CHRONIC
CM32
H32_21mm
HC32_21mm
HZ32_21mm
Z32

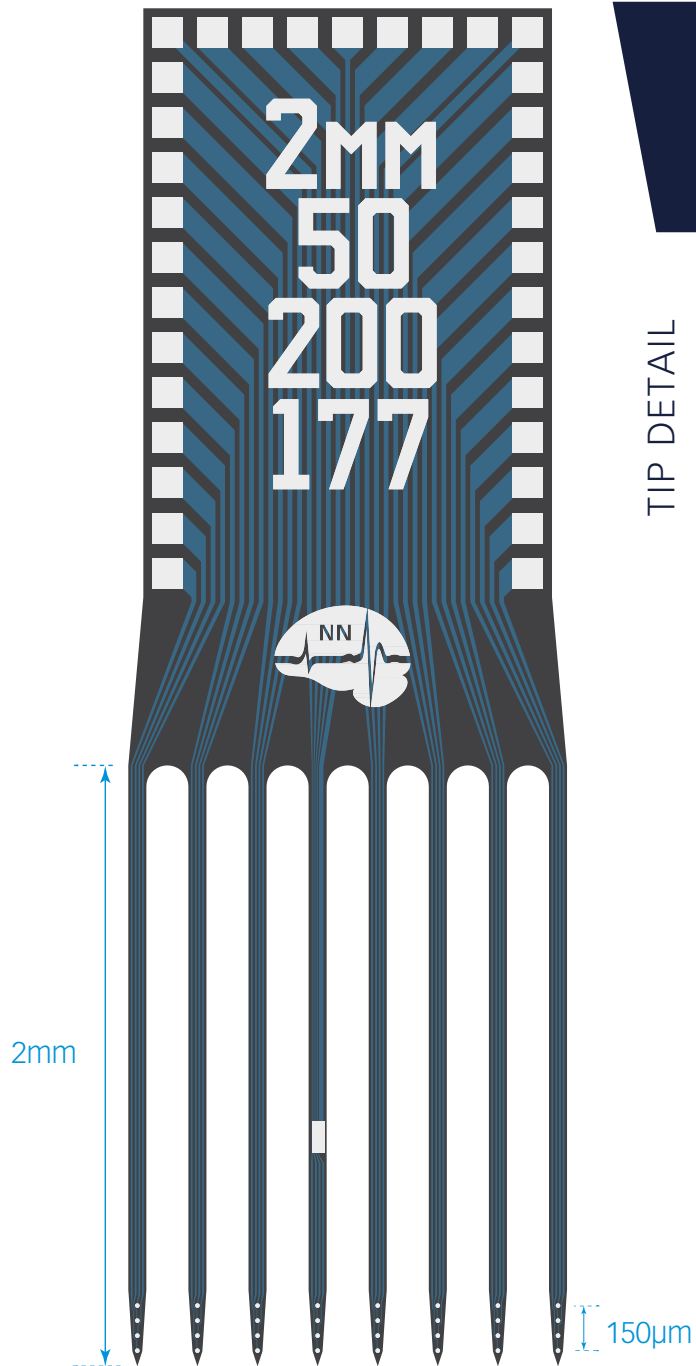
OPTOGENETICS
OA32LP
OA32LP_v2
OCM32LP
OH32LP (oDrive)
OXA32LP (Optogenix)
OZ32LP

MR-COMPATIBLE
MR_CM32
MR_H32_21mm
MR_HC32_21mm

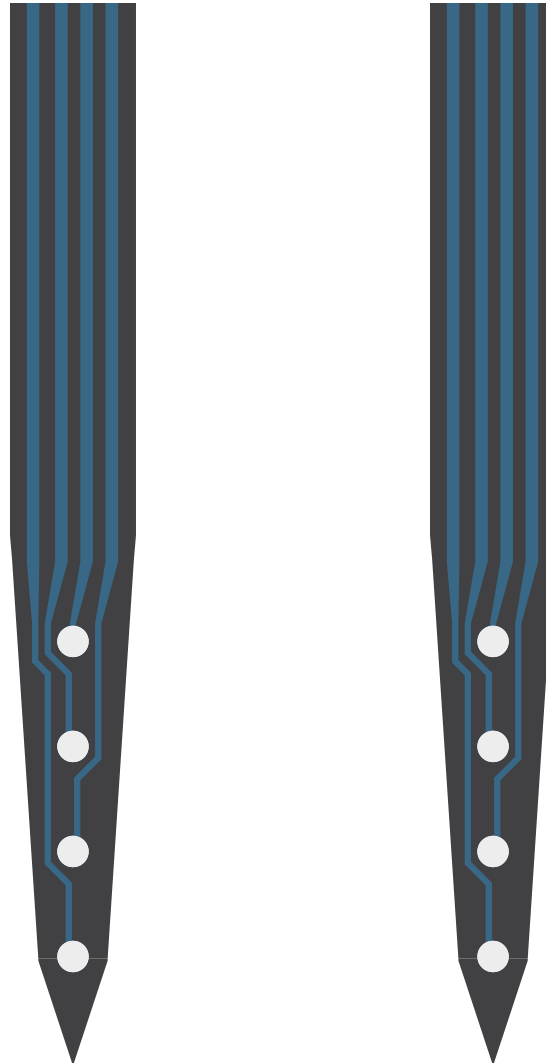
thickness

15 µm

A8x4-2mm-50-200-177



TIP DETAIL



available packages

ACUTE

A32

CHRONIC

CM32
H32_21mm
HC32_21mm
HZ32_21mm
Z32

OPTOGENETICS

OA32LP
OA32LP_v2
OCM32LP
OH32LP (oDrive)
OXA32LP (Optogenix)
OZ32LP

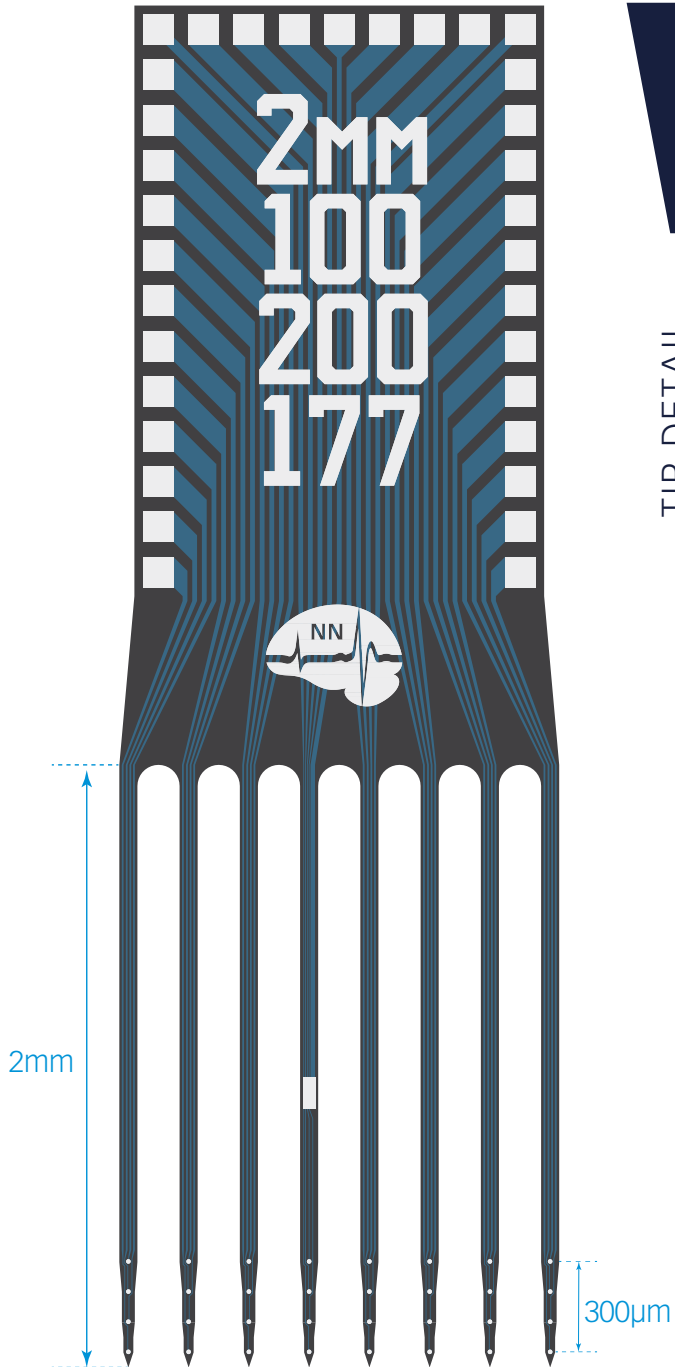
MR-COMPATIBLE

MR_CM32
MR_H32_21mm
MR_HC32_21mm

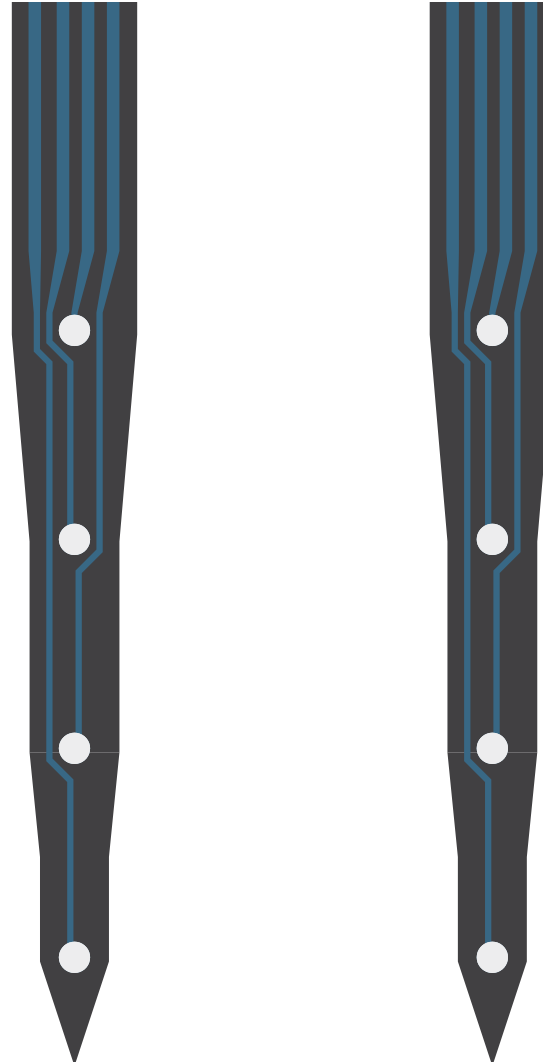
thickness

15 µm

A8x4-2mm-100-200-177



TIP DETAIL



available packages

ACUTE
A32

CHRONIC
CM32
H32_21mm
HC32_21mm
HZ32_21mm
Z32

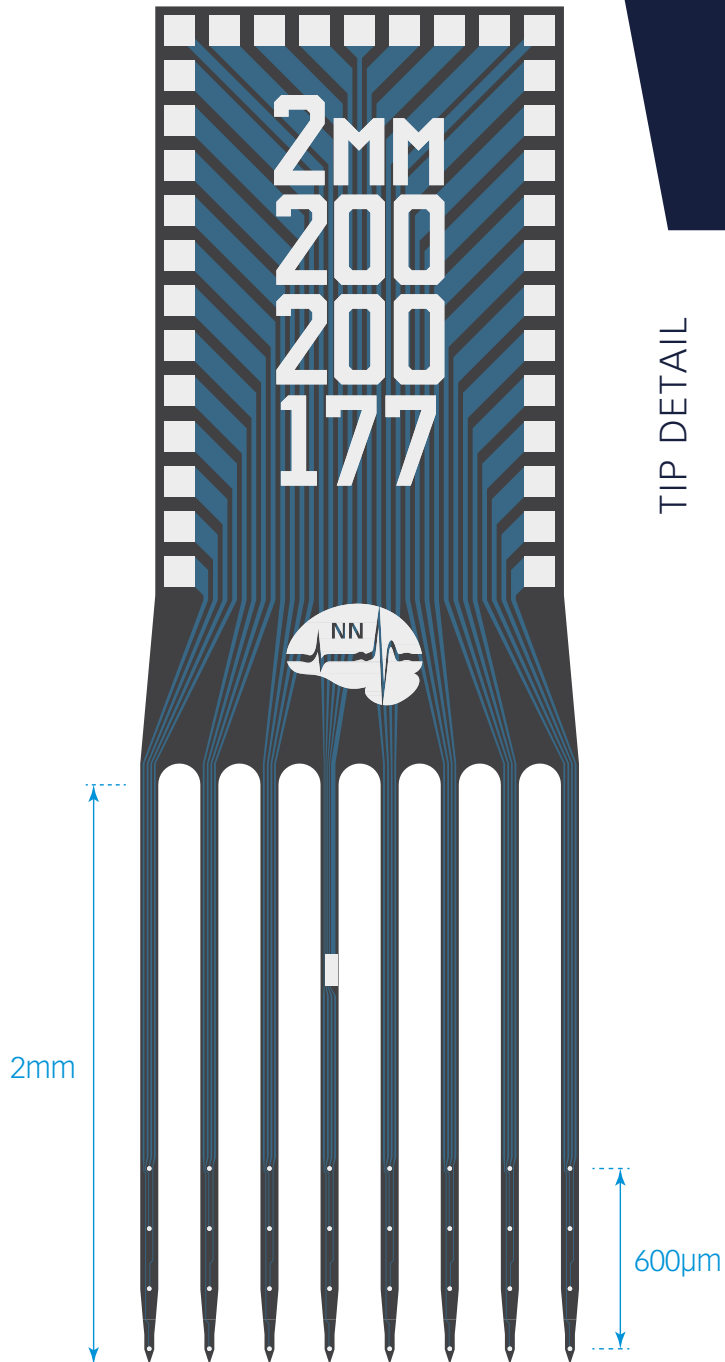
OPTOGENETICS
OA32LP
OA32LP_v2
OCM32LP
OH32LP (oDrive)
OXA32LP (Optogenix)
OZ32LP

MR-COMPATIBLE
MR_CM32
MR_H32_21mm
MR_HC32_21mm

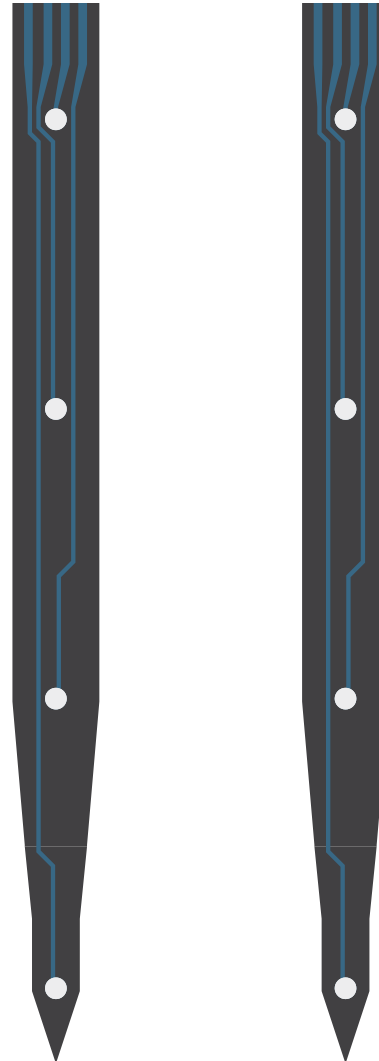
thickness

15 µm

A8x4-2mm-200-200-177



TIP DETAIL



available packages

ACUTE
A32

CHRONIC
CM32
H32_21mm
HC32_21mm
HZ32_21mm
Z32

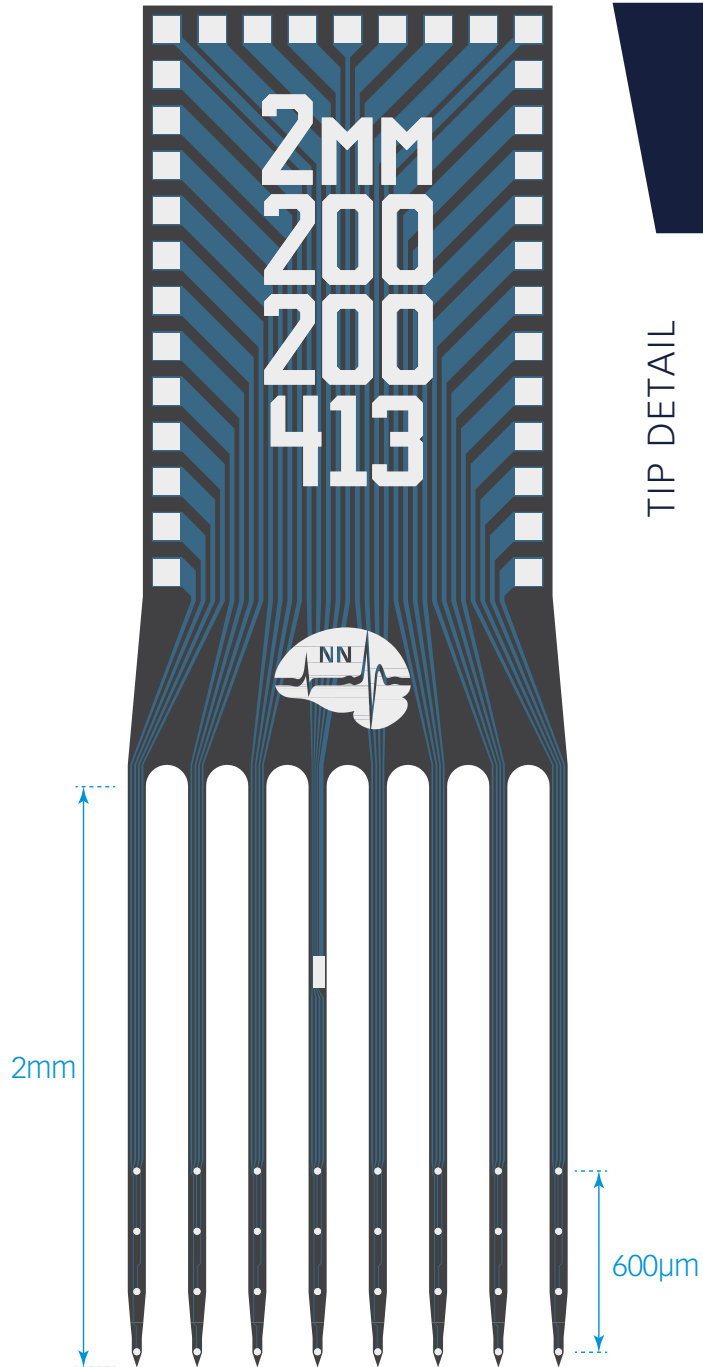
OPTOGENETICS
OA32LP
OA32LP_v2
OCM32LP
OH32LP (oDrive)
OXA32LP (Optogenix)
OZ32LP

MR-COMPATIBLE
MR_CM32
MR_H32_21mm
MR_HC32_21mm

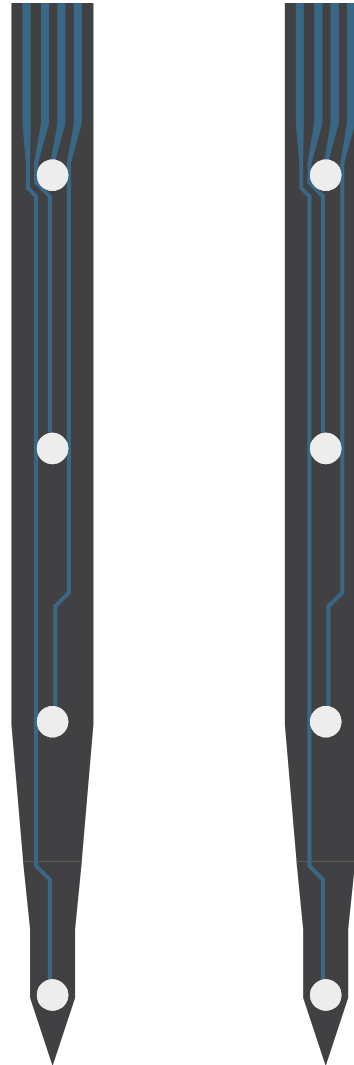
thickness

15 µm
50 µm

A8x4-2mm-200-200-413



TIP DETAIL



available packages

ACUTE
A32

CHRONIC
CM32
H32_21mm
HC32_21mm
HZ32_21mm
Z32

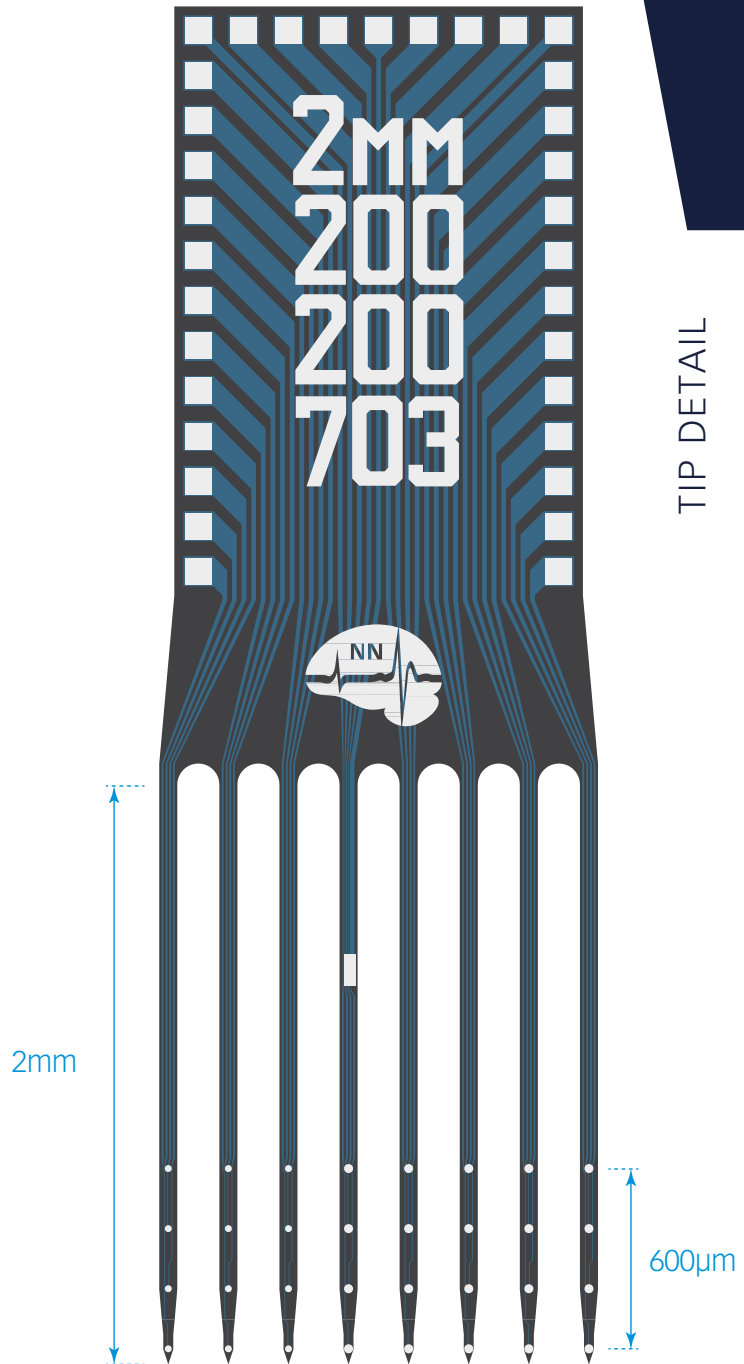
OPTOGENETICS
OA32LP
OA32LP_v2
OCM32LP
OH32LP (oDrive)
OXA32LP (Optogenix)
OZ32LP

MR-COMPATIBLE
MR_CM32
MR_H32_21mm
MR_HC32_21mm

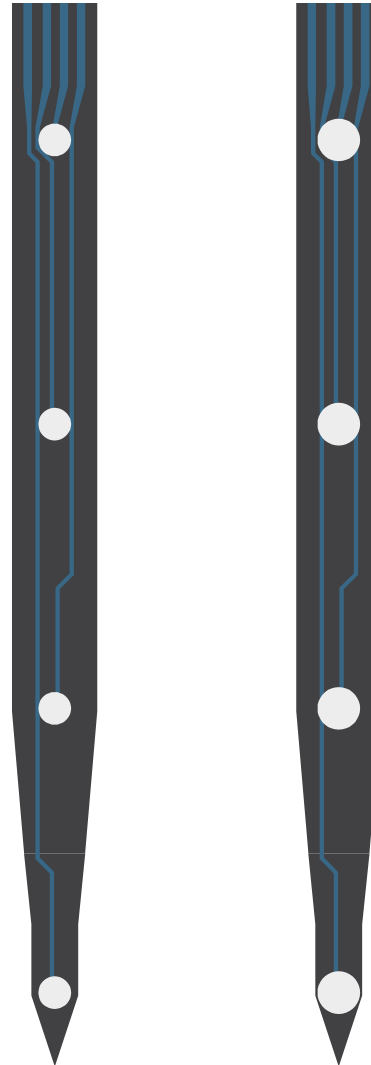
thickness

15 µm
50 µm

A8x4-2mm-200-200-703



TIP DETAIL



available packages

ACUTE
A32

CHRONIC
CM32
H32_21mm
HC32_21mm
HZ32_21mm
Z32

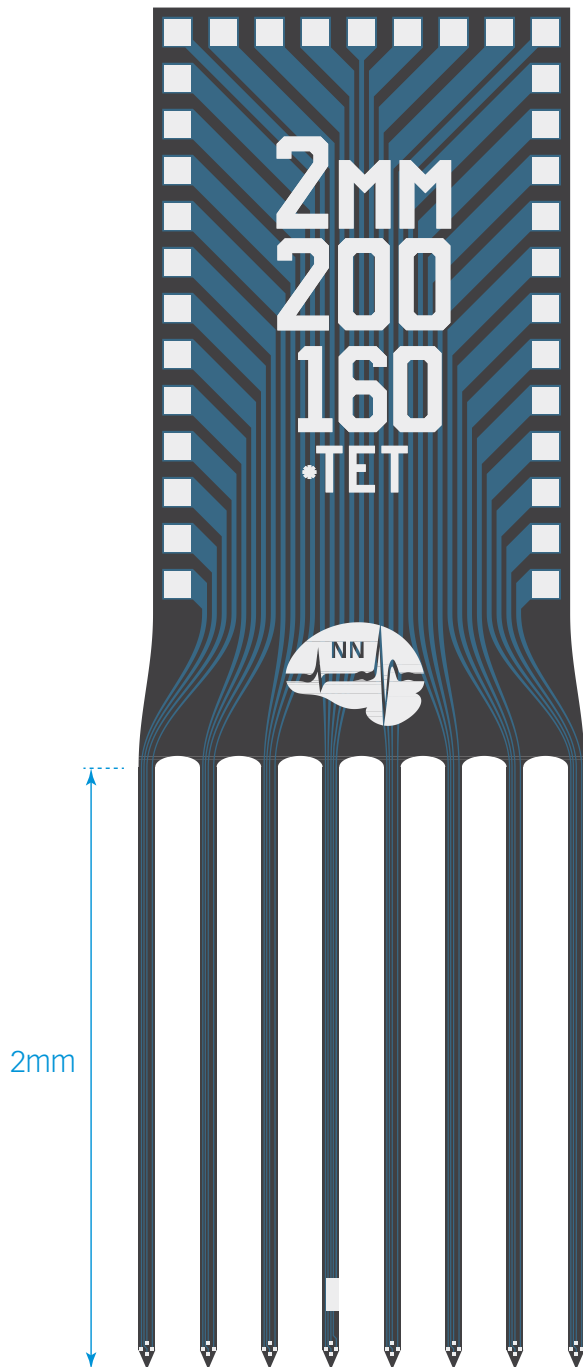
OPTOGENETICS
OA32LP
OA32LP_v2
OCM32LP
OH32LP (oDrive)
OXA32LP (Optogenix)
OZ32LP

MR-COMPATIBLE
MR_CM32
MR_H32_21mm
MR_HC32_21mm

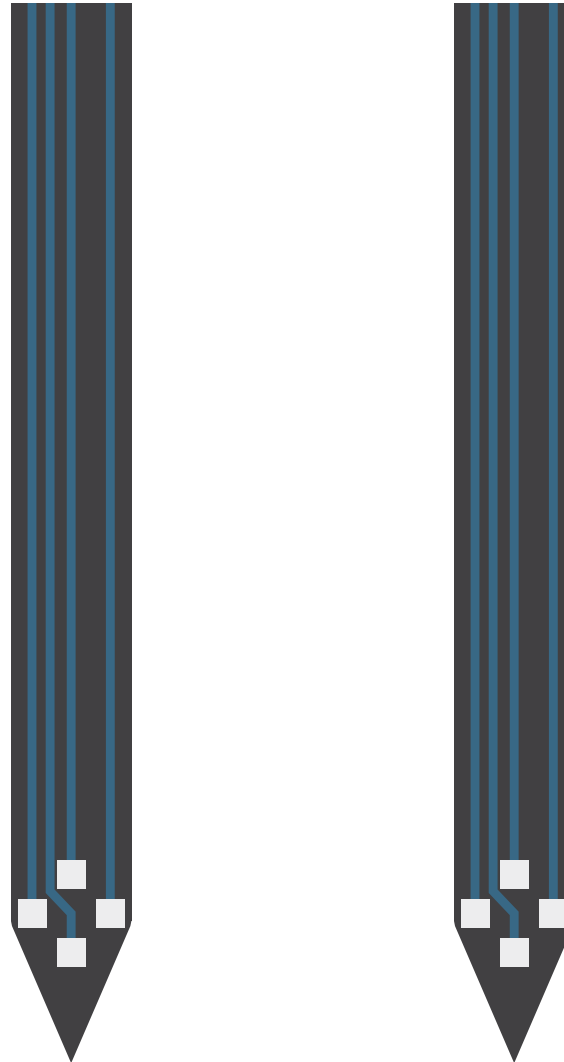
thickness

50 µm

A8x1-tet-2mm-200-160



TIP DETAIL



available packages

ACUTE
A32

CHRONIC
CM32
H32_21mm
HC32_21mm
HZ32_21mm
Z32

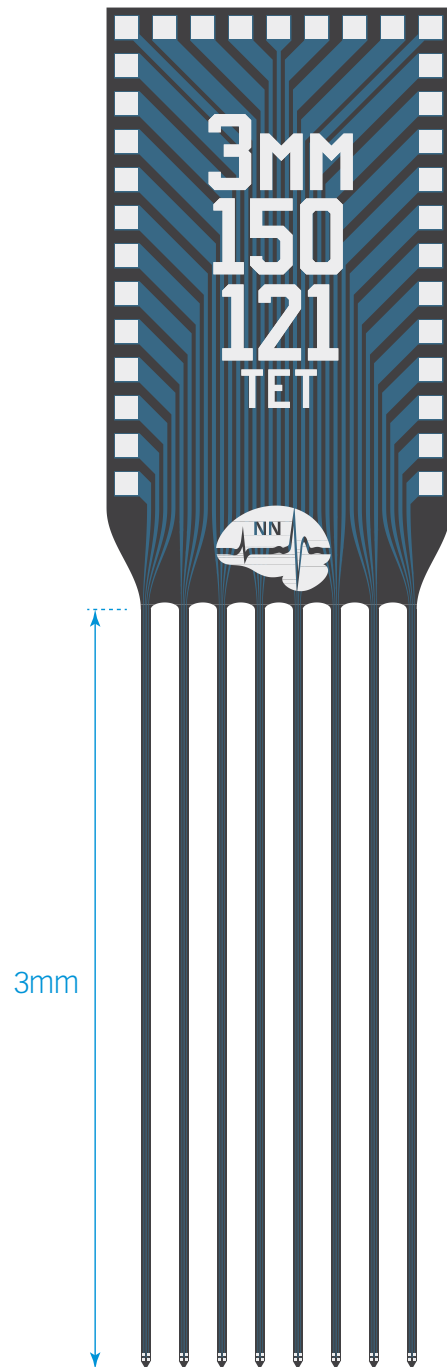
OPTOGENETICS
OA32LP
OA32LP_v2
OCM32LP
OH32LP (oDrive)
OXA32LP (Optogenix)
OZ32LP

MR-COMPATIBLE
MR_CM32
MR_H32_21mm
MR_HC32_21mm

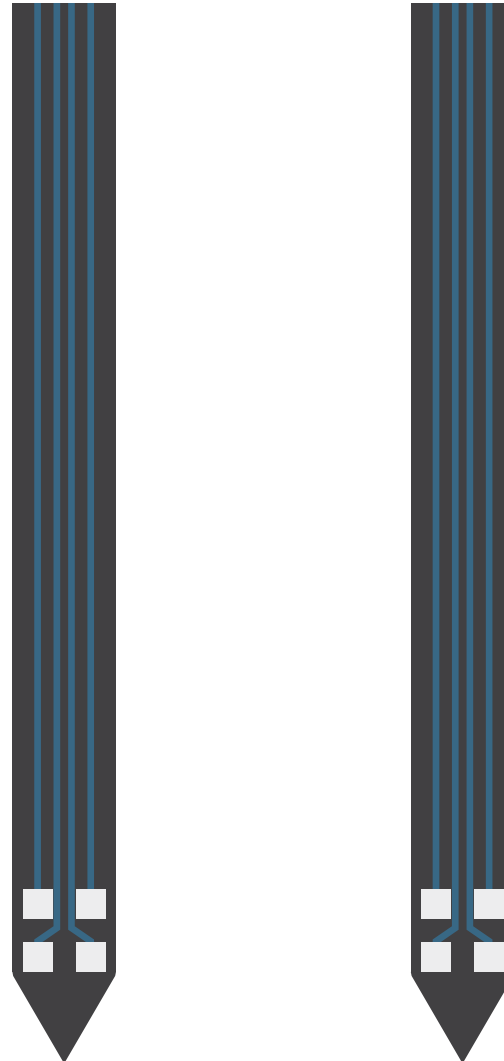
thickness

15 μ m

A8x1-tet-3mm-150-121



TIP DETAIL



available packages

ACUTE
A32

CHRONIC
CM32
H32_21mm
HC32_21mm
HZ32_21mm
Z32

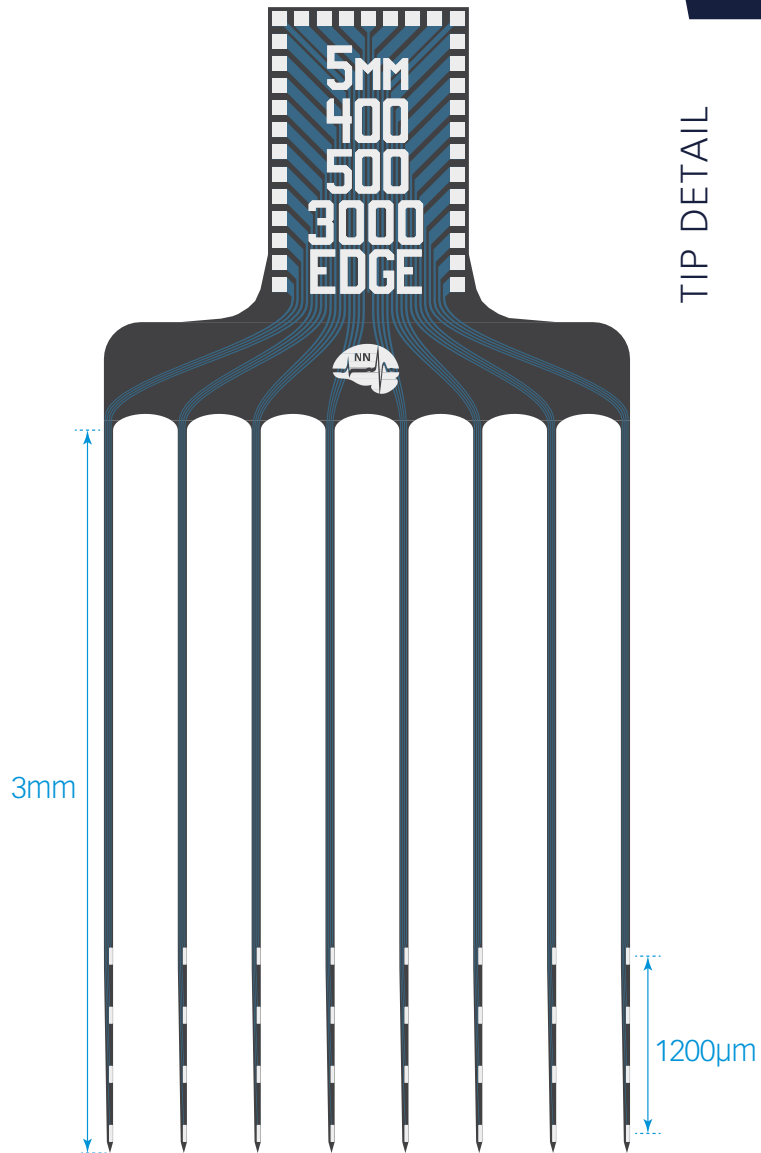
OPTOGENETICS
OA32LP
OA32LP_v2
OCM32LP
OH32LP (oDrive)
OXA32LP (Optogenix)
OZ32LP

MR-COMPATIBLE
MR_CM32
MR_H32_21mm
MR_HC32_21mm

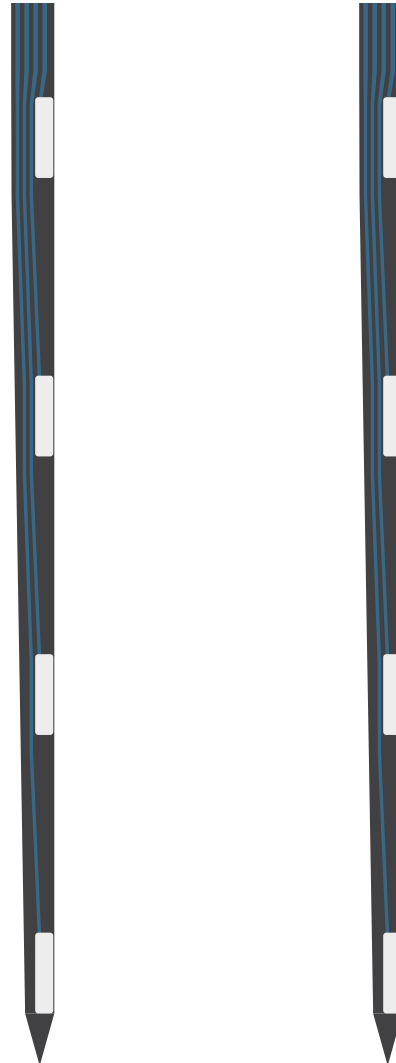
thickness

15 μ m

A8x4-Edge-5mm- 400-500-3000



TIP DETAIL



available
packages

ACUTE
A32

CHRONIC
CM32
H32_21mm
HC32_21mm
HZ32_21mm
Z32

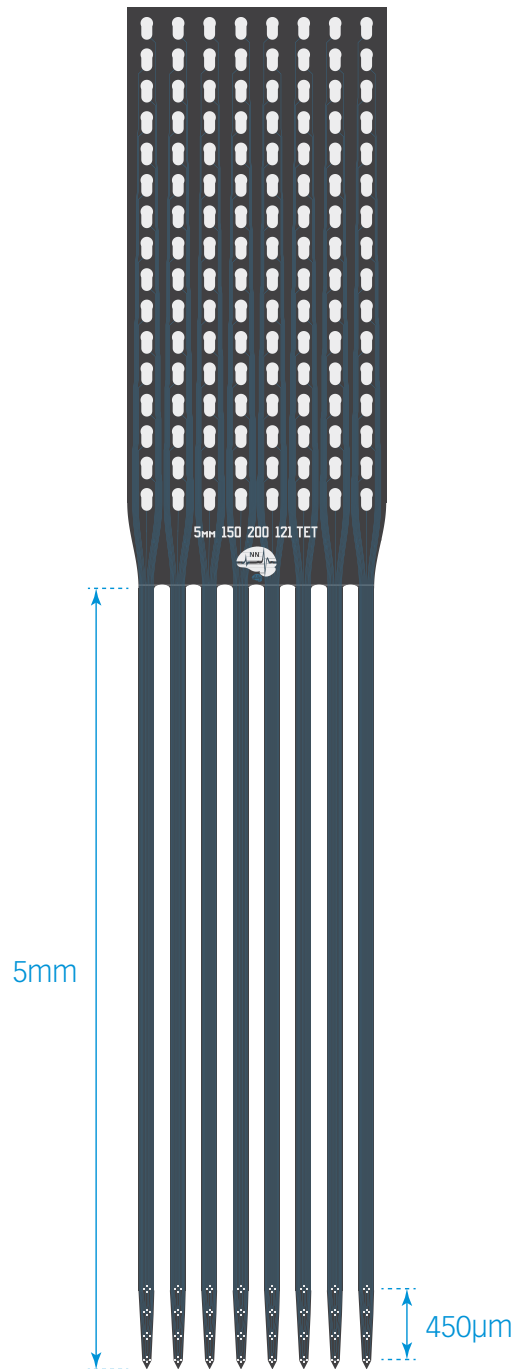
OPTOGENETICS
OA32LP
OA32LP_v2
OCM32LP
OH32LP (oDrive)
OXA32LP (Optogenix)
OZ32LP

MR-COMPATIBLE
MR_CM32
MR_H32_21mm
MR_HC32_21mm

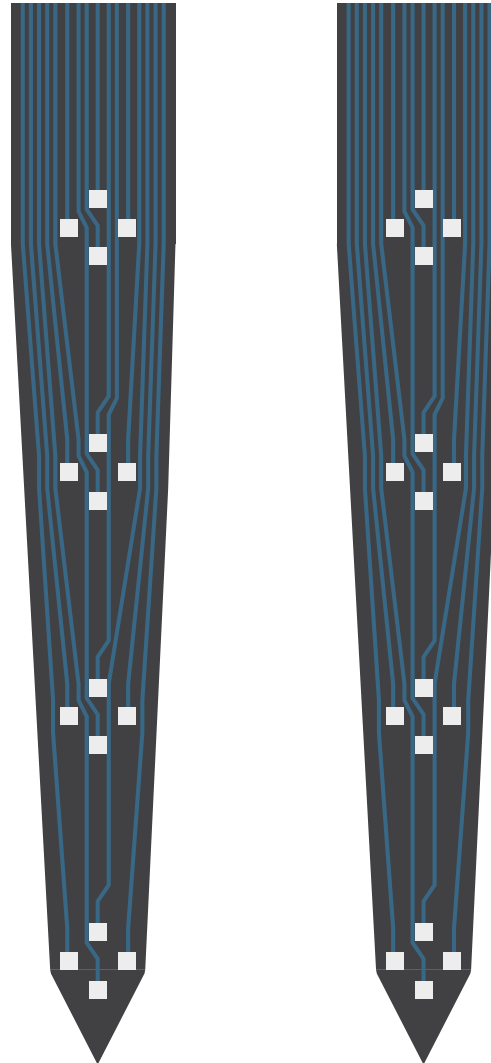
thickness

15 µm

A8x4-tet-5mm-150-200-121



TIP DETAIL



available packages

ACUTE

A32

CHRONIC

CM32
H32_21mm
HC32_21mm
HZ32_21mm
Z32

OPTOGENETICS

OA32LP
OA32LP_v2
OCM32LP
OH32LP (oDrive)
OXA32LP (Optogenix)
OZ32LP

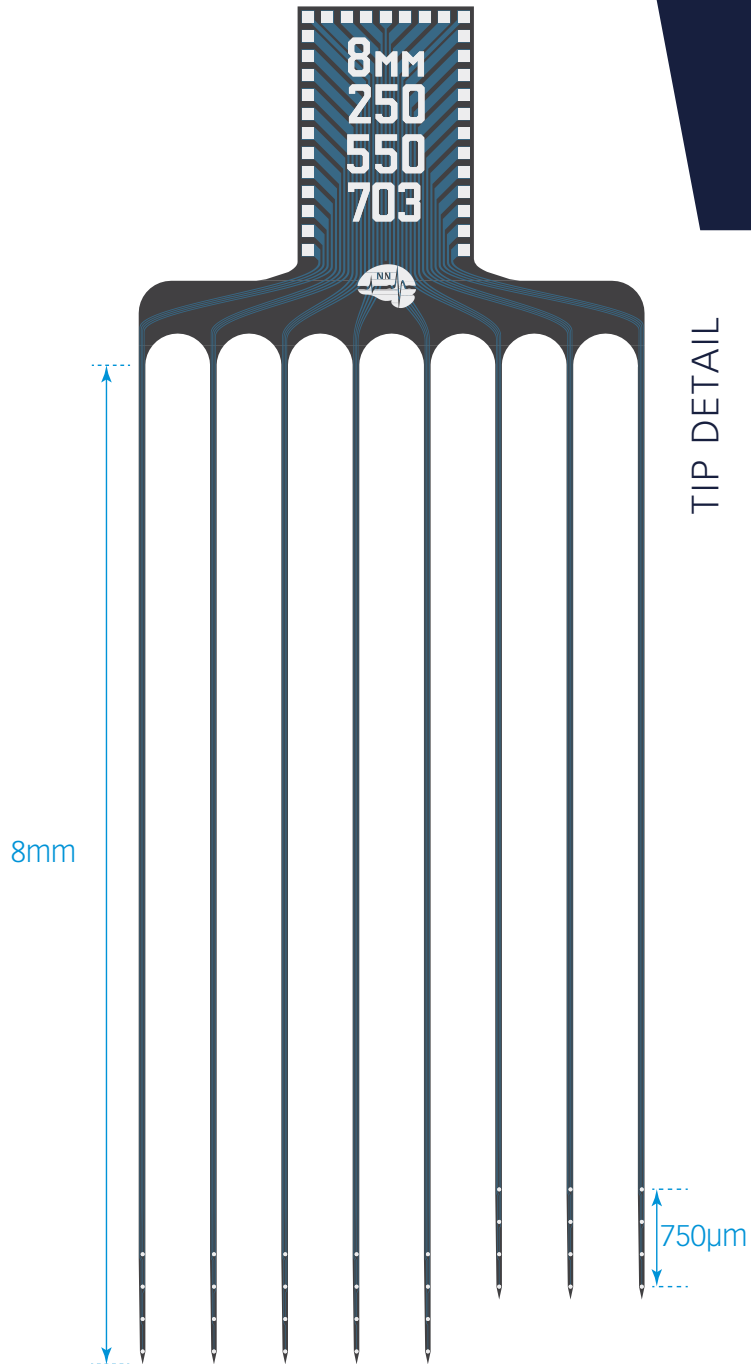
MR-COMPATIBLE

MR_CM32
MR_H32_21mm
MR_HC32_21mm

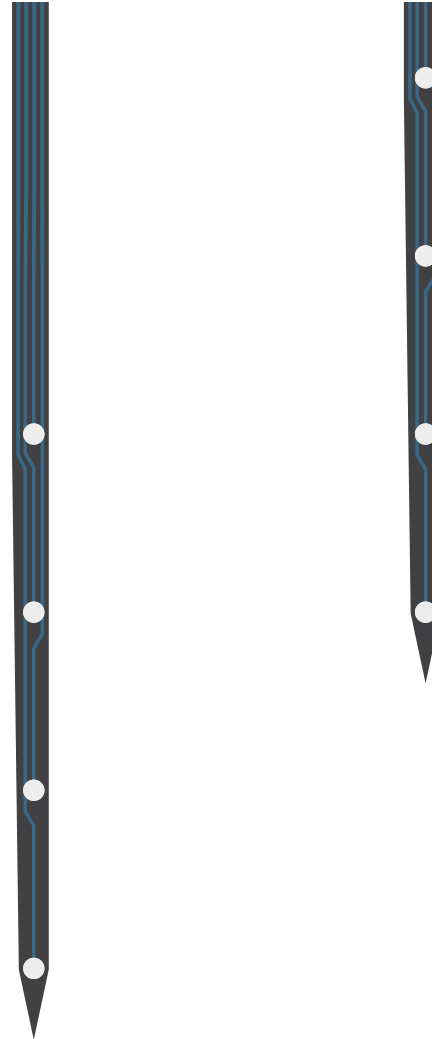
thickness

15 µm

A8x4-8mm-250-550-703



TIP DETAIL



available packages

ACUTE

A32

CHRONIC

CM32
H32_21mm
HC32_21mm
HZ32_21mm
Z32

OPTOGENETICS

OA32LP
OA32LP_v2
OCM32LP
OH32LP (oDrive)
OXA32LP (Optogenix)
OZ32LP

MR-COMPATIBLE

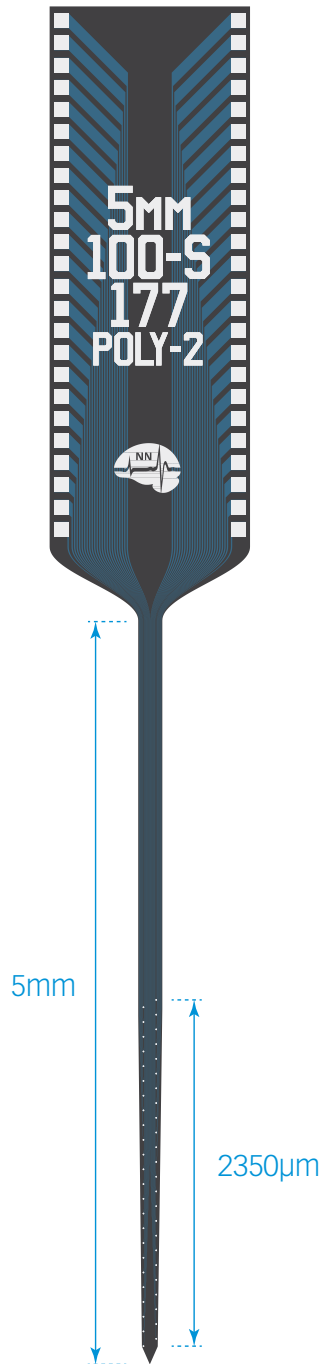
MR_CM32
MR_H32_21mm
MR_HC32_21mm

thickness

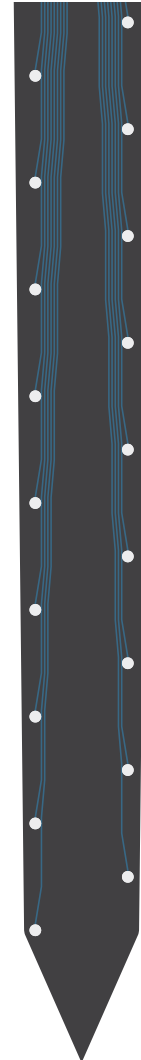
15 µm
50 µm

64- Channel Probes

A1x48-Poly2-5mm-100s-177



TIP DETAIL



available packages

ACUTE

A64

CHRONIC
H64_30mm
H64LP_30mm
HC64_30mm
HZ64_30mm
Z64

OPTOGENETICS
OA64LP
OA64LP_v2
OH64LP (oDrive)
OXA64LP
(Optogenix)

MR-COMPATIBLE
MR_H64_30mm
MR_HC64_30mm

ACTIVUS
AV64
AVI64
AVH64
AVIH64

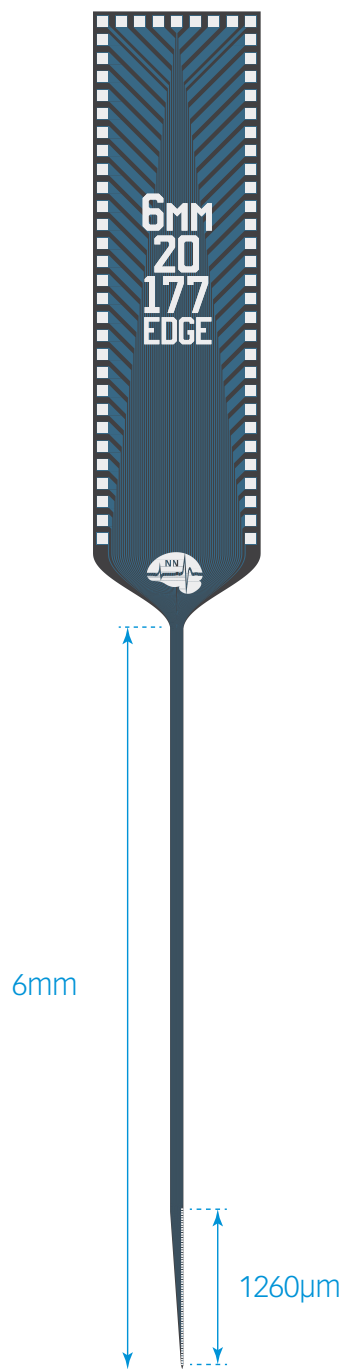
SEARAY
SEACM64

Note: For H-package 64 channel designs: Unless otherwise requested you will receive a probe with up to 2 irregular sites. If you require a perfect probe, please specify when ordering.

thickness

15 µm

A1x64-Edge-6mm-20-177



TIP DETAIL



available packages

ACUTE

A64

CHRONIC
H64_30mm
H64LP_30mm
HC64_30mm
HZ64_30mm
Z64

OPTOGENETICS
OA64LP
OA64LP_v2
OH64LP (oDrive)
OXA64LP
(Optogenix)

MR-COMPATIBLE
MR_H64_30mm
MR_HC64_30mm

ACTIVUS
AV64
AVI64
AVH64
AVIH64

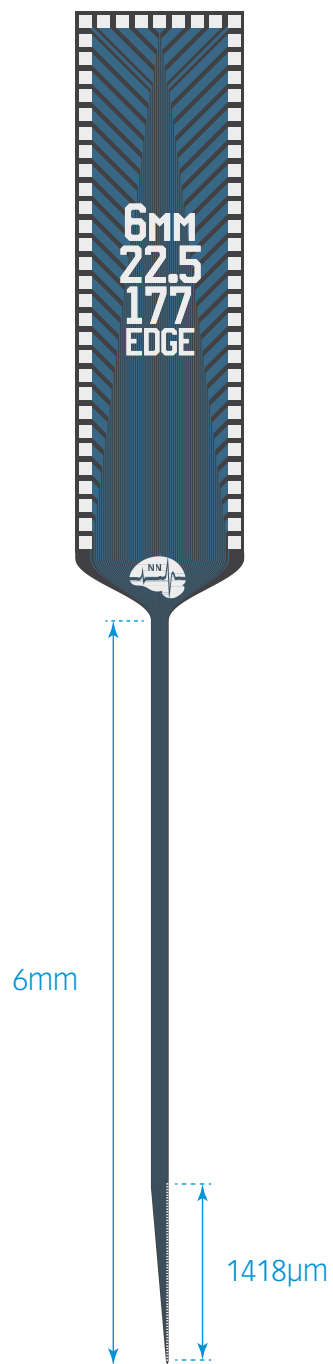
SEARAY
SEACM64

Note: For H-package 64 channel designs: Unless otherwise requested you will receive a probe with up to 2 irregular sites. If you require a perfect probe, please specify when ordering.

thickness

15 µm

A1X64-Edge-6mm-22.5-177



TIP DETAIL



available packages

ACUTE

A64

CHRONIC

H64_30mm
H64LP_30mm
HC64_30mm
HZ64_30mm
Z64

OPTOGENETICS

OA64LP
OA64LP_v2
OH64LP (oDrive)
OXA64LP
(Optogenix)

MR-COMPATIBLE

MR_H64_30mm
MR_HC64_30mm

ACTIVUS

AV64
AVI64
AVH64
AVIH64

SEARAY

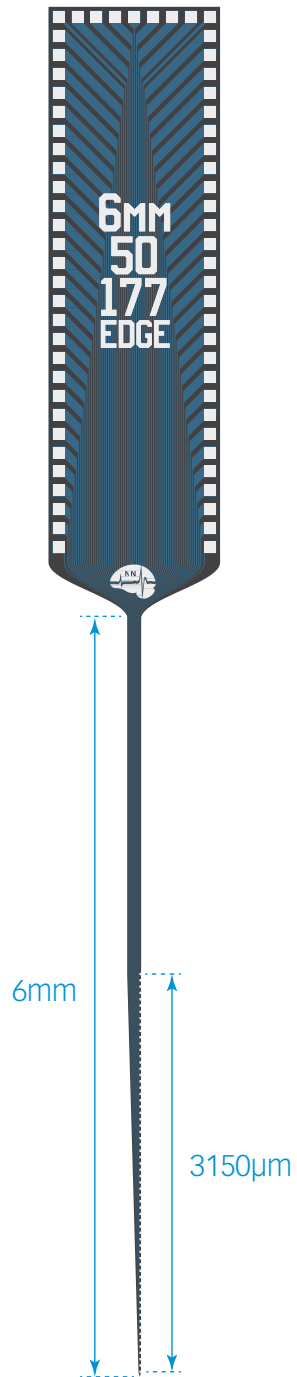
SEACM64

Note: For H-package 64 channel designs: Unless otherwise requested you will receive a probe with up to 2 irregular sites. If you require a perfect probe, please specify when ordering.

thickness

15 µm

A1x64-Edge-6mm-50-177



TIP DETAIL



available packages

ACUTE

A64

CHRONIC
H64_30mm
H64LP_30mm
HC64_30mm
HZ64_30mm
Z64

OPTOGENETICS

OA64LP
OA64LP_v2
OH64LP (oDrive)
OXA64LP
(Optogenix)

MR-COMPATIBLE

MR_H64_30mm
MR_HC64_30mm

ACTIVUS

AV64
AVI64
AVH64
AVIH64

SEARAY

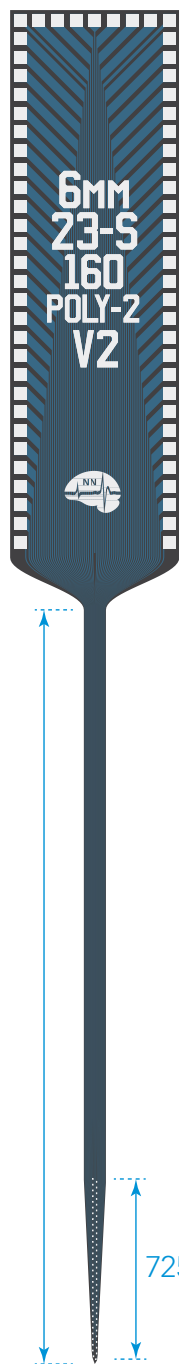
SEACM64

Note: For H-package 64 channel designs: Unless otherwise requested you will receive a probe with up to 2 irregular sites. If you require a perfect probe, please specify when ordering.

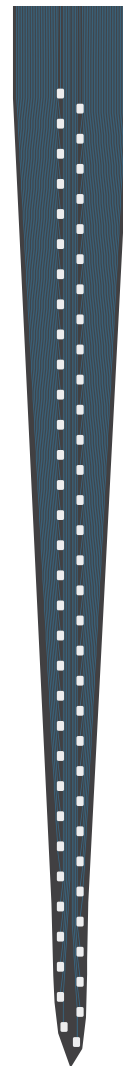
thickness

15 µm

A1X64-Poly2-6mm-23s-160



TIP DETAIL



available packages

ACUTE

A64

CHRONIC

H64_30mm
H64LP_30mm
HC64_30mm
HZ64_30mm
Z64

OPTOGENETICS

OA64LP
OA64LP_v2
OH64LP (oDrive)
OXA64LP
(Optogenix)

MR-COMPATIBLE

MR_H64_30mm
MR_HC64_30mm

ACTIVUS

AV64
AVI64
AVH64
AVIH64

SEARAY

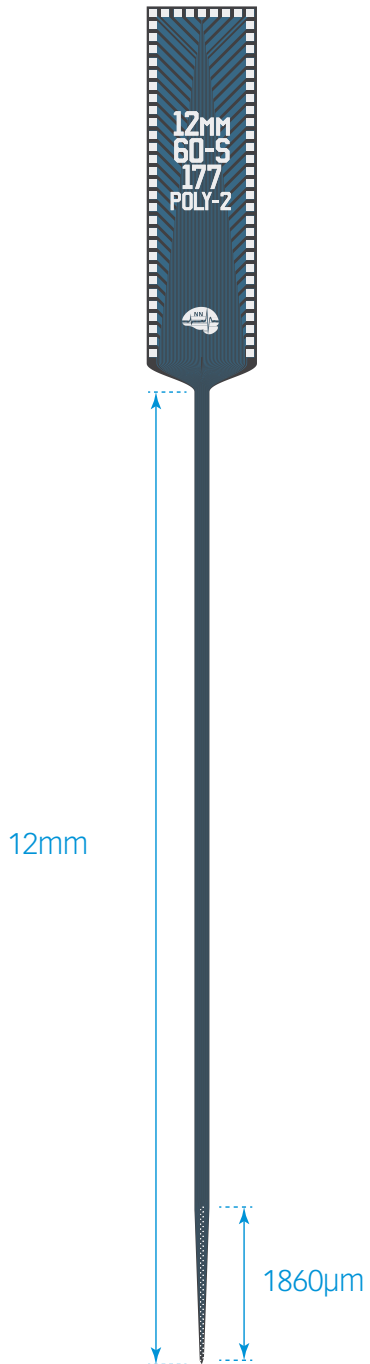
SEACM64

Note: For H-package 64 channel designs: Unless otherwise requested you will receive a probe with up to 2 irregular sites. If you require a perfect probe, please specify when ordering.

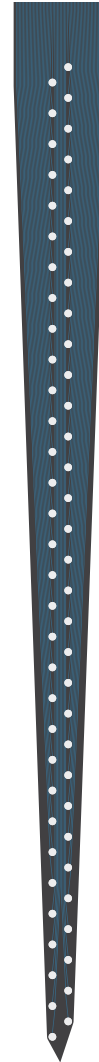
thickness

15 µm
50 µm

A1X64-Poly2-12mm-60s-177



TIP DETAIL



available packages

ACUTE

A64

CHRONIC
H64_30mm
H64LP_30mm
HC64_30mm
HZ64_30mm
Z64

OPTOGENETICS
OA64LP
OA64LP_v2
OH64LP (oDrive)
OXA64LP
(Optogenix)

MR-COMPATIBLE
MR_H64_30mm
MR_HC64_30mm

ACTIVUS
AV64
AVI64
AVH64
AVIH64

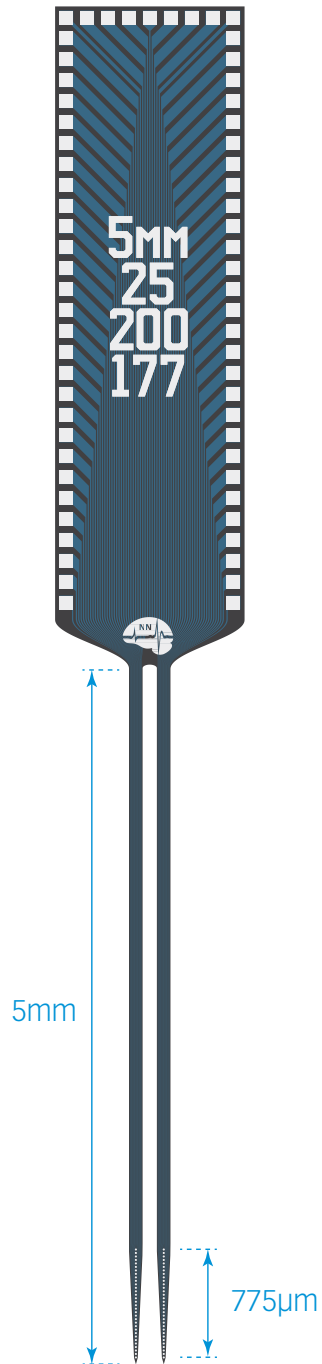
SEARAY
SEACM64

Note: For H-package 64 channel designs: Unless otherwise requested you will receive a probe with up to 2 irregular sites. If you require a perfect probe, please specify when ordering.

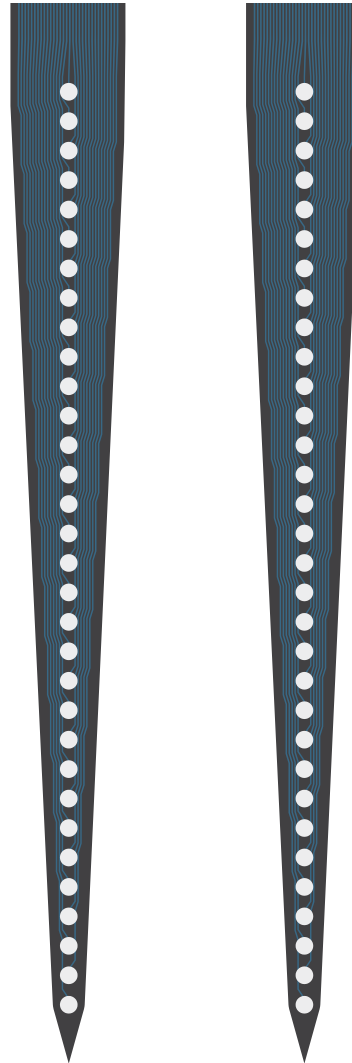
thickness

50 µm

A2x32-5mm-25-200-177



TIP DETAIL



available packages

ACUTE

A64

CHRONIC
H64_30mm
H64LP_30mm
HC64_30mm
HZ64_30mm
Z64

OPTOGENETICS
OA64LP
OA64LP_v2
OH64LP (oDrive)
OXA64LP
(Optogenix)

MR-COMPATIBLE
MR_H64_30mm
MR_HC64_30mm

ACTIVUS
AV64
AVI64
AVH64
AVIH64

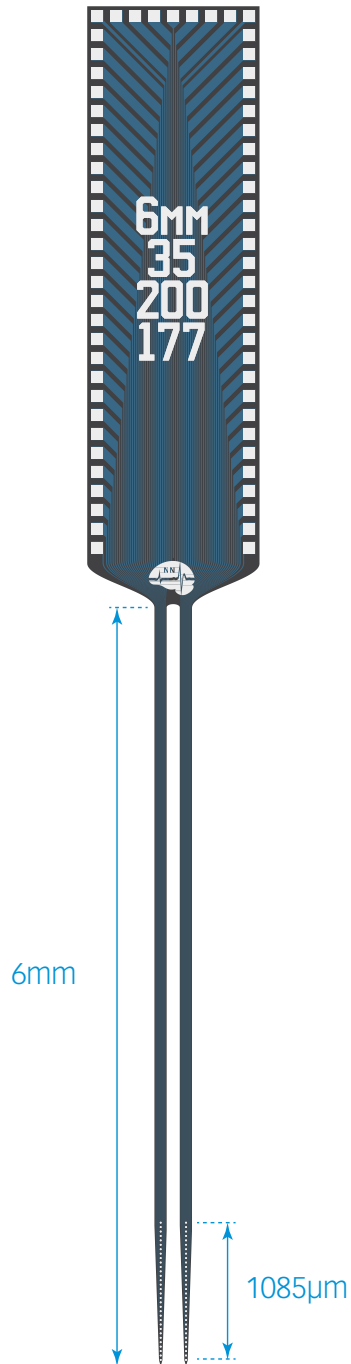
SEARAY
SEACM64

Note: For H-package 64 channel designs: Unless otherwise requested you will receive a probe with up to 2 irregular sites. If you require a perfect probe, please specify when ordering.

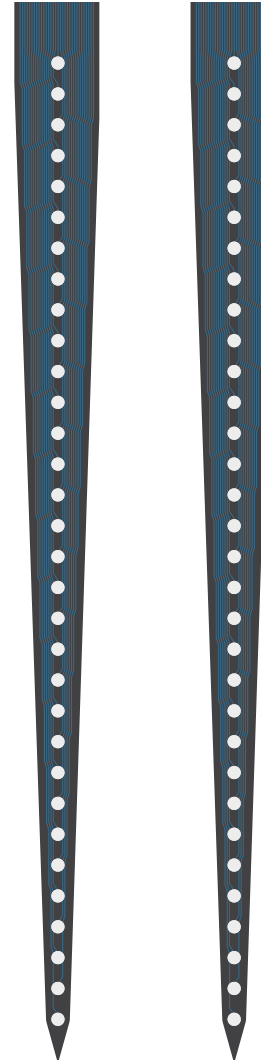
thickness

15 µm

A2x32-6mm-35-200-177



TIP DETAIL



available packages

ACUTE

A64

CHRONIC
H64_30mm
H64LP_30mm
HC64_30mm
HZ64_30mm
Z64

OPTOGENETICS

OA64LP
OA64LP_v2
OH64LP (oDrive)
OXA64LP
(Optogenix)

MR-COMPATIBLE

MR_H64_30mm
MR_HC64_30mm

ACTIVUS

AV64
AVI64
AVH64
AVIH64

SEARAY

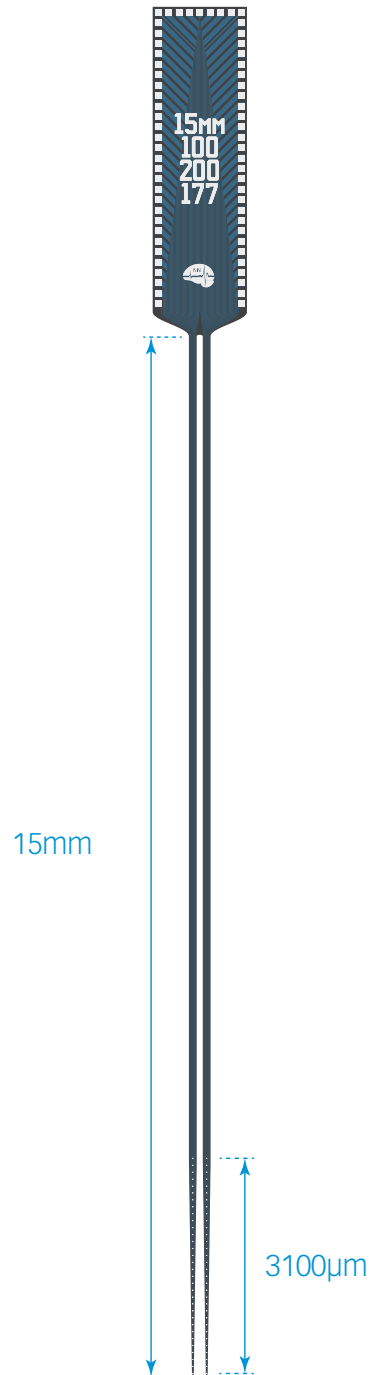
SEACM64

Note: For H-package 64 channel designs: Unless otherwise requested you will receive a probe with up to 2 irregular sites. If you require a perfect probe, please specify when ordering.

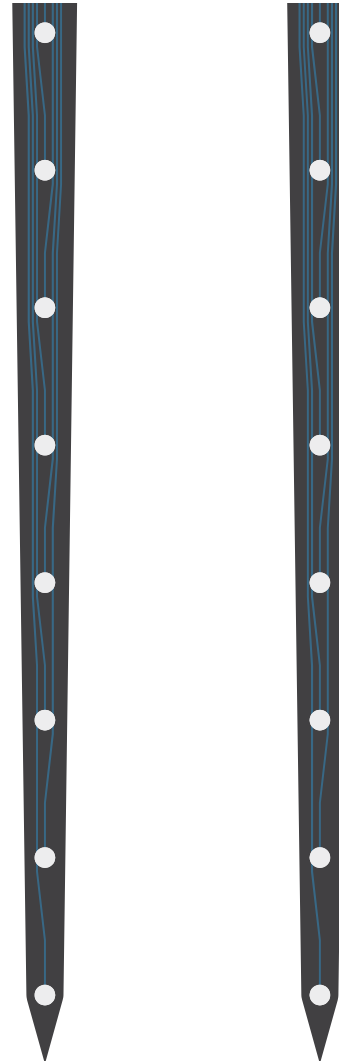
thickness

50 µm

A2x32-15mm-100-200-177



TIP DETAIL



available packages

ACUTE
A64

CHRONIC
H64_30mm
H64LP_30mm
HC64_30mm
HZ64_30mm
Z64

OPTOGENETICS
OA64LP
OA64LP_v2
OH64LP (oDrive)
OXA64LP
(Optogenix)

MR-COMPATIBLE
MR_H64_30mm
MR_HC64_30mm

ACTIVUS
AV64
AVI64
AVH64
AVIH64

SEARAY
SEACM64

Note: For H-package 64 channel designs: Unless otherwise requested you will receive a probe with up to 2 irregular sites. If you require a perfect probe, please specify when ordering.

thickness

50 µm

A4x16-2.5mm-tet/lin-300/125-333-121/177-parietal C

available packages

ACUTE

A64

CHRONIC
H64_30mm
H64LP_30mm
HC64_30mm
HZ64_30mm
Z64

OPTOGENETICS

OA64LP
OA64LP_v2
OH64LP (oDrive)
OXA64LP
(Optogenix)

MR-COMPATIBLE

MR_H64_30mm
MR_HC64_30mm

ACTIVUS

AV64
AVI64
AVH64
AVIH64

SEARAY

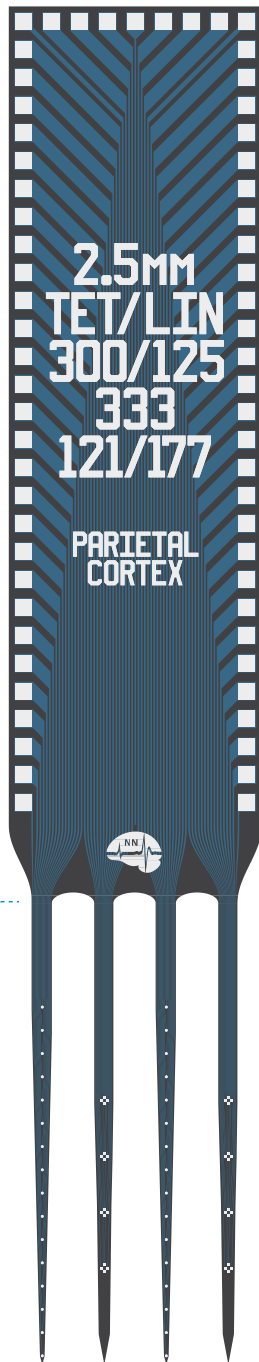
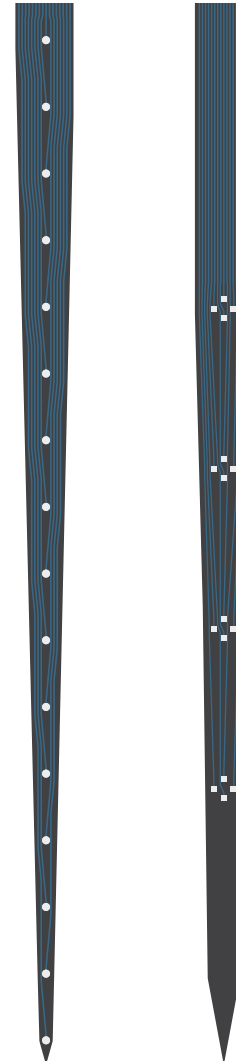
SEACM64

Note: For H-package 64 channel designs: Unless otherwise requested you will receive a probe with up to 2 irregular sites. If you require a perfect probe, please specify when ordering.

thickness

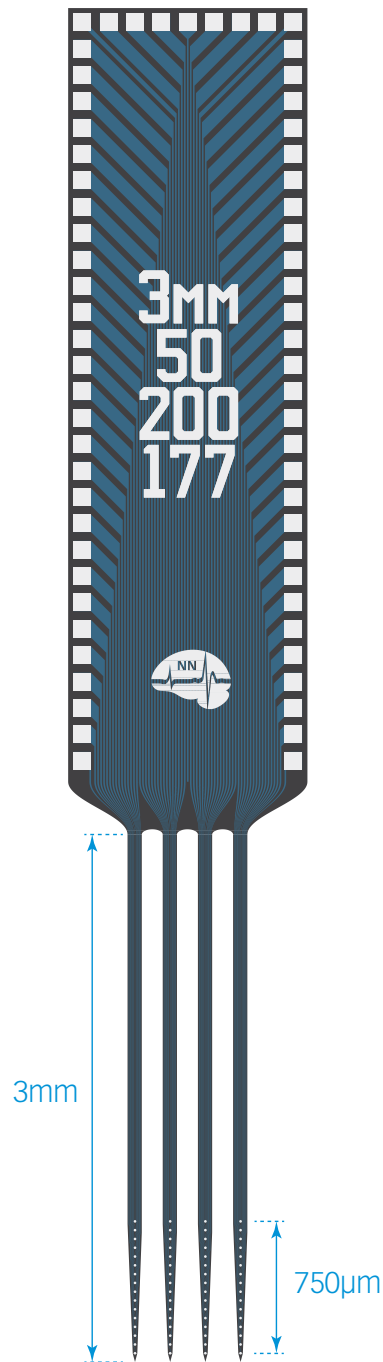
15 μ m

TIP DETAIL

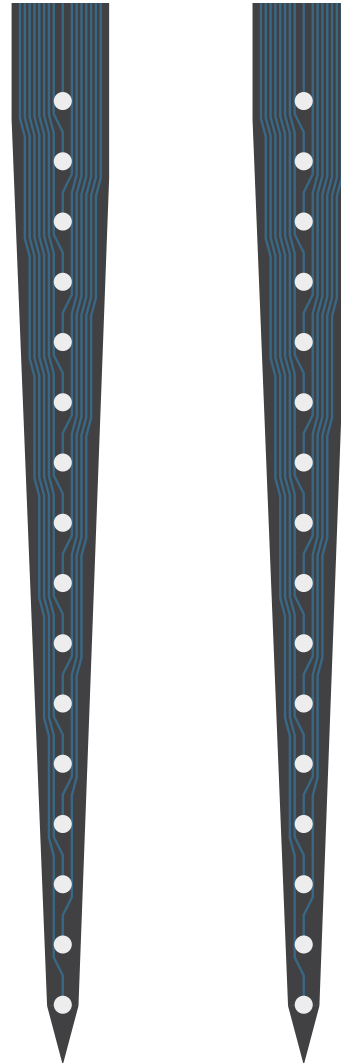


2.5mm

A4x16-3mm-50-200-177



TIP DETAIL



available packages

ACUTE

A64

CHRONIC
H64_30mm
H64LP_30mm
HC64_30mm
HZ64_30mm
Z64

OPTOGENETICS
OA64LP
OA64LP_v2
OH64LP (oDrive)
OXA64LP
(Optogenix)

MR-COMPATIBLE
MR_H64_30mm
MR_HC64_30mm

ACTIVUS
AV64
AVI64
AVH64
AVIH64

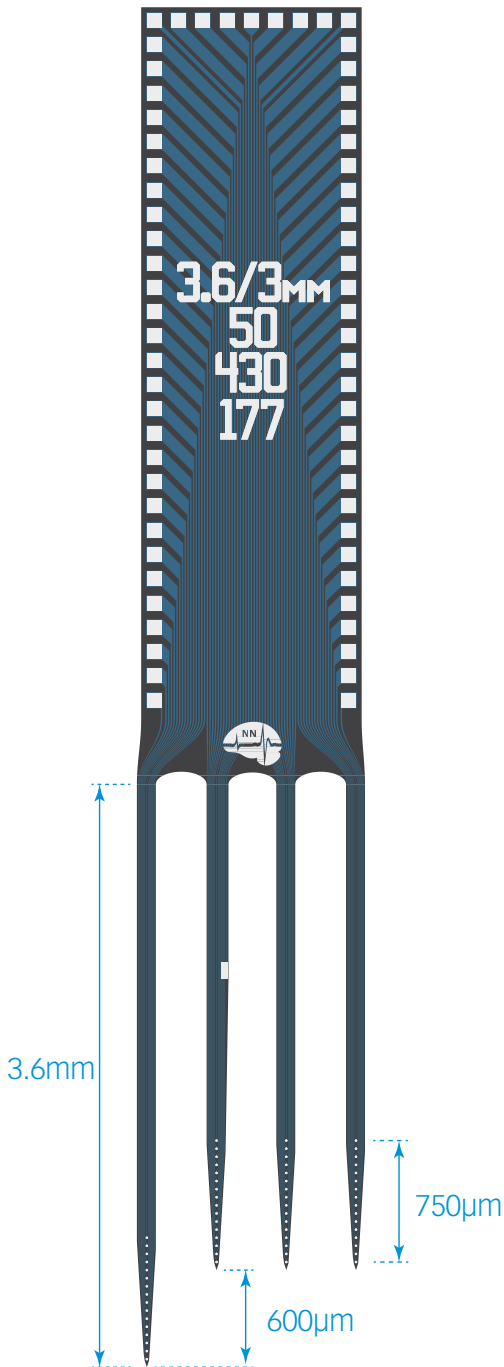
SEARAY
SEACM64

Note: For H-package 64 channel designs: Unless otherwise requested you will receive a probe with up to 2 irregular sites. If you require a perfect probe, please specify when ordering.

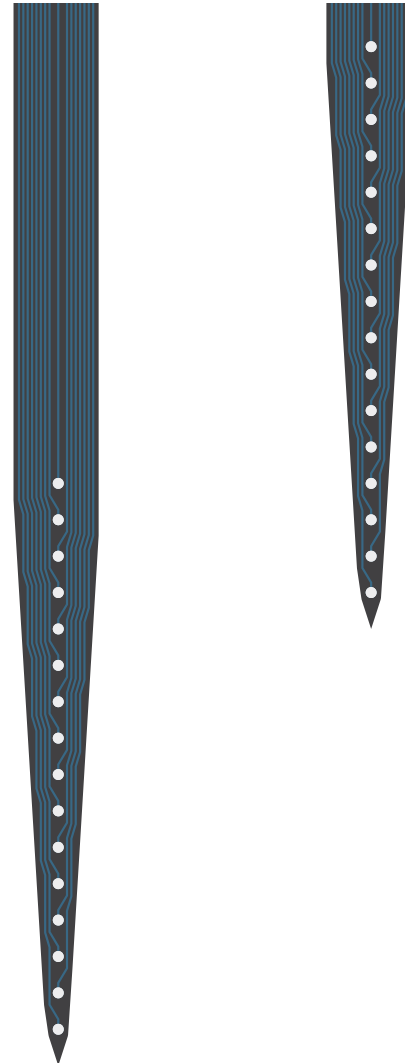
thickness

15 µm

A4x16-3.6/3mm-50-430-177



TIP DETAIL



available packages

ACUTE A64

CHRONIC
H64_30mm
H64LP_30mm
HC64_30mm
HZ64_30mm
Z64

OPTOGENETICS
OA64LP
OA64LP_v2
OH64LP (oDrive)
OXA64LP
(Optogenix)

MR-COMPATIBLE
MR_H64_30mm
MR_HC64_30mm

ACTIVUS
AV64
AVI64
AVH64
AVIH64

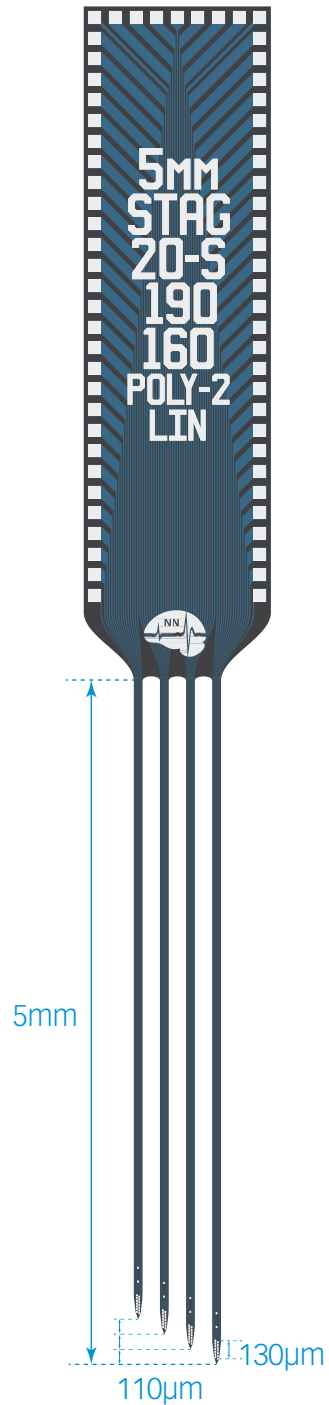
SEARAY
SEACM64

Note: For H-package 64 channel designs: Unless otherwise requested you will receive a probe with up to 2 irregular sites. If you require a perfect probe, please specify when ordering.

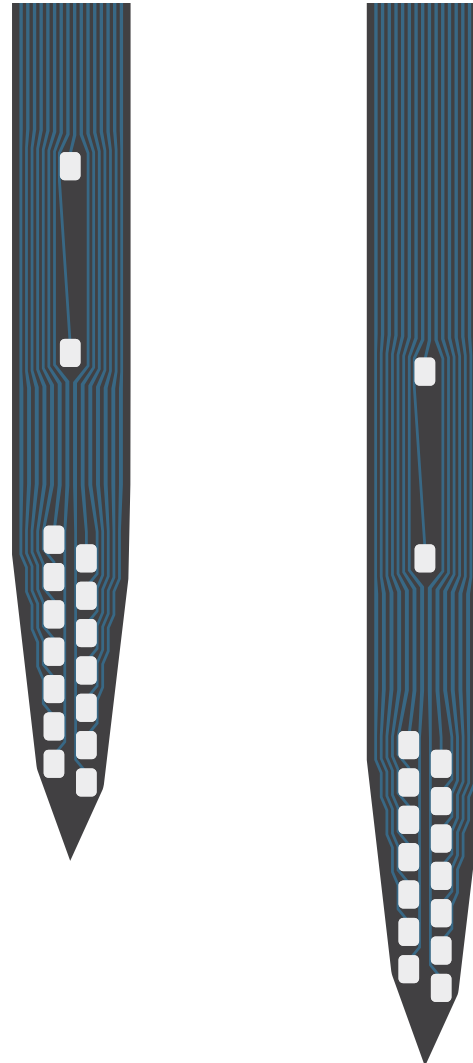
thickness

15 µm

A4x16-Poly2-lin-5mm-20s-stag-190-160



TIP DETAIL



available packages

ACUTE

A64

CHRONIC
H64_30mm
H64LP_30mm
HC64_30mm
HZ64_30mm
Z64

OPTOGENETICS

OA64LP
OA64LP_v2
OH64LP (oDrive)
OXA64LP
(Optogenix)

MR-COMPATIBLE

MR_H64_30mm
MR_HC64_30mm

ACTIVUS

AV64
AVI64
AVH64
AVIH64

SEARAY

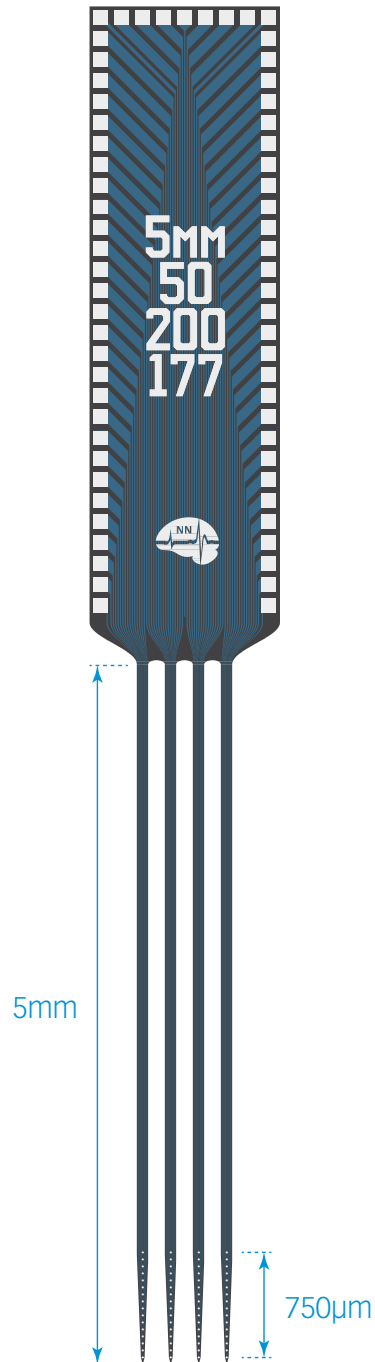
SEACM64

Note: For H-package 64 channel designs: Unless otherwise requested you will receive a probe with up to 2 irregular sites. If you require a perfect probe, please specify when ordering.

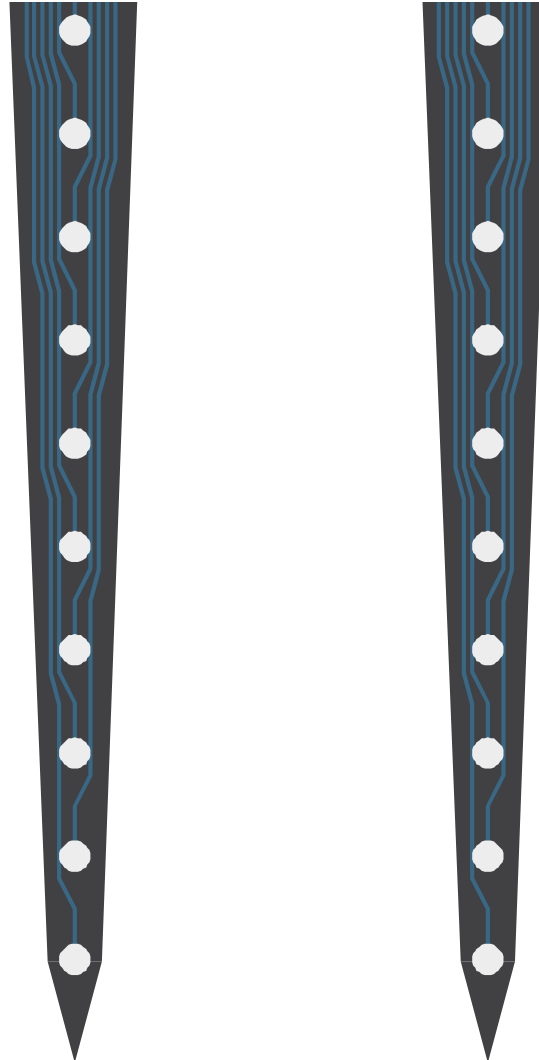
thickness

15 µm

A4x16-5mm-50-200-177



TIP DETAIL



available packages

ACUTE
A64

CHRONIC
H64_30mm
H64LP_30mm
HC64_30mm
HZ64_30mm
Z64

OPTOGENETICS
OA64LP
OA64LP_v2
OH64LP (oDrive)
OXA64LP
(Optogenix)

MR-COMPATIBLE
MR_H64_30mm
MR_HC64_30mm

ACTIVUS
AV64
AVI64
AVH64
AVIH64

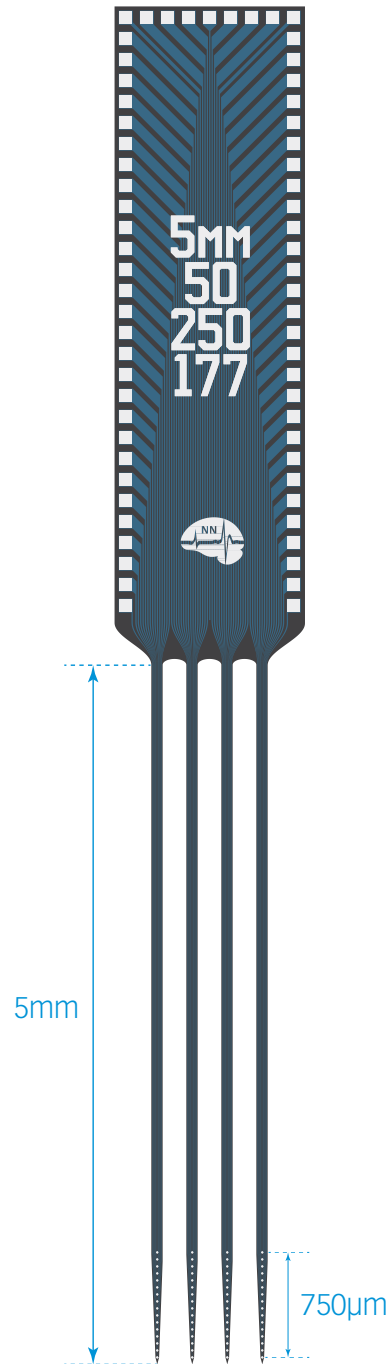
SEARAY
SEACM64

Note: For H-package 64 channel designs: Unless otherwise requested you will receive a probe with up to 2 irregular sites. If you require a perfect probe, please specify when ordering.

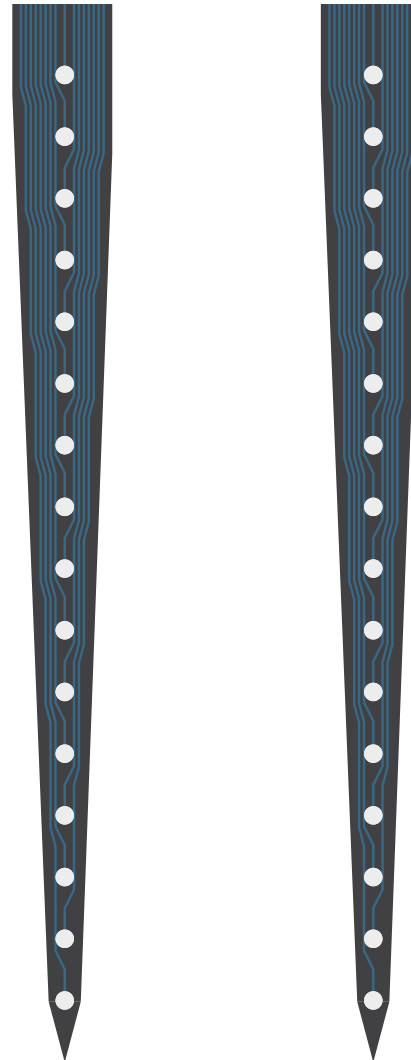
thickness

15 µm

A4x16-5mm-50-250-177



TIP DETAIL



available packages

ACUTE

A64

CHRONIC

H64_30mm
H64LP_30mm
HC64_30mm
HZ64_30mm
Z64

OPTOGENETICS

OA64LP
OA64LP_v2
OH64LP (oDrive)
OXA64LP
(Optogenix)

MR-COMPATIBLE

MR_H64_30mm
MR_HC64_30mm

ACTIVUS

AV64
AVI64
AVH64
AVIH64

SEARAY

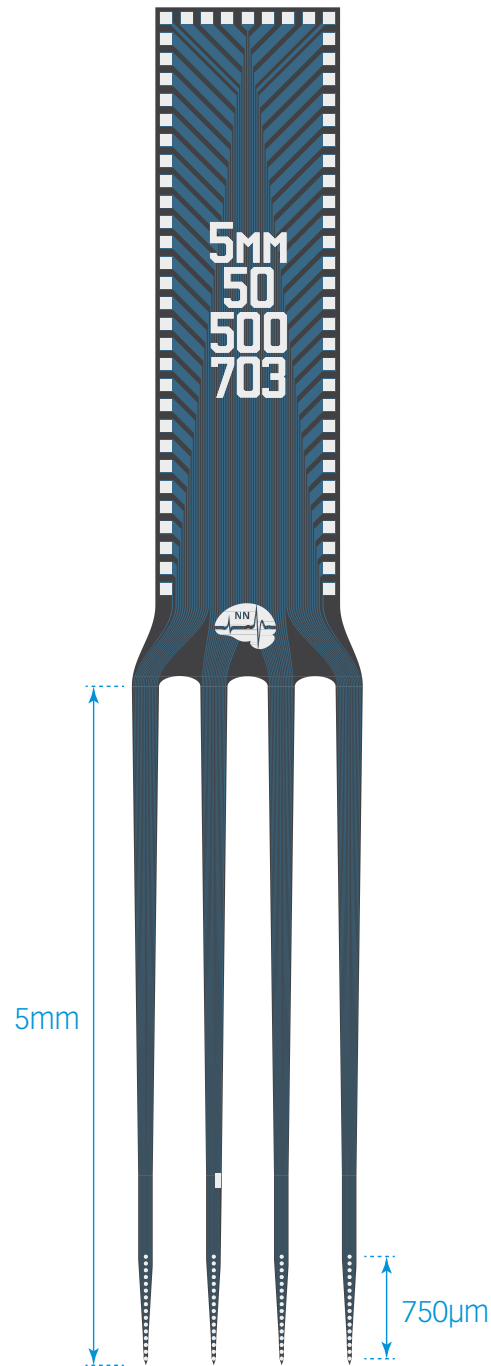
SEACM64

Note: For H-package 64 channel designs: Unless otherwise requested you will receive a probe with up to 2 irregular sites. If you require a perfect probe, please specify when ordering.

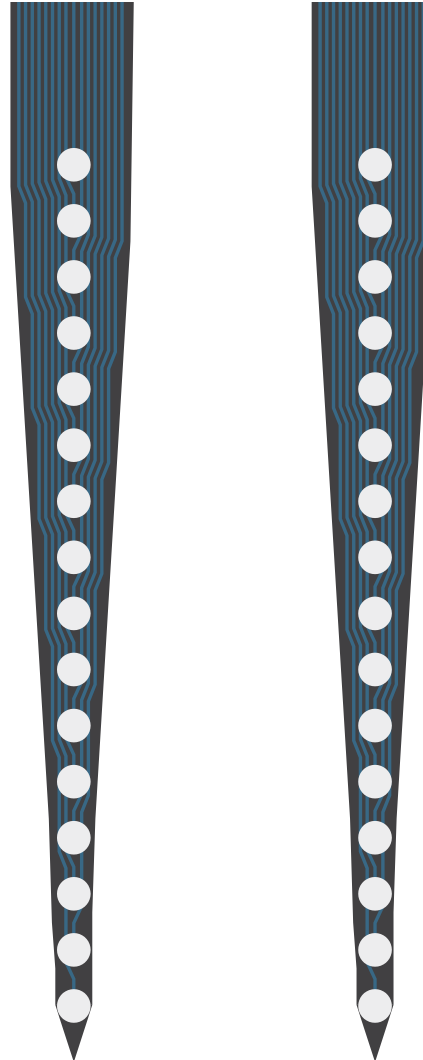
thickness

15 µm

A4x16-5mm-50-500-703



TIP DETAIL



available packages

ACUTE

A64

CHRONIC
H64_30mm
H64LP_30mm
HC64_30mm
HZ64_30mm
Z64

OPTOGENETICS
OA64LP
OA64LP_v2
OH64LP (oDrive)
OXA64LP
(Optogenix)

MR-COMPATIBLE
MR_H64_30mm
MR_HC64_30mm

ACTIVUS
AV64
AVI64
AVH64
AVIH64

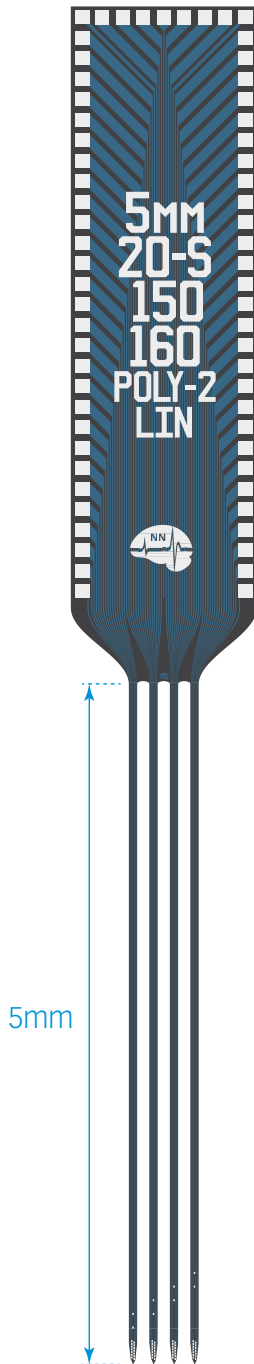
SEARAY
SEACM64

Note: For H-package 64 channel designs: Unless otherwise requested you will receive a probe with up to 2 irregular sites. If you require a perfect probe, please specify when ordering.

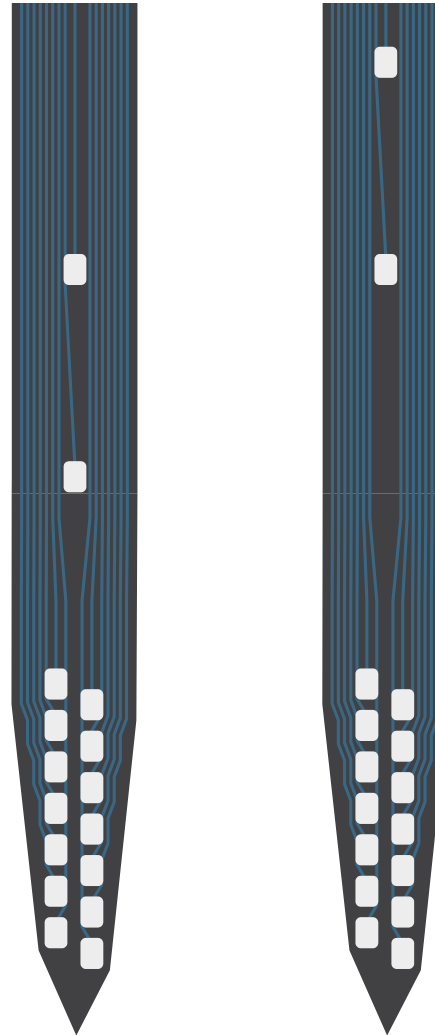
thickness

15 µm

A4x16- Poly2-5mm-20s-150-160



TIP DETAIL



available
packages

ACUTE
A64

CHRONIC
H64_30mm
H64LP_30mm
HC64_30mm
HZ64_30mm
Z64

OPTOGENETICS
OA64LP
OA64LP_v2
OH64LP (oDrive)
OXA64LP
(Optogenix)

MR-COMPATIBLE
MR_H64_30mm
MR_HC64_30mm

ACTIVUS
AV64
AVI64
AVH64
AVIH64

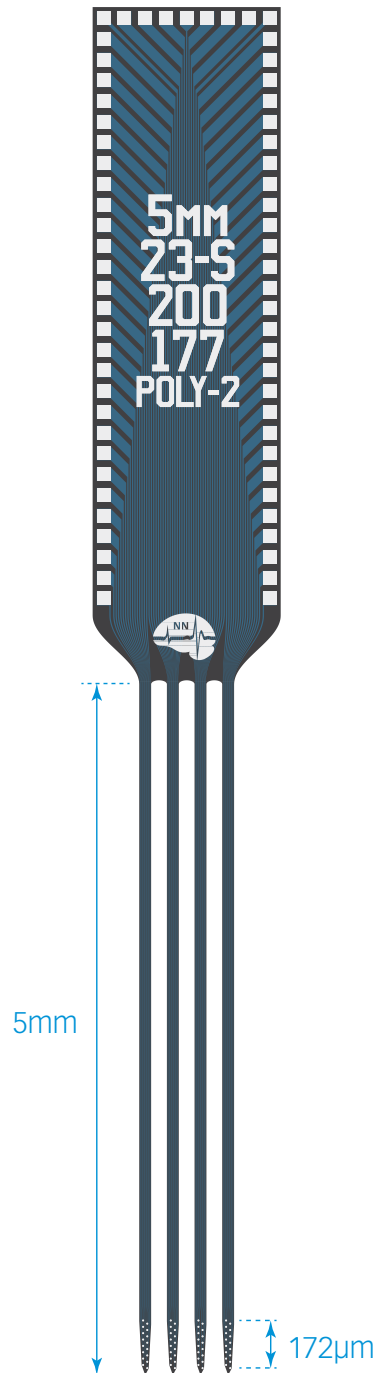
SEARAY
SEACM64

Note: For H-package 64 channel designs: Unless otherwise requested you will receive a probe with up to 2 irregular sites. If you require a perfect probe, please specify when ordering.

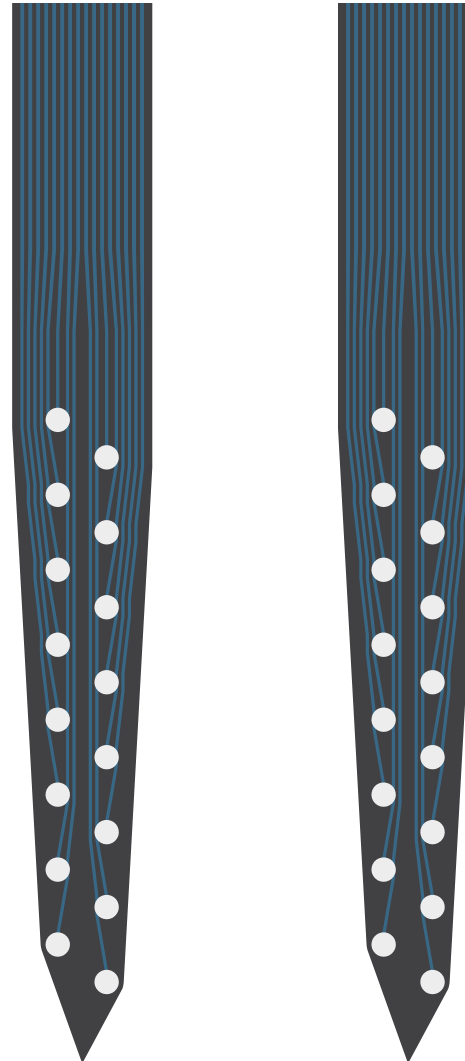
thickness

15 μ m

A4x16-Poly2-5mm-23s-200-177



TIP DETAIL



available packages

ACUTE

A64

CHRONIC
H64_30mm
H64LP_30mm
HC64_30mm
HZ64_30mm
Z64

OPTOGENETICS

OA64LP
OA64LP_v2
OH64LP (oDrive)
OXA64LP
(Optogenix)

MR-COMPATIBLE

MR_H64_30mm
MR_HC64_30mm

ACTIVUS

AV64
AVI64
AVH64
AVIH64

SEARAY

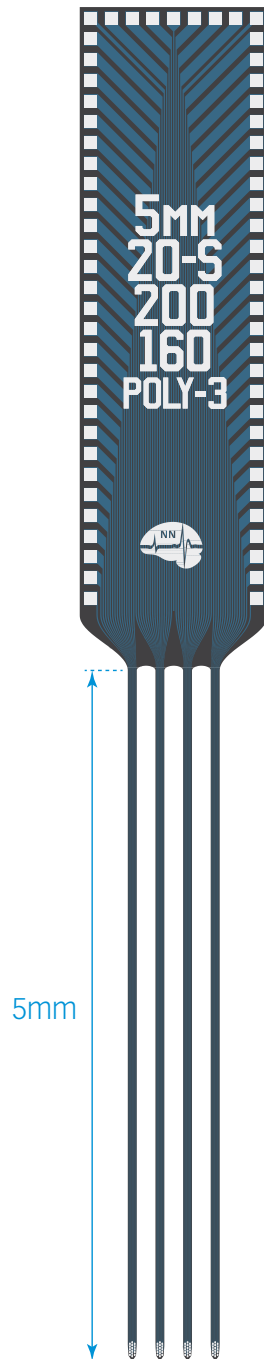
SEACM64

Note: For H-package 64 channel designs: Unless otherwise requested you will receive a probe with up to 2 irregular sites. If you require a perfect probe, please specify when ordering.

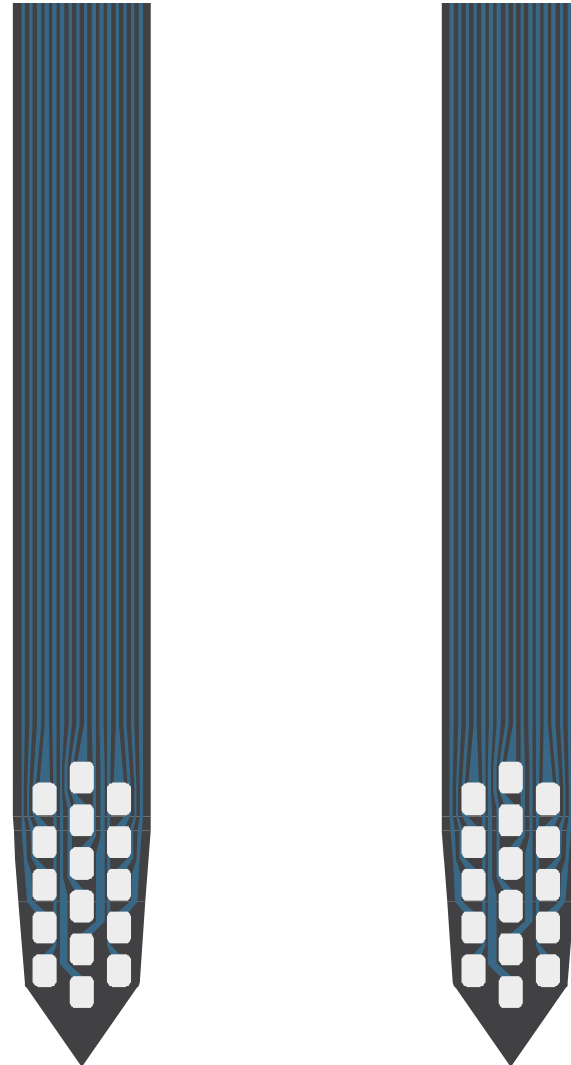
thickness

15 µm

A4x16- Poly3-5mm-20s-200-160



TIP DETAIL



available
packages

ACUTE
A64

CHRONIC
H64_30mm
H64LP_30mm
HC64_30mm
HZ64_30mm
Z64

OPTOGENETICS
OA64LP
OA64LP_v2
OH64LP (oDrive)
OXA64LP
(Optogenix)

MR-COMPATIBLE
MR_H64_30mm
MR_HC64_30mm

ACTIVUS
AV64
AVI64
AVH64
AVIH64

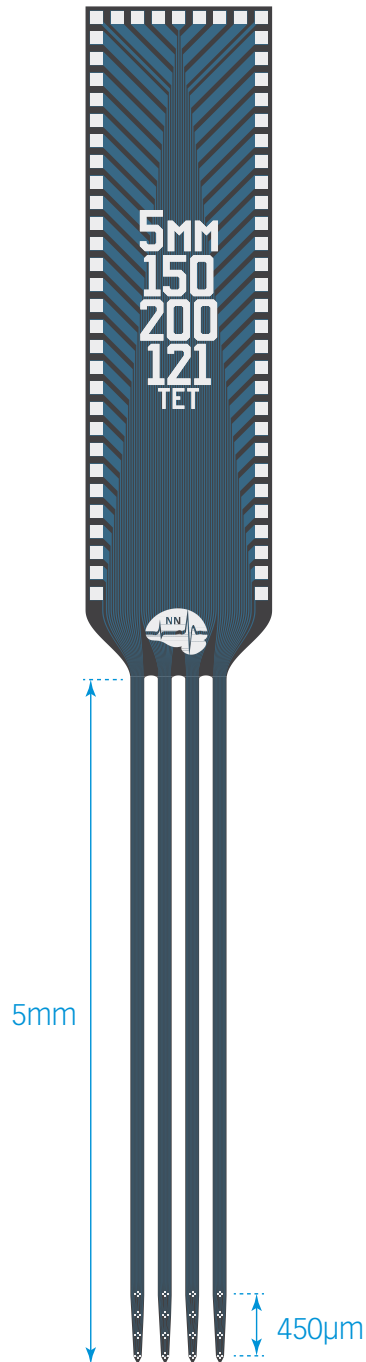
SEARAY
SEACM64

Note: For H-package 64 channel designs: Unless otherwise requested you will receive a probe with up to 2 irregular sites. If you require a perfect probe, please specify when ordering.

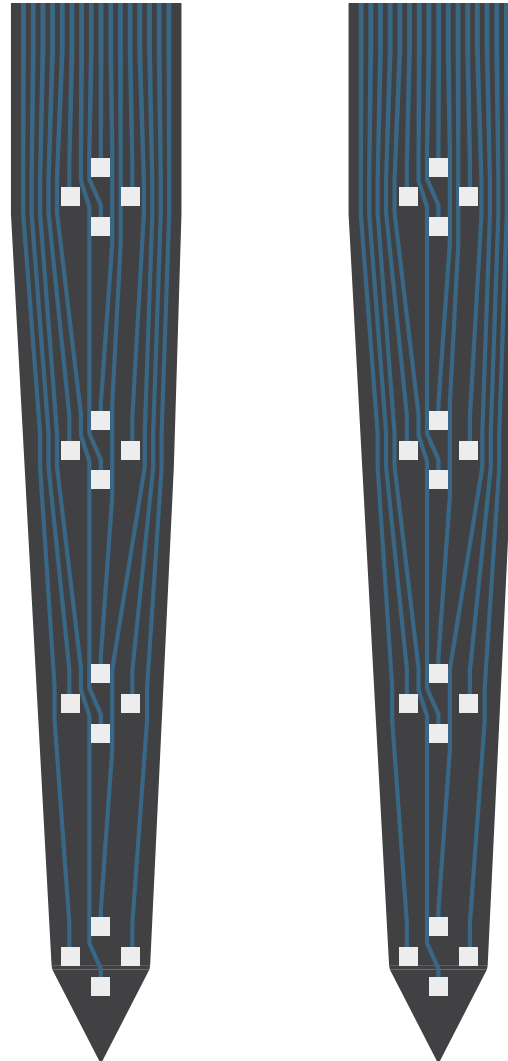
thickness

15 μ m

A4x4-tet-5mm-150-200-121



TIP DETAIL



available packages

ACUTE

A64

CHRONIC
H64_30mm
H64LP_30mm
HC64_30mm
HZ64_30mm
Z64

OPTOGENETICS

OA64LP
OA64LP_v2
OH64LP (oDrive)
OXA64LP
(Optogenix)

MR-COMPATIBLE

MR_H64_30mm
MR_HC64_30mm

ACTIVUS

AV64
AVI64
AVH64
AVIH64

SEARAY

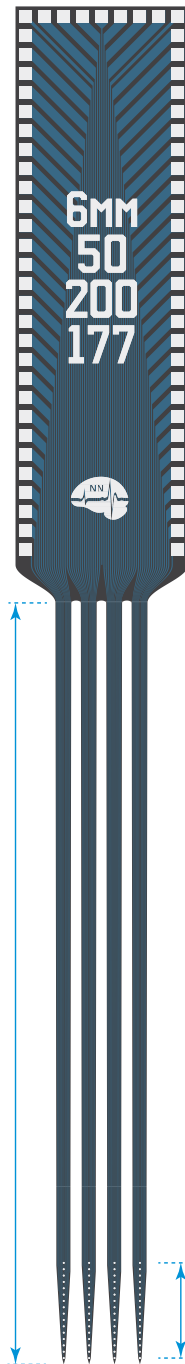
SEACM64

Note: For H-package 64 channel designs: Unless otherwise requested you will receive a probe with up to 2 irregular sites. If you require a perfect probe, please specify when ordering.

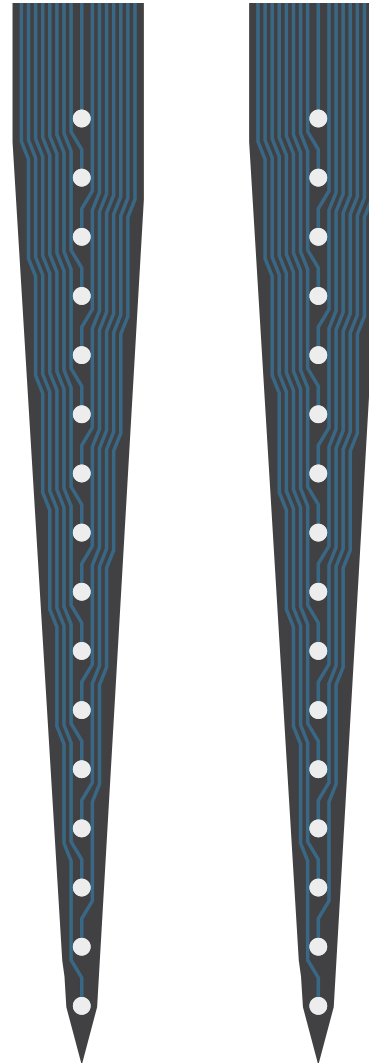
thickness

15 µm

A4x16-6mm-50-200-177



TIP DETAIL



available packages

ACUTE
A64

CHRONIC
H64_30mm
H64LP_30mm
HC64_30mm
HZ64_30mm
Z64

OPTOGENETICS
OA64LP
OA64LP_v2
OH64LP (oDrive)
OXA64LP
(Optogenix)

MR-COMPATIBLE
MR_H64_30mm
MR_HC64_30mm

ACTIVUS
AV64
AVI64
AVH64
AVIH64

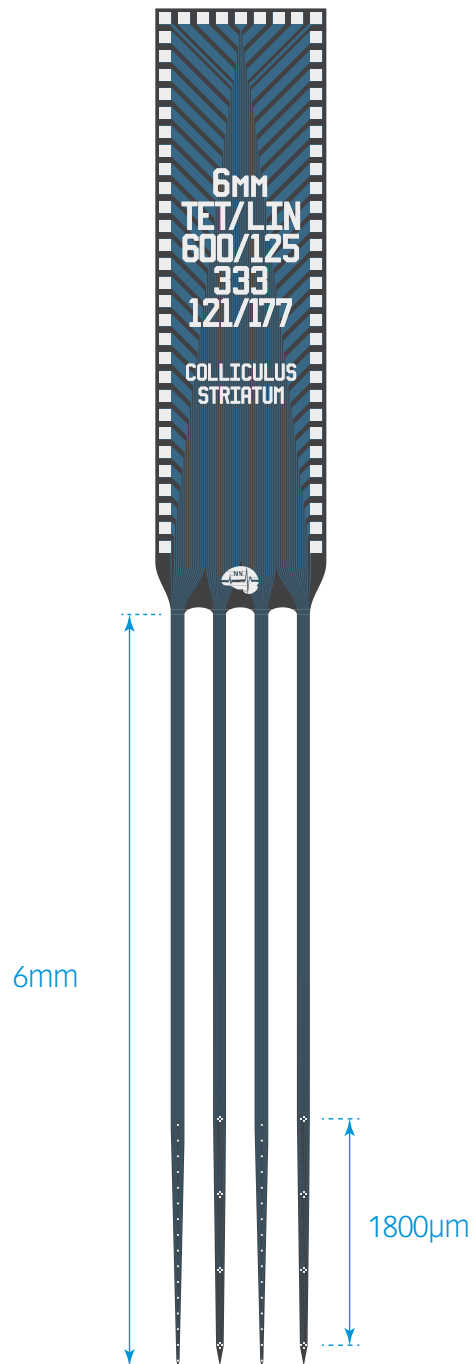
SEARAY
SEACM64

Note: For H-package 64 channel designs: Unless otherwise requested you will receive a probe with up to 2 irregular sites. If you require a perfect probe, please specify when ordering.

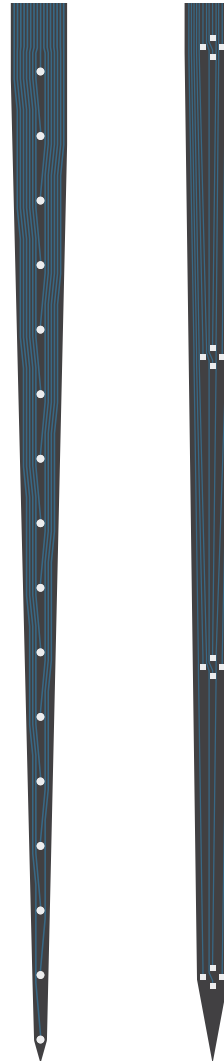
thickness

15 µm

A4x16-6mm-tet/lin- Colliculus Striatum



TIP DETAIL



available packages

ACUTE A64

CHRONIC
H64_30mm
H64LP_30mm
HC64_30mm
HZ64_30mm
Z64

OPTOGENETICS

OA64LP
OA64LP_v2
OH64LP (oDrive)
OXA64LP
(Optogenix)

MR-COMPATIBLE

MR_H64_30mm
MR_HC64_30mm

ACTIVUS

AV64
AVI64
AVH64
AVIH64

SEARAY

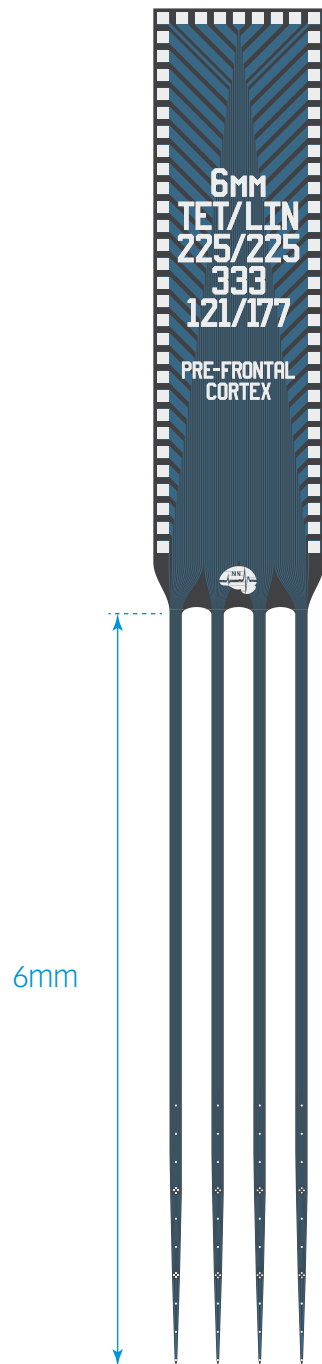
SEACM64

Note: For H-package 64 channel designs: Unless otherwise requested you will receive a probe with up to 2 irregular sites. If you require a perfect probe, please specify when ordering.

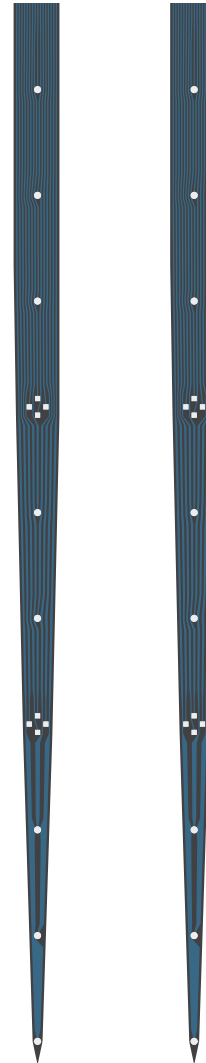
thickness

15 µm

A4x16-6mm-tet/lin- prefrontal cortex



TIP DETAIL



available packages

ACUTE A64

CHRONIC
H64_30mm
H64LP_30mm
HC64_30mm
HZ64_30mm
Z64

OPTOGENETICS

OA64LP
OA64LP_v2
OH64LP (oDrive)
OXA64LP
(Optogenix)

MR-COMPATIBLE

MR_H64_30mm
MR_HC64_30mm

ACTIVUS

AV64
AVI64
AVH64
AVIH64

SEARAY

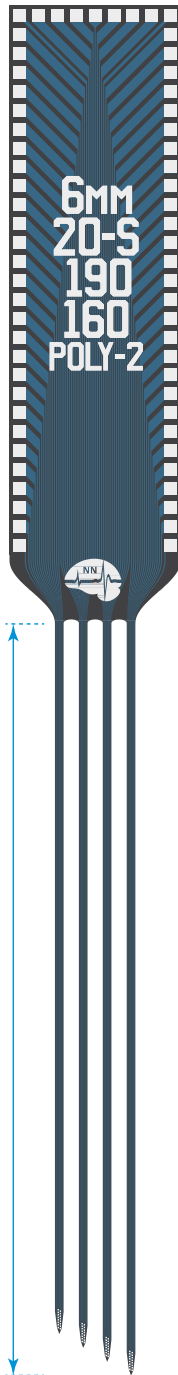
SEACM64

Note: For H-package 64 channel designs: Unless otherwise requested you will receive a probe with up to 2 irregular sites. If you require a perfect probe, please specify when ordering.

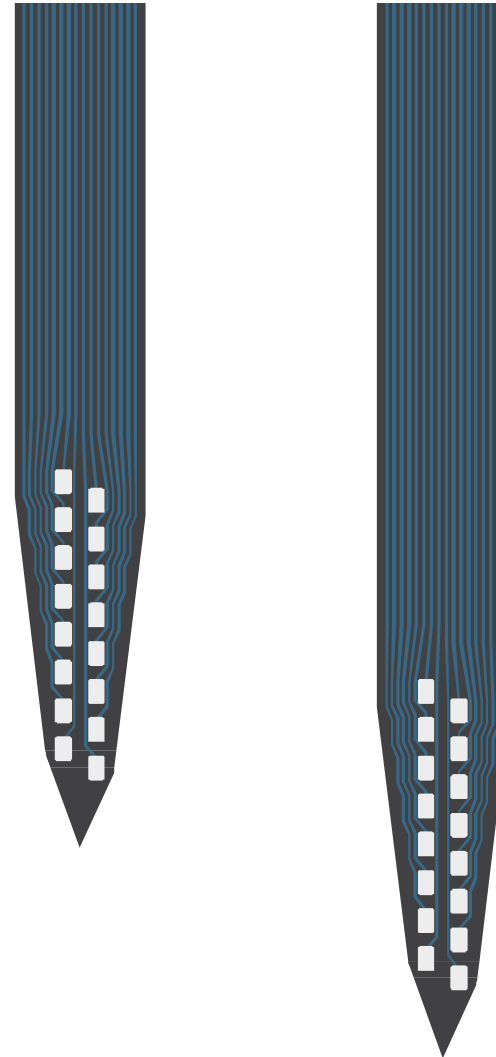
thickness

15 μ m

A4x16-Poly2-6mm-20s- stag-190-160



TIP DETAIL



available packages

ACUTE

A64

CHRONIC
H64_30mm
H64LP_30mm
HC64_30mm
HZ64_30mm
Z64

OPTOGENETICS

OA64LP
OA64LP_v2
OH64LP (oDrive)
OXA64LP
(Optogenix)

MR-COMPATIBLE

MR_H64_30mm
MR_HC64_30mm

ACTIVUS

AV64
AVI64
AVH64
AVIH64

SEARAY

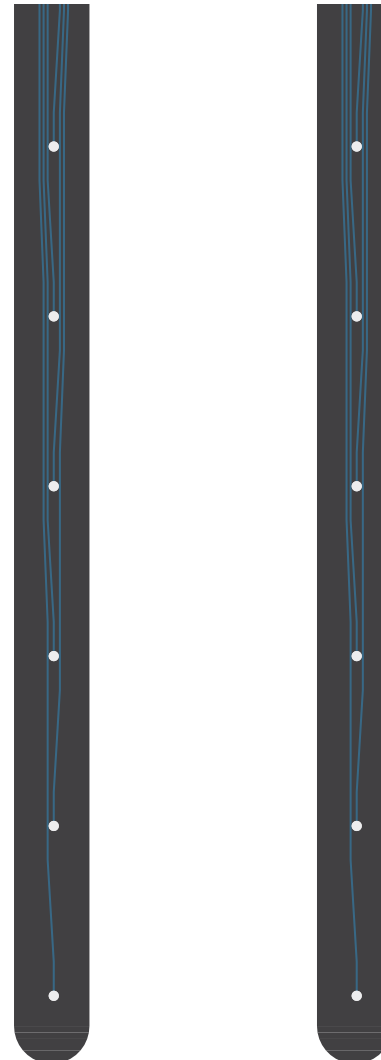
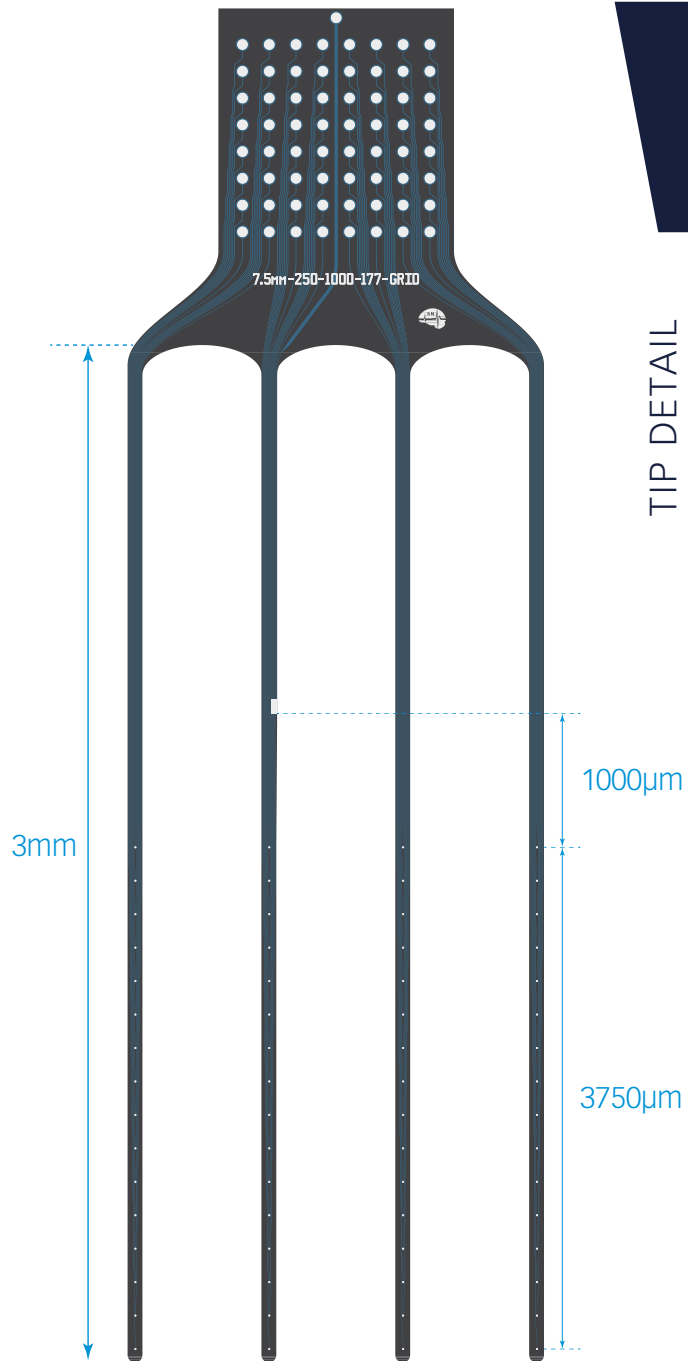
SEACM64

Note: For H-package 64 channel designs: Unless otherwise requested you will receive a probe with up to 2 irregular sites. If you require a perfect probe, please specify when ordering.

thickness

15 μ m

A4x16-7.5mm-250-1000-177-grid



available packages

ACUTE

A64

CHRONIC
H64_30mm
H64LP_30mm
HC64_30mm
HZ64_30mm
Z64

OPTOGENETICS

OA64LP
OA64LP_v2
OH64LP (oDrive)
OXA64LP
(Optogenix)

MR-COMPATIBLE

MR_H64_30mm
MR_HC64_30mm

ACTIVUS

AV64
AVI64
AVH64
AVIH64

SEARAY

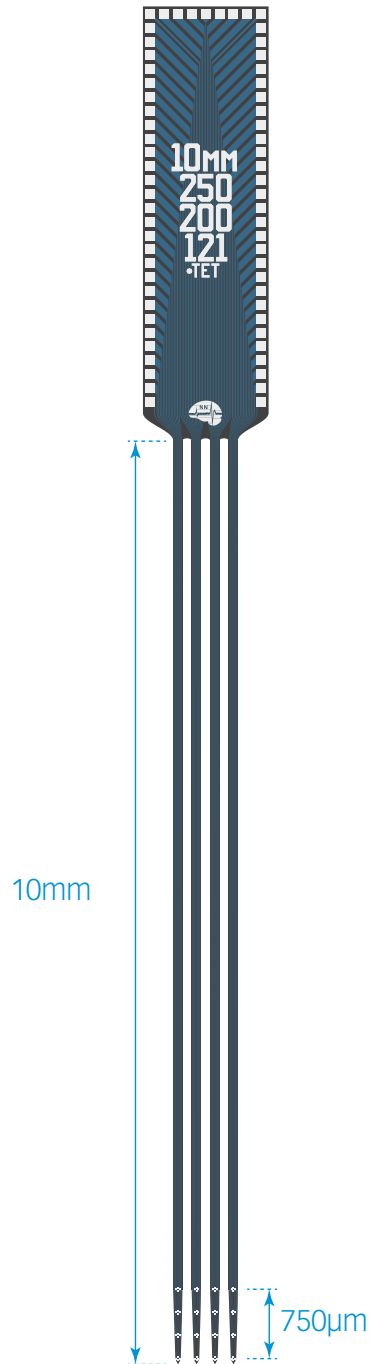
SEACM64

Note: For H-package 64 channel designs: Unless otherwise requested you will receive a probe with up to 2 irregular sites. If you require a perfect probe, please specify when ordering.

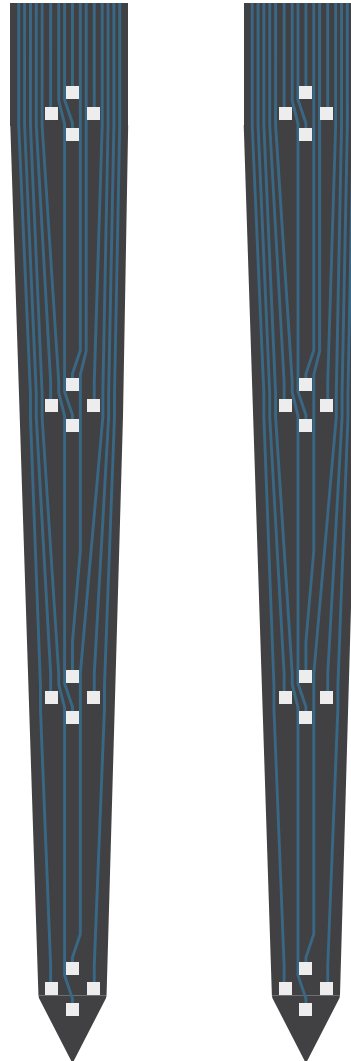
thickness

50 µm

A4x4-tet-10mm-250-200-121



TIP DETAIL



available packages

ACUTE

A64

CHRONIC
H64_30mm
H64LP_30mm
HC64_30mm
HZ64_30mm
Z64

OPTOGENETICS

OA64LP
OA64LP_v2
OH64LP (oDrive)
OXA64LP
(Optogenix)

MR-COMPATIBLE

MR_H64_30mm
MR_HC64_30mm

ACTIVUS

AV64
AVI64
AVH64
AVIH64

SEARAY

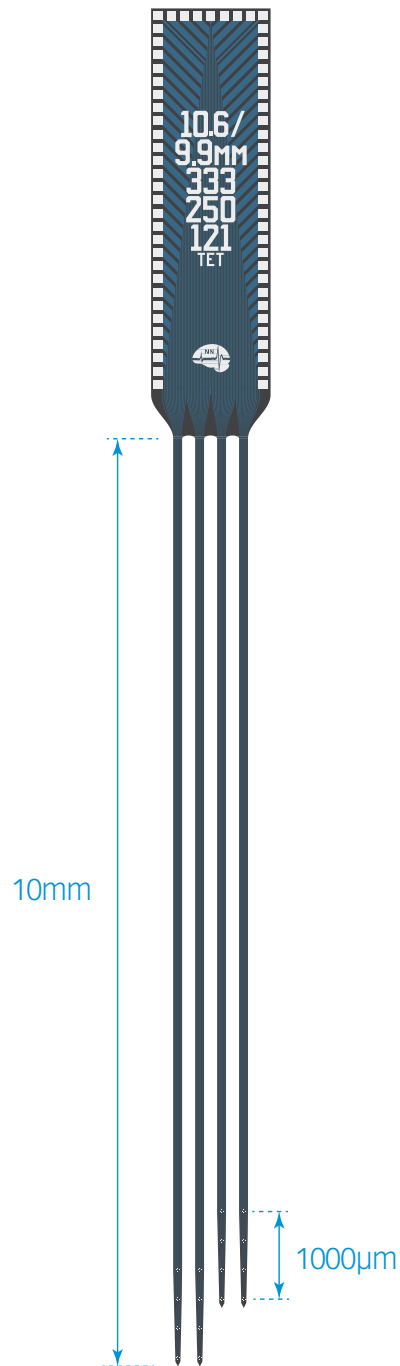
SEACM64

Note: For H-package 64 channel designs: Unless otherwise requested you will receive a probe with up to 2 irregular sites. If you require a perfect probe, please specify when ordering.

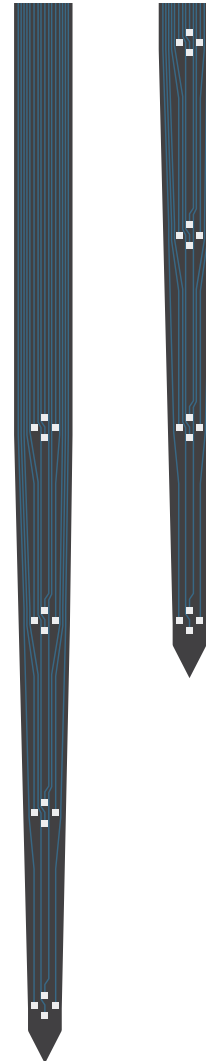
thickness

50 µm

A4x4-tet-10.6mm-333-250-121



TIP DETAIL



available packages

ACUTE

A64

CHRONIC
H64_30mm
H64LP_30mm
HC64_30mm
HZ64_30mm
Z64

OPTOGENETICS
OA64LP
OA64LP_v2
OH64LP (oDrive)
OXA64LP
(Optogenix)

MR-COMPATIBLE
MR_H64_30mm
MR_HC64_30mm

ACTIVUS
AV64
AVI64
AVH64
AVIH64

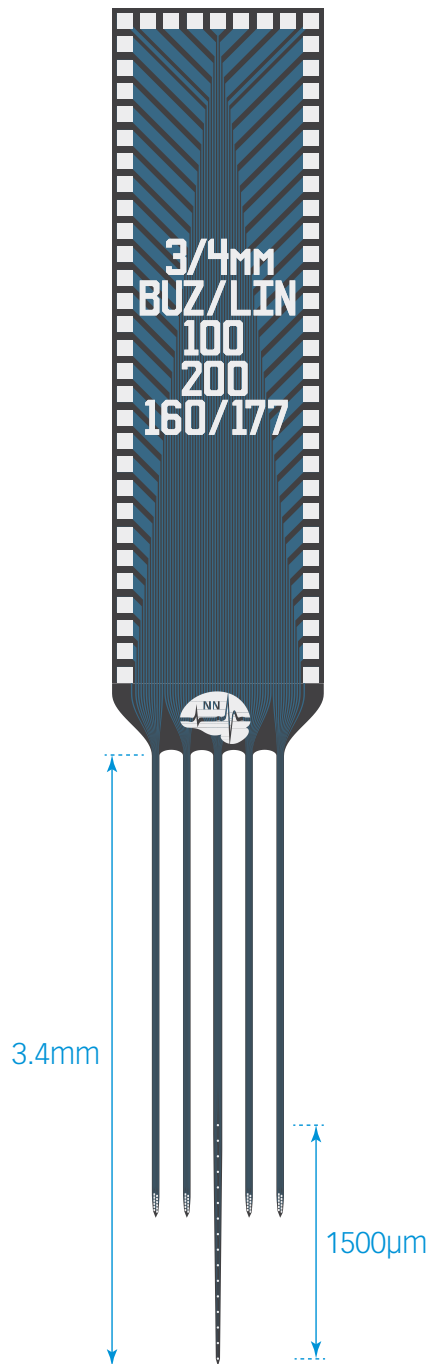
SEARAY
SEACM64

Note: For H-package 64 channel designs: Unless otherwise requested you will receive a probe with up to 2 irregular sites. If you require a perfect probe, please specify when ordering.

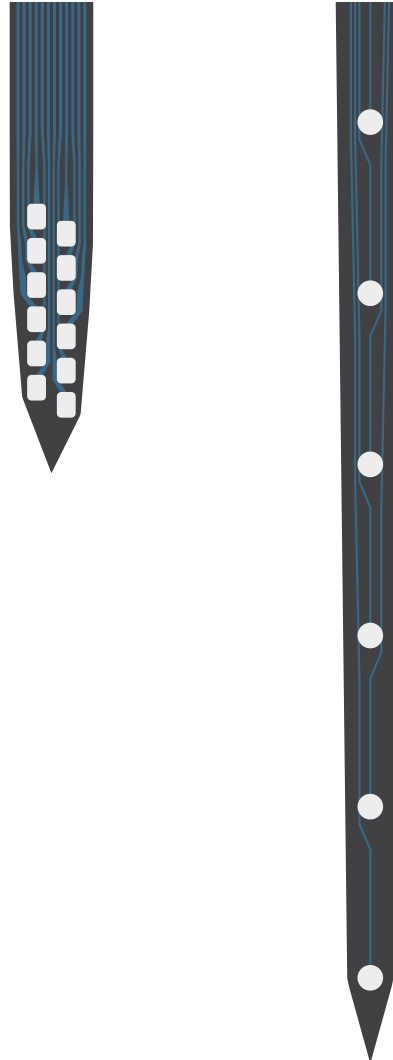
thickness

50 µm

A5x12/16-buz/lin-3/4mm- 100-200-160/177



TIP DETAIL



available packages

ACUTE A64

CHRONIC
H64_30mm
H64LP_30mm
HC64_30mm
HZ64_30mm
Z64

OPTOGENETICS
OA64LP
OA64LP_v2
OH64LP (oDrive)
OXA64LP
(Optogenix)

MR-COMPATIBLE
MR_H64_30mm
MR_HC64_30mm

ACTIVUS
AV64
AVI64
AVH64
AVIH64

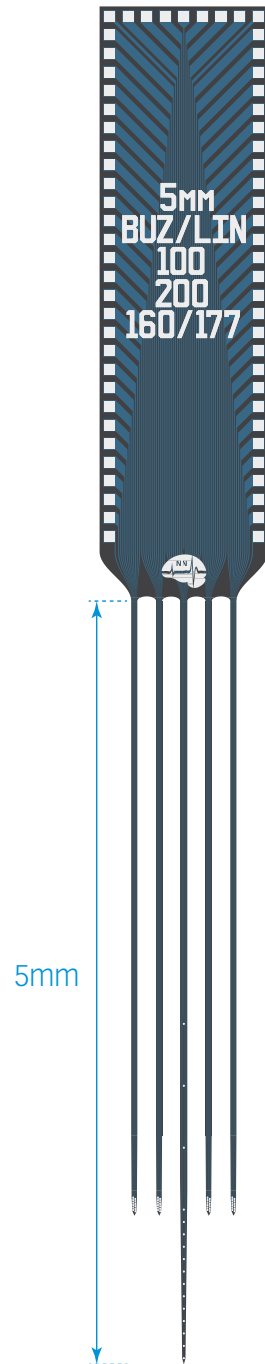
SEARAY
SEACM64

Note: For H-package 64 channel designs: Unless otherwise requested you will receive a probe with up to 2 irregular sites. If you require a perfect probe, please specify when ordering.

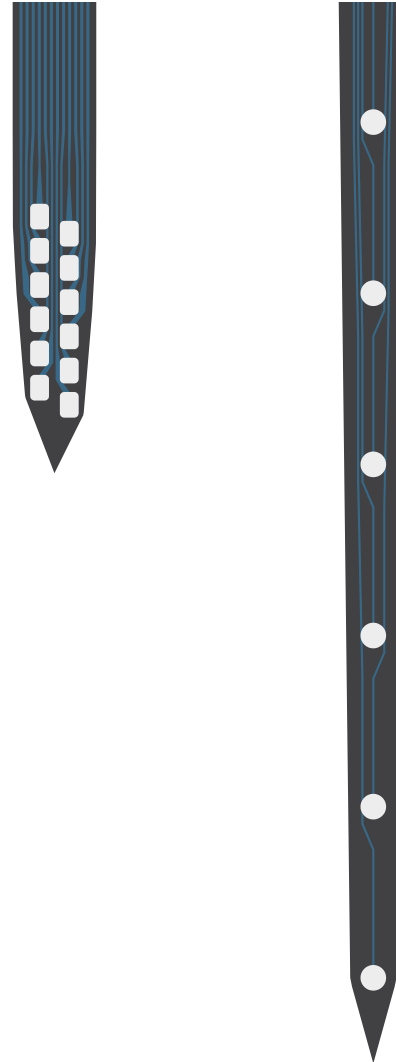
thickness

15 µm

A5x12/16-buz/lin-5mm-100-200-160



TIP DETAIL



available packages

ACUTE

A64

CHRONIC
H64_30mm
H64LP_30mm
HC64_30mm
HZ64_30mm
Z64

OPTOGENETICS
OA64LP
OA64LP_v2
OH64LP (oDrive)
OXA64LP
(Optogenix)

MR-COMPATIBLE
MR_H64_30mm
MR_HC64_30mm

ACTIVUS
AV64
AVI64
AVH64
AVIH64

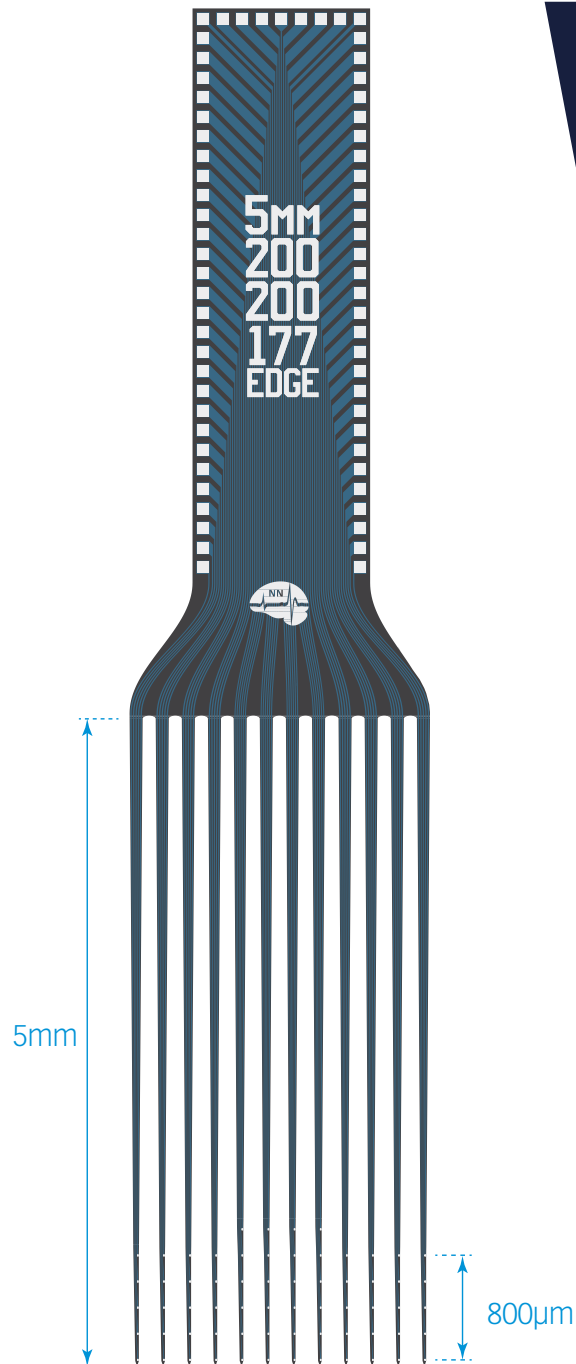
SEARAY
SEACM64

Note: For H-package 64 channel designs: Unless otherwise requested you will receive a probe with up to 2 irregular sites. If you require a perfect probe, please specify when ordering.

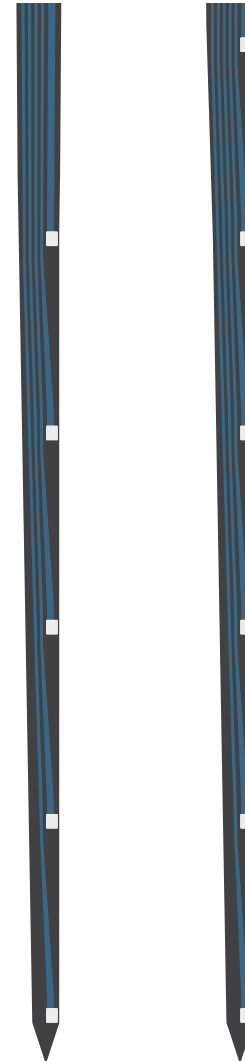
thickness

15 μ m

A12x5-5mm-200-200-177



TIP DETAIL



available packages

ACUTE

A64

CHRONIC
H64_30mm
H64LP_30mm
HC64_30mm
HZ64_30mm
Z64

OPTOGENETICS

OA64LP
OA64LP_v2
OH64LP (oDrive)
OXA64LP
(Optogenix)

MR-COMPATIBLE

MR_H64_30mm
MR_HC64_30mm

ACTIVUS

AV64
AVI64
AVH64
AVIH64

SEARAY

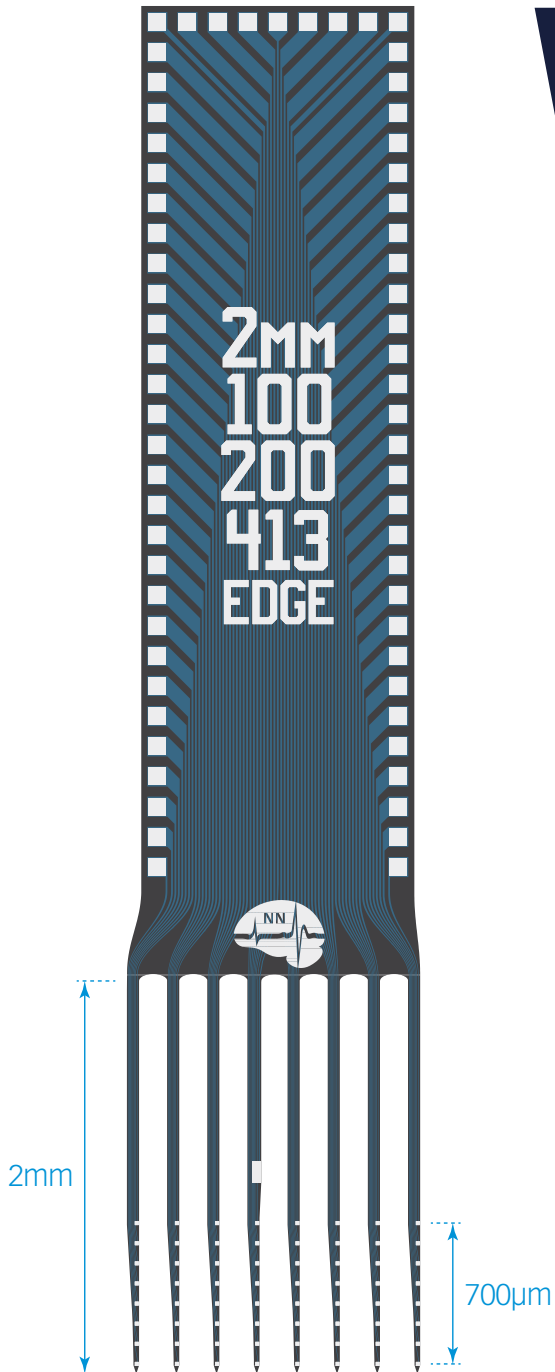
SEACM64

Note: For H-package 64 channel designs: Unless otherwise requested you will receive a probe with up to 2 irregular sites. If you require a perfect probe, please specify when ordering.

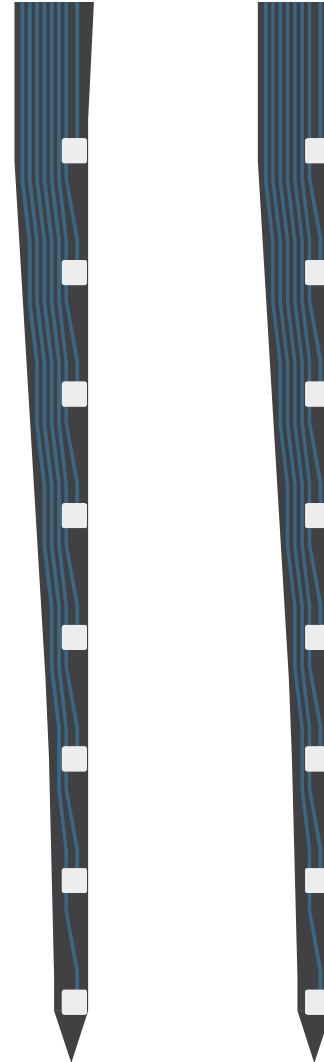
thickness

50 µm

A8x8-Edge-2mm-100-200-413



TIP DETAIL



available packages

ACUTE

A64

CHRONIC
H64_30mm
H64LP_30mm
HC64_30mm
HZ64_30mm
Z64

OPTOGENETICS
OA64LP
OA64LP_v2
OH64LP (oDrive)
OXA64LP
(Optogenix)

MR-COMPATIBLE
MR_H64_30mm
MR_HC64_30mm

ACTIVUS
AV64
AVI64
AVH64
AVIH64

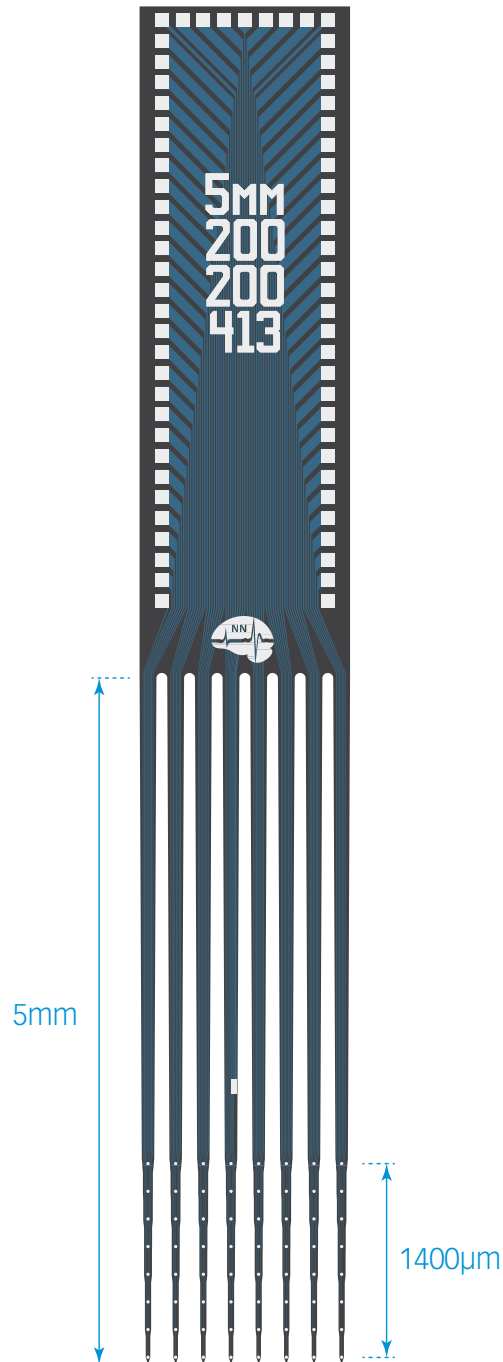
SEARAY
SEACM64

Note: For H-package 64 channel designs: Unless otherwise requested you will receive a probe with up to 2 irregular sites. If you require a perfect probe, please specify when ordering.

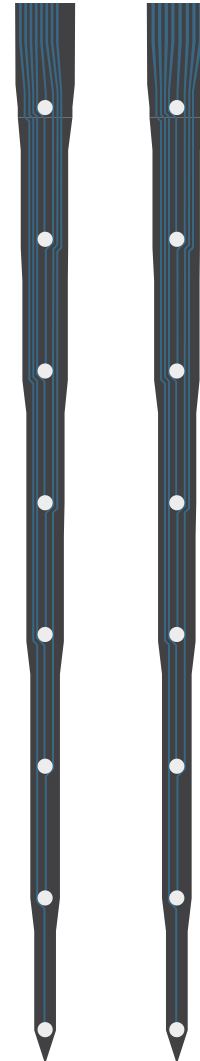
thickness

50 µm

A8x8-5mm-200-200-177



TIP DETAIL



available packages

ACUTE
A64

CHRONIC
H64_30mm
H64LP_30mm
HC64_30mm
HZ64_30mm
Z64

OPTOGENETICS
OA64LP
OA64LP_v2
OH64LP (oDrive)
OXA64LP
(Optogenix)

MR-COMPATIBLE
MR_H64_30mm
MR_HC64_30mm

ACTIVUS
AV64
AVI64
AVH64
AVIH64

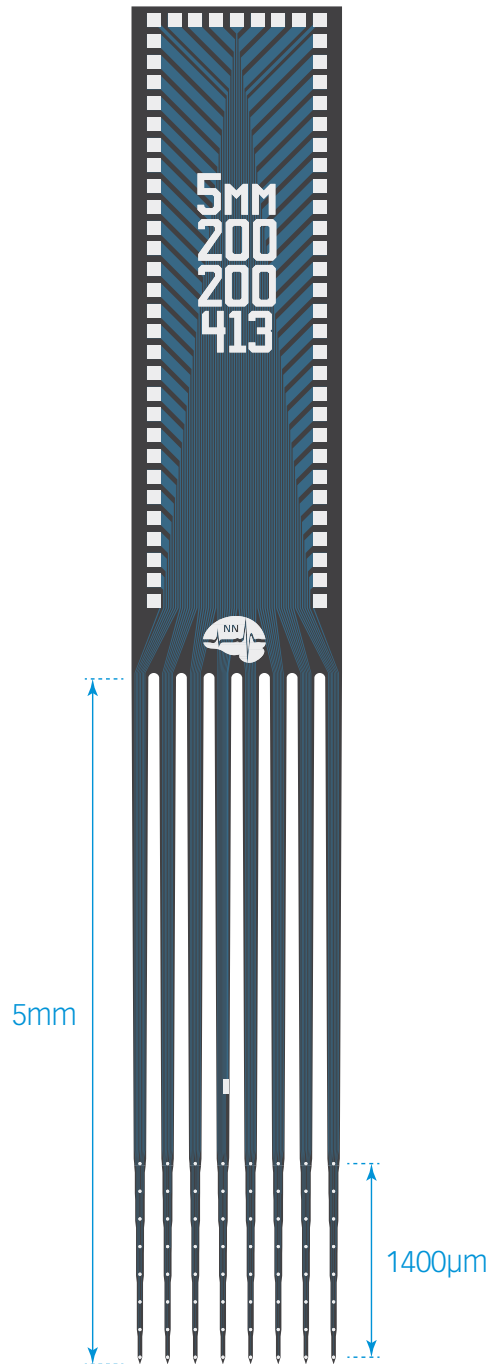
SEARAY
SEACM64

Note: For H-package 64 channel designs: Unless otherwise requested you will receive a probe with up to 2 irregular sites. If you require a perfect probe, please specify when ordering.

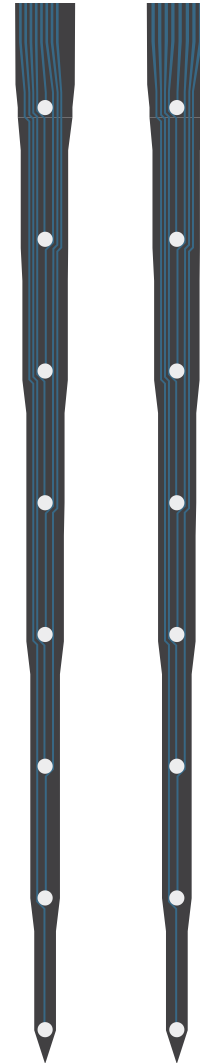
thickness

15 µm

A8x8-5mm-200-200-413



TIP DETAIL



available packages

ACUTE
A64

CHRONIC
H64_30mm
H64LP_30mm
HC64_30mm
HZ64_30mm
Z64

OPTOGENETICS
OA64LP
OA64LP_v2
OH64LP (oDrive)
OXA64LP
(Optogenix)

MR-COMPATIBLE
MR_H64_30mm
MR_HC64_30mm

ACTIVUS
AV64
AVI64
AVH64
AVIH64

SEARAY
SEACM64

Note: For H-package 64 channel designs: Unless otherwise requested you will receive a probe with up to 2 irregular sites. If you require a perfect probe, please specify when ordering.

thickness

15 and 50 μm

A8x8-5mm-200-200-703

available packages

ACUTE

A64

CHRONIC
H64_30mm
H64LP_30mm
HC64_30mm
HZ64_30mm
Z64

OPTOGENETICS
OA64LP
OA64LP_v2
OH64LP (oDrive)
OXA64LP
(Optogenix)

MR-COMPATIBLE
MR_H64_30mm
MR_HC64_30mm

ACTIVUS
AV64
AVI64
AVH64
AVIH64

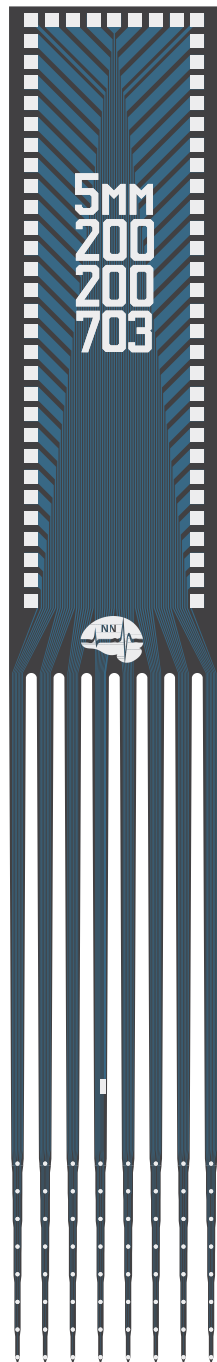
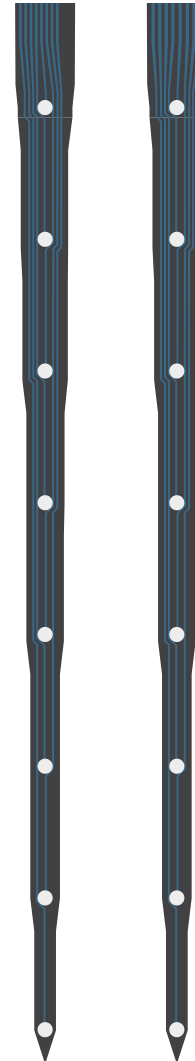
SEARAY
SEACM64

Note: For H-package 64 channel designs: Unless otherwise requested you will receive a probe with up to 2 irregular sites. If you require a perfect probe, please specify when ordering.

thickness

50 μ m

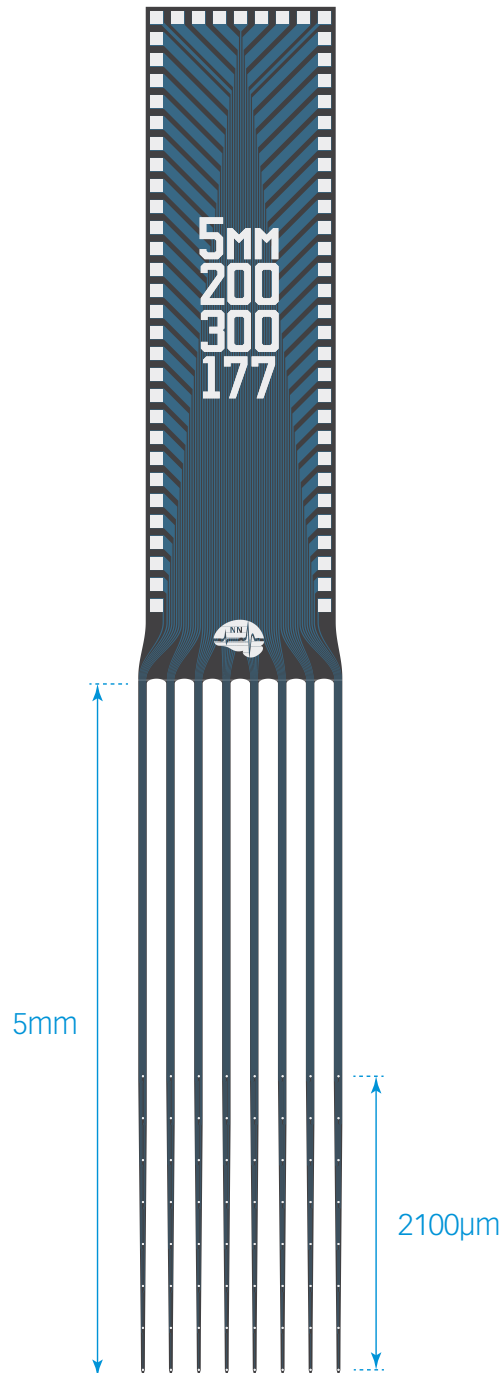
TIP DETAIL



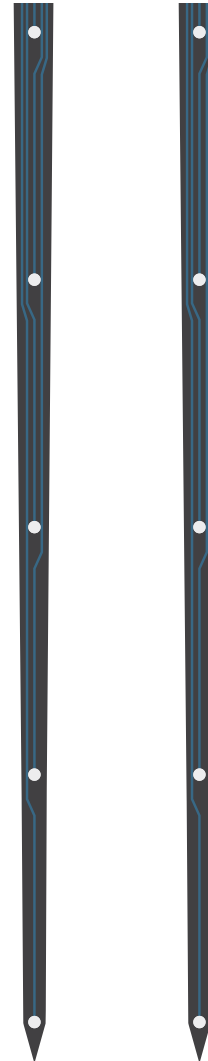
5mm

1400 μ m

A8x8-5mm-300-200-177



TIP DETAIL



available packages

ACUTE

A64

CHRONIC

H64_30mm
H64LP_30mm
HC64_30mm
HZ64_30mm
Z64

OPTOGENETICS

OA64LP
OA64LP_v2
OH64LP (oDrive)
OXA64LP
(Optogenix)

MR-COMPATIBLE

MR_H64_30mm
MR_HC64_30mm

ACTIVUS

AV64
AVI64
AVH64
AVIH64

SEARAY

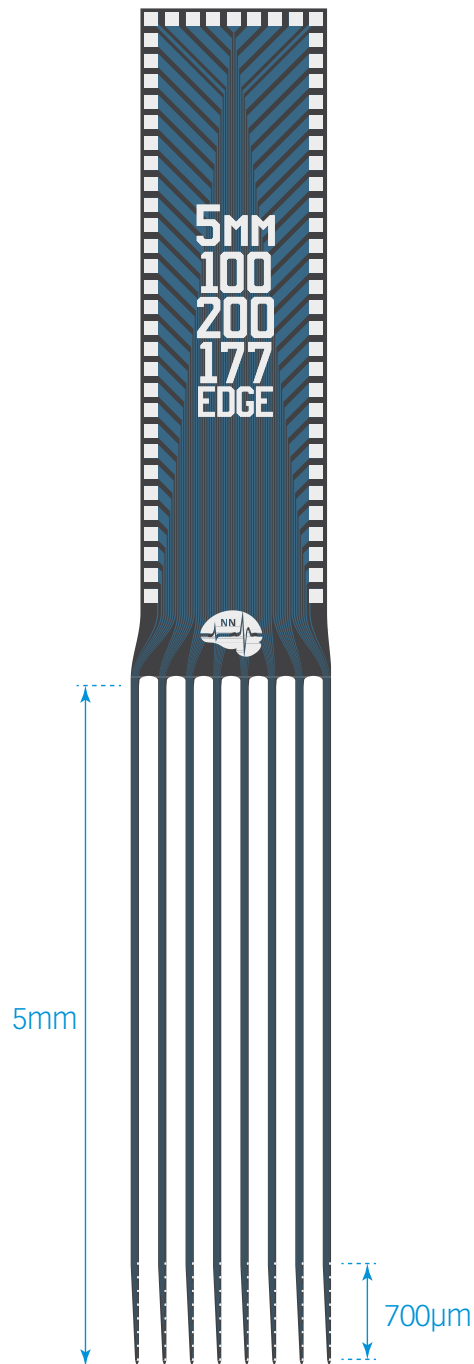
SEACM64

Note: For H-package 64 channel designs: Unless otherwise requested you will receive a probe with up to 2 irregular sites. If you require a perfect probe, please specify when ordering.

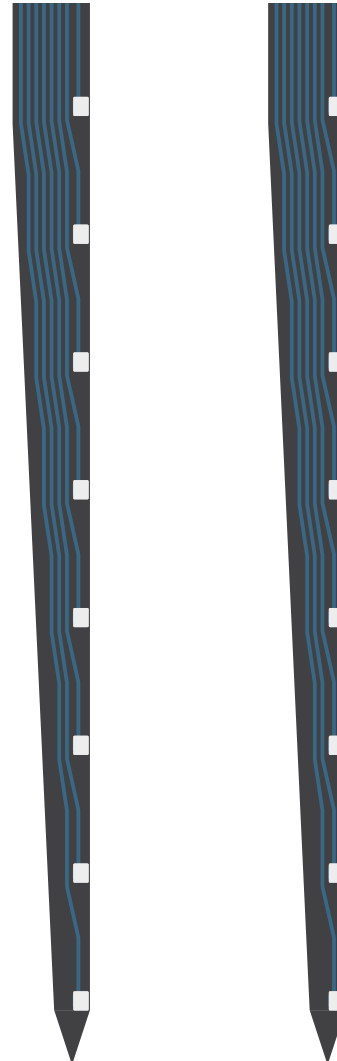
thickness

50 µm

A8x8-Edge-5mm-100-200-177



TIP DETAIL



available packages

ACUTE

A64

CHRONIC
H64_30mm
H64LP_30mm
HC64_30mm
HZ64_30mm
Z64

OPTOGENETICS

OA64LP
OA64LP_v2
OH64LP (oDrive)
OXA64LP
(Optogenix)

MR-COMPATIBLE

MR_H64_30mm
MR_HC64_30mm

ACTIVUS

AV64
AVI64
AVH64
AVIH64

SEARAY

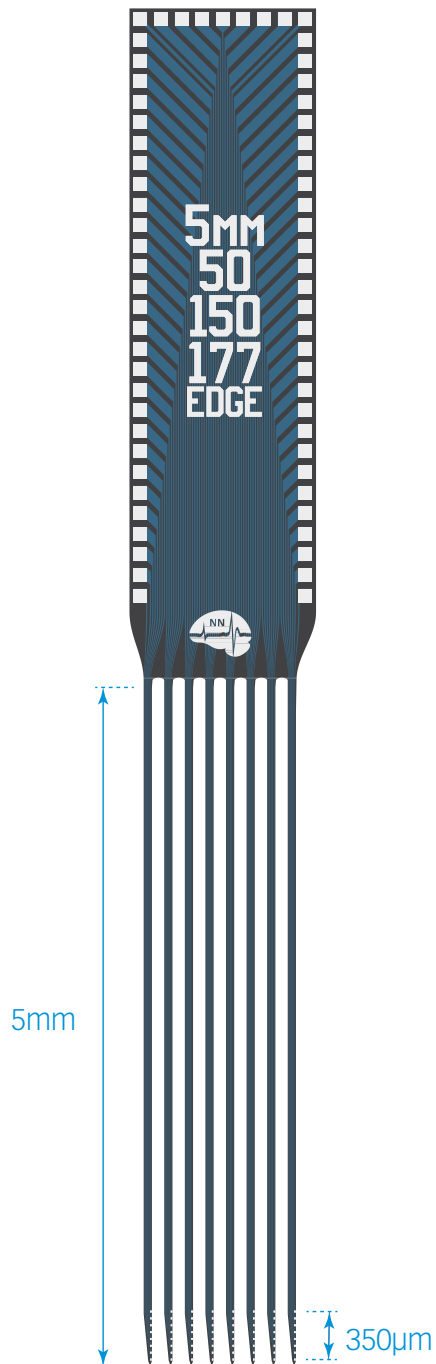
SEACM64

Note: For H-package 64 channel designs: Unless otherwise requested you will receive a probe with up to 2 irregular sites. If you require a perfect probe, please specify when ordering.

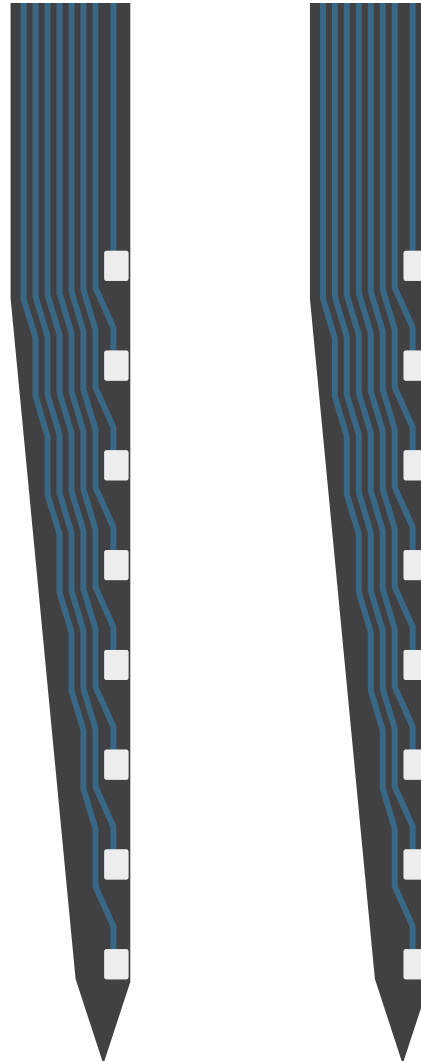
thickness

15 µm

A8x8-Edge-5mm-50-150-177



TIP DETAIL



available packages

ACUTE

A64

CHRONIC
H64_30mm
H64LP_30mm
HC64_30mm
HZ64_30mm
Z64

OPTOGENETICS
OA64LP
OA64LP_v2
OH64LP (oDrive)
OXA64LP
(Optogenix)

MR-COMPATIBLE
MR_H64_30mm
MR_HC64_30mm

ACTIVUS
AV64
AVI64
AVH64
AVIH64

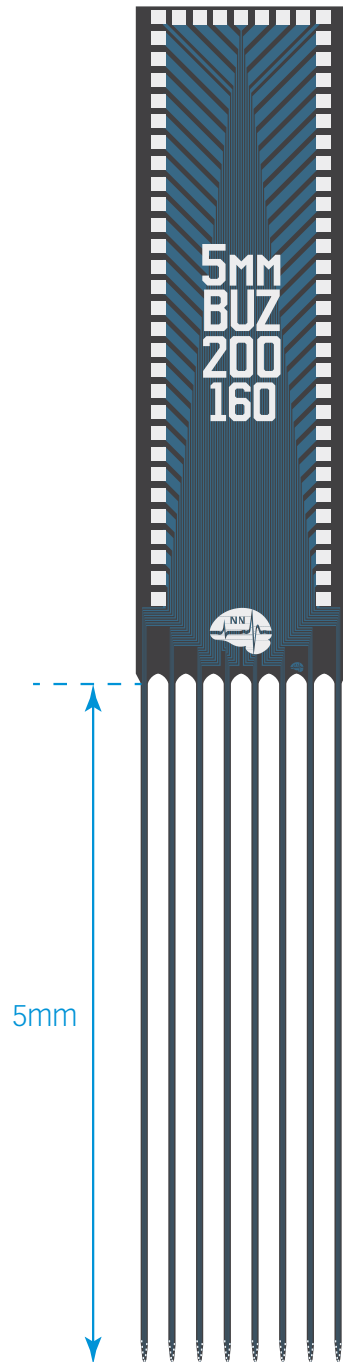
SEARAY
SEACM64

Note: For H-package 64 channel designs: Unless otherwise requested you will receive a probe with up to 2 irregular sites. If you require a perfect probe, please specify when ordering.

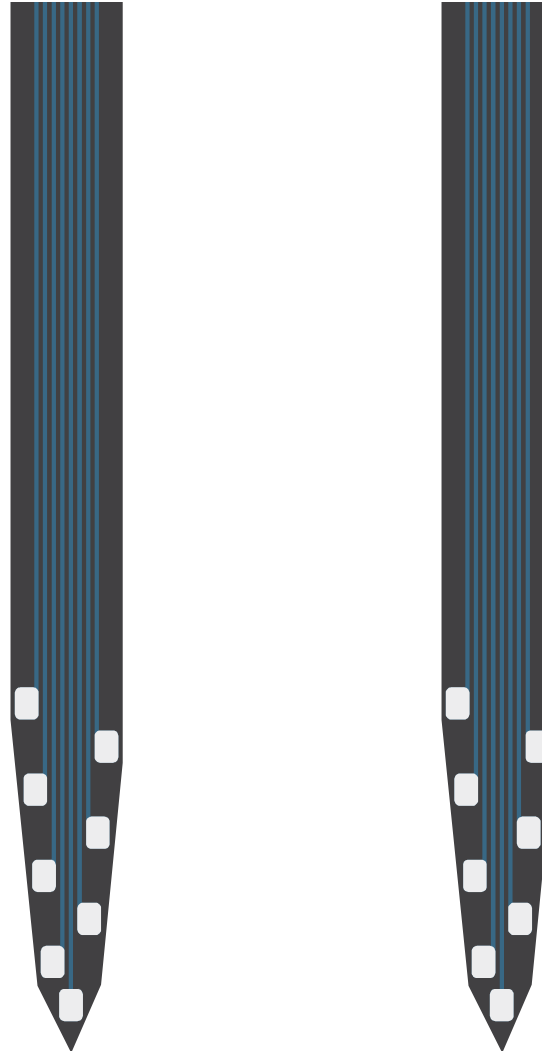
thickness

15 µm

Buzsaki64



TIP DETAIL



available packages

ACUTE

A64

CHRONIC
H64_30mm
H64LP_30mm
HC64_30mm
HZ64_30mm
Z64

OPTOGENETICS

OA64LP
OA64LP_v2
OH64LP (oDrive)
OXA64LP
(Optogenix)

MR-COMPATIBLE

MR_H64_30mm
MR_HC64_30mm

ACTIVUS

AV64
AVI64
AVH64
AVIH64

SEARAY

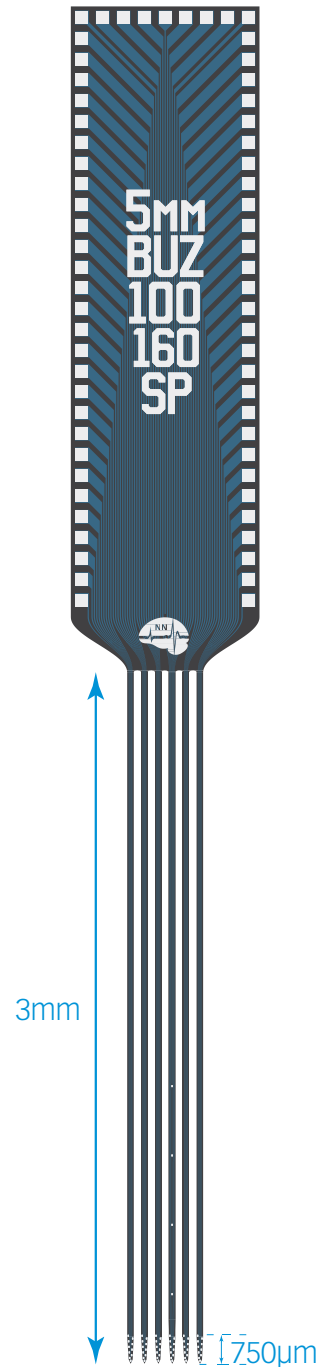
SEACM64

Note: For H-package 64 channel designs: Unless otherwise requested you will receive a probe with up to 2 irregular sites. If you require a perfect probe, please specify when ordering.

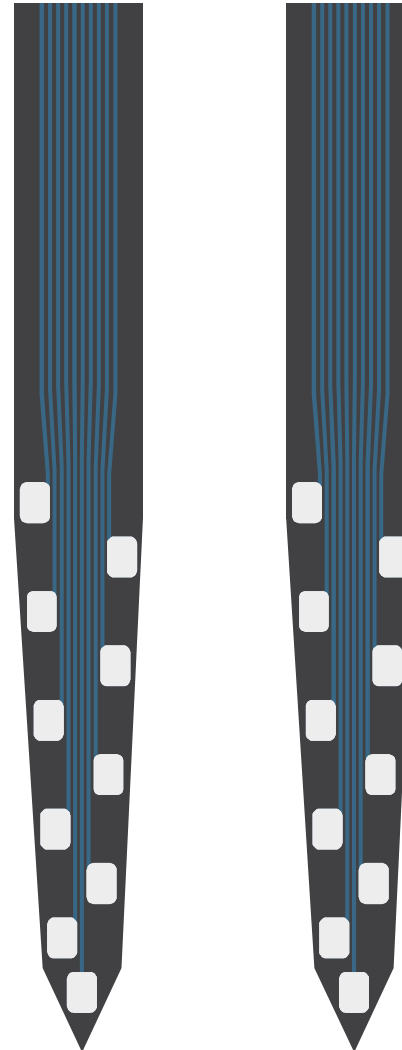
thickness

15 and 50 μ m

Buzsaki64sp



TIP DETAIL



available packages

ACUTE A64

CHRONIC
H64_30mm
H64LP_30mm
HC64_30mm
HZ64_30mm
Z64

OPTOGENETICS
OA64LP
OA64LP_v2
OH64LP (oDrive)
OXA64LP
(Optogenix)

MR-COMPATIBLE
MR_H64_30mm
MR_HC64_30mm

ACTIVUS
AV64
AVI64
AVH64
AVIH64

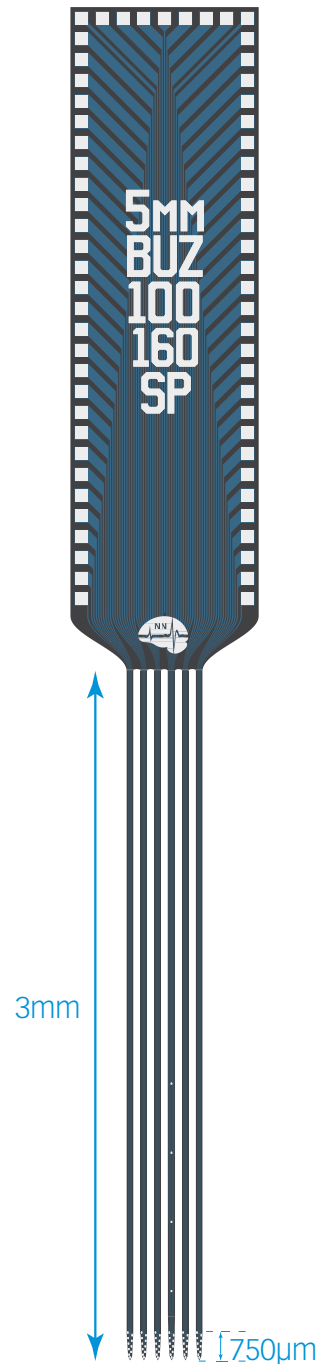
SEARAY
SEACM64

Note: For H-package 64 channel designs: Unless otherwise requested you will receive a probe with up to 2 irregular sites. If you require a perfect probe, please specify when ordering.

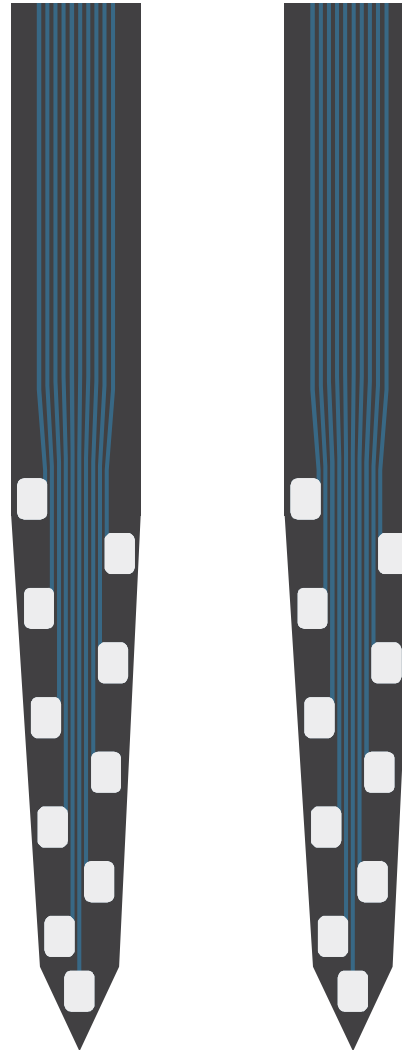
thickness

15 µm

Buz64_sp_100



TIP DETAIL



available packages

ACUTE

A64

CHRONIC

H64_30mm
H64LP_30mm
HC64_30mm
HZ64_30mm
Z64

OPTOGENETICS

OA64LP
OA64LP_v2
OH64LP (oDrive)
OXA64LP (Optogenix)

MR-COMPATIBLE

MR_H64_30mm
MR_HC64_30mm

ACTIVUS

AV64
AVI64
AVH64
AVIH64

SEARAY

SEACM64

Note for H-package 64 channel designs: Unless otherwise requested you will receive a probe with up to 2 irregular sites. If you require a perfect probe, please specify when ordering.

thickness

15 µm

A8x2-tet-7mm-150-200-121

available packages

ACUTE

A64

CHRONIC
H64_30mm
H64LP_30mm
HC64_30mm
HZ64_30mm
Z64

OPTOGENETICS

OA64LP
OA64LP_v2
OH64LP (oDrive)
OXA64LP
(Optogenix)

MR-COMPATIBLE

MR_H64_30mm
MR_HC64_30mm

ACTIVUS

AV64
AVI64
AVH64
AVIH64

SEARAY

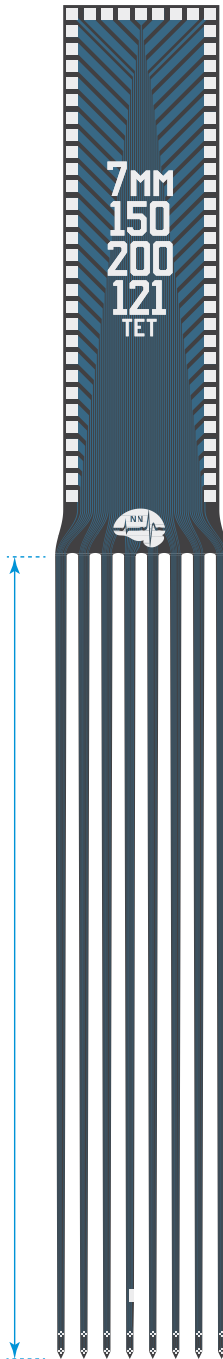
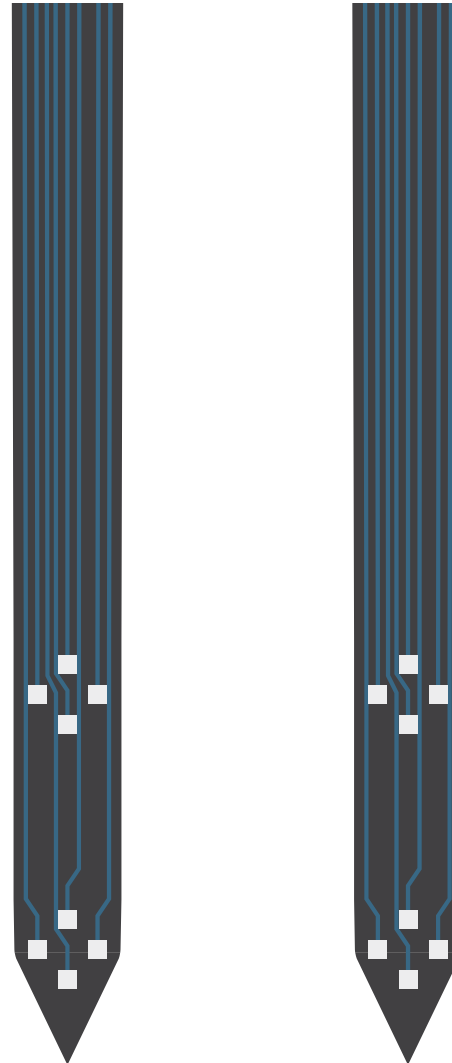
SEACM64

Note: For H-package 64 channel designs: Unless otherwise requested you will receive a probe with up to 2 irregular sites. If you require a perfect probe, please specify when ordering.

thickness

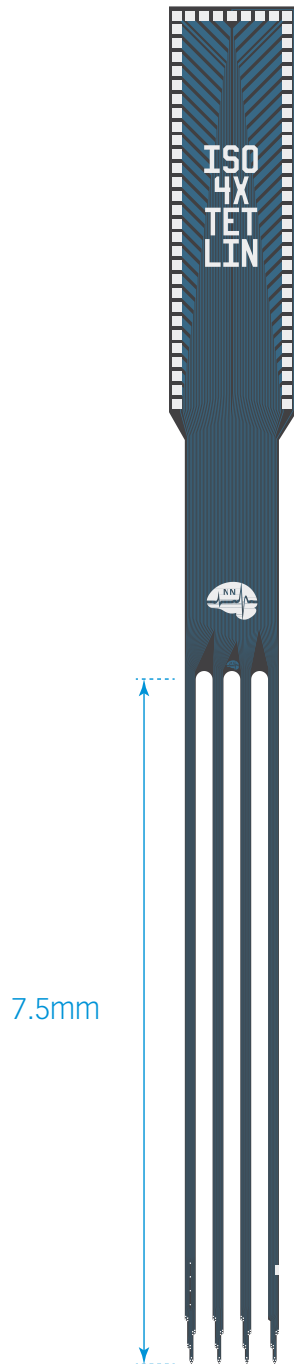
15 μ m

TIP DETAIL

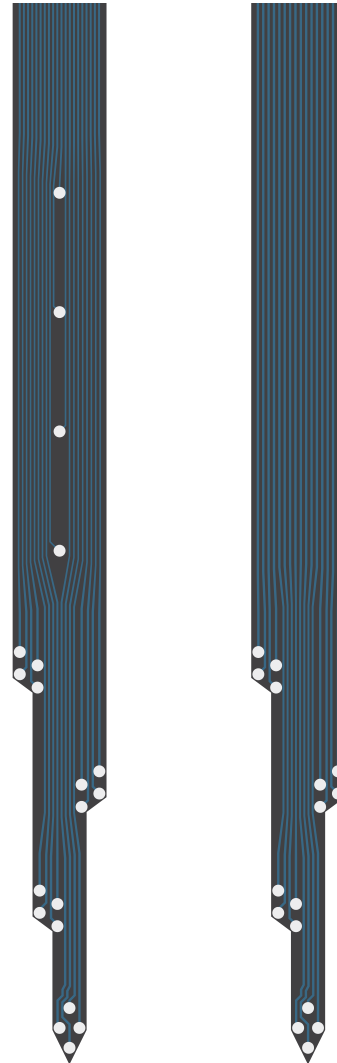


7mm

ISO64-4x-tet-lin-7.5mm



TIP DETAIL



available packages

ACUTE

A64

CHRONIC
H64_30mm
H64LP_30mm
HC64_30mm
HZ64_30mm
Z64

OPTOGENETICS

OA64LP
OA64LP_v2
OH64LP (oDrive)
OXA64LP
(Optogenix)

MR-COMPATIBLE

MR_H64_30mm
MR_HC64_30mm

ACTIVUS

AV64
AVI64
AVH64
AVIH64

SEARAY

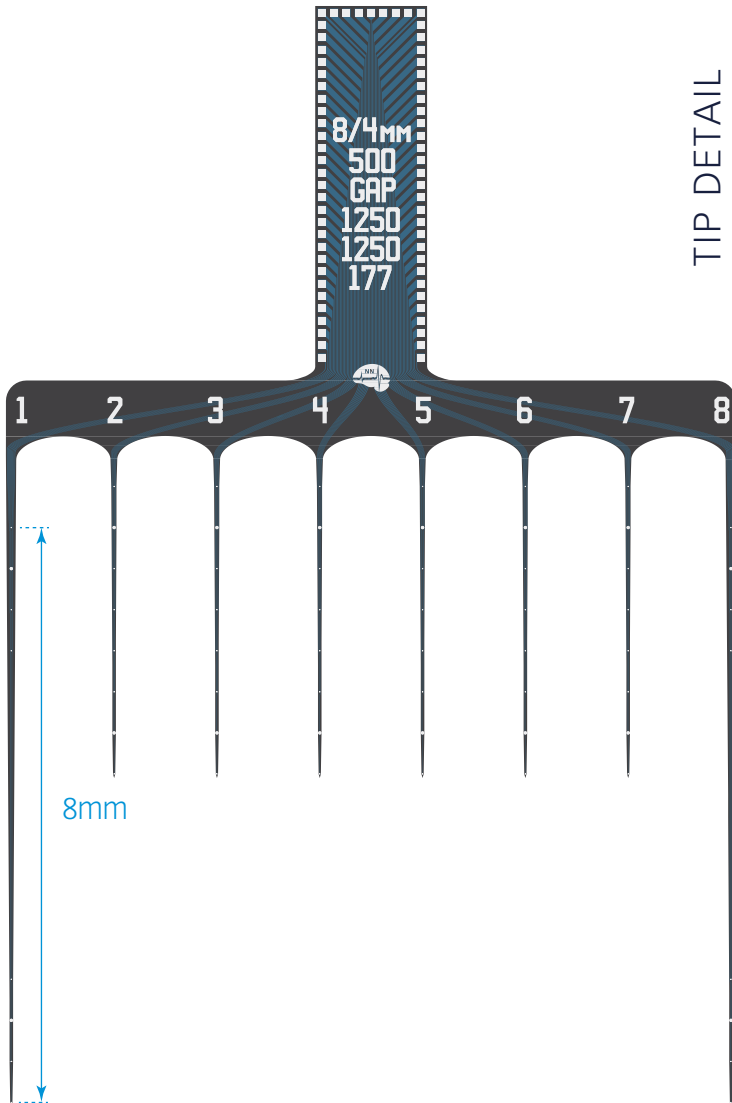
SEACM64

Note: For H-package 64 channel designs: Unless otherwise requested you will receive a probe with up to 2 irregular sites. If you require a perfect probe, please specify when ordering.

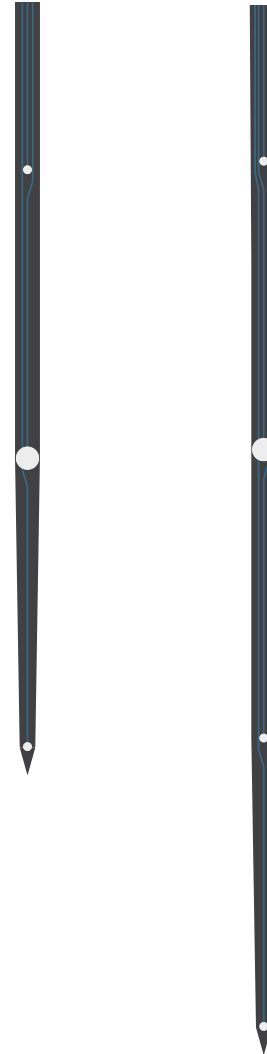
thickness

15 μ m

A8x8/4mm-500-gap-1250-1250/177



TIP DETAIL



available packages

ACUTE A64

CHRONIC
H64_30mm
H64LP_30mm
HC64_30mm
HZ64_30mm
Z64

OPTOGENETICS
OA64LP
OA64LP_v2
OH64LP (oDrive)
OXA64LP
(Optogenix)

MR-COMPATIBLE
MR_H64_30mm
MR_HC64_30mm

ACTIVUS
AV64
AVI64
AVH64
AVIH64

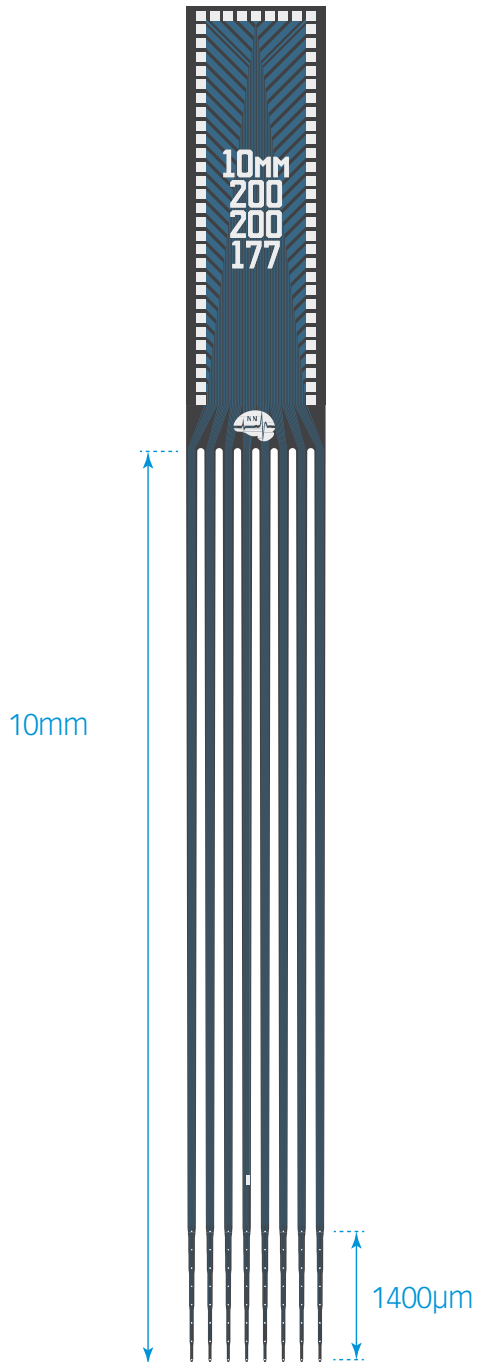
SEARAY
SEACM64

Note: For H-package 64 channel designs: Unless otherwise requested you will receive a probe with up to 2 irregular sites. If you require a perfect probe, please specify when ordering.

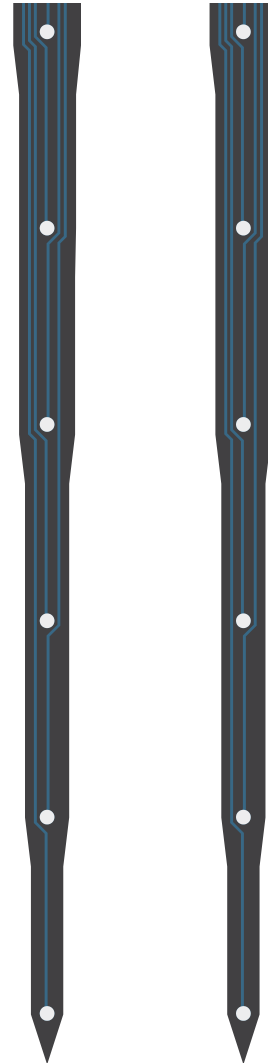
thickness

15 μ m

A8x8-10mm-200-200-177



TIP DETAIL



available packages

ACUTE
A64

CHRONIC
H64_30mm
H64LP_30mm
HC64_30mm
HZ64_30mm
Z64

OPTOGENETICS
OA64LP
OA64LP_v2
OH64LP (oDrive)
OXA64LP
(Optogenix)

MR-COMPATIBLE
MR_H64_30mm
MR_HC64_30mm

ACTIVUS
AV64
AVI64
AVH64
AVIH64

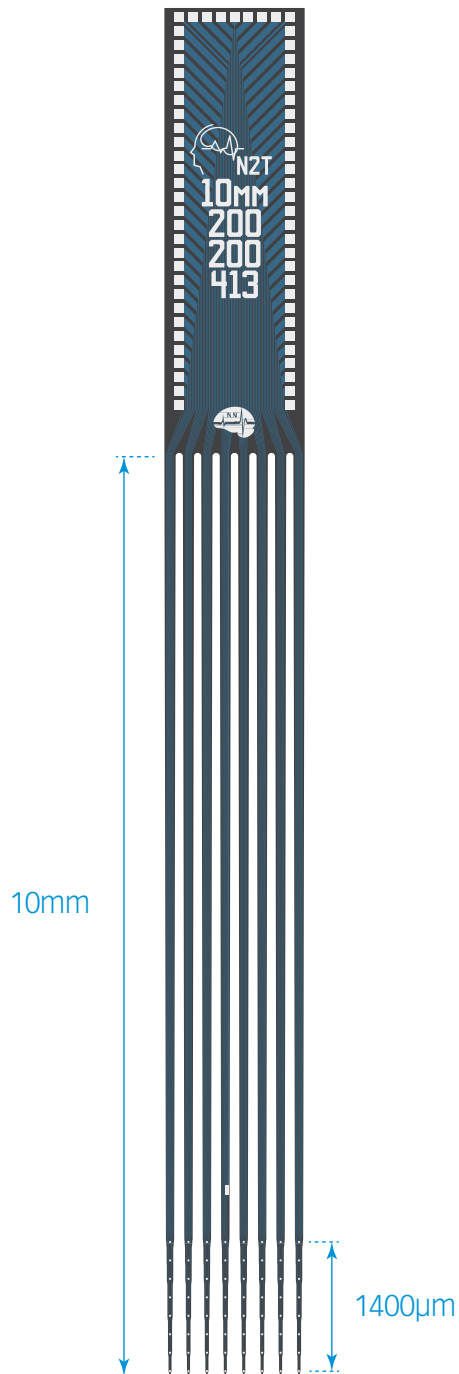
SEARAY
SEACM64

Note: For H-package 64 channel designs: Unless otherwise requested you will receive a probe with up to 2 irregular sites. If you require a perfect probe, please specify when ordering.

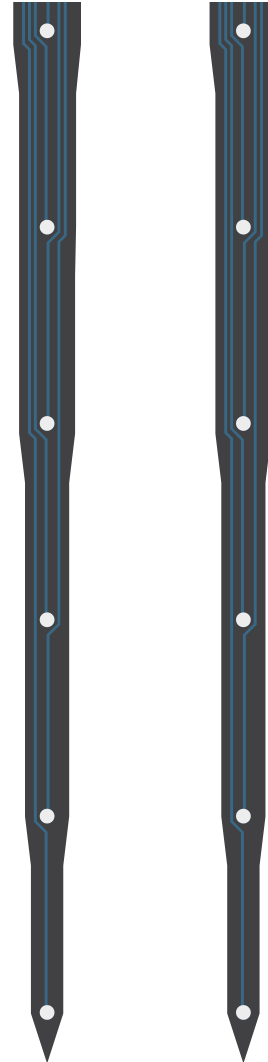
thickness

50 µm

A8x8-10mm-200-200-413



TIP DETAIL



available packages

ACUTE
A64

CHRONIC
H64_30mm
H64LP_30mm
HC64_30mm
HZ64_30mm
Z64

OPTOGENETICS
OA64LP
OA64LP_v2
OH64LP (oDrive)
OXA64LP
(Optogenix)

MR-COMPATIBLE
MR_H64_30mm
MR_HC64_30mm

ACTIVUS
AV64
AVI64
AVH64
AVIH64

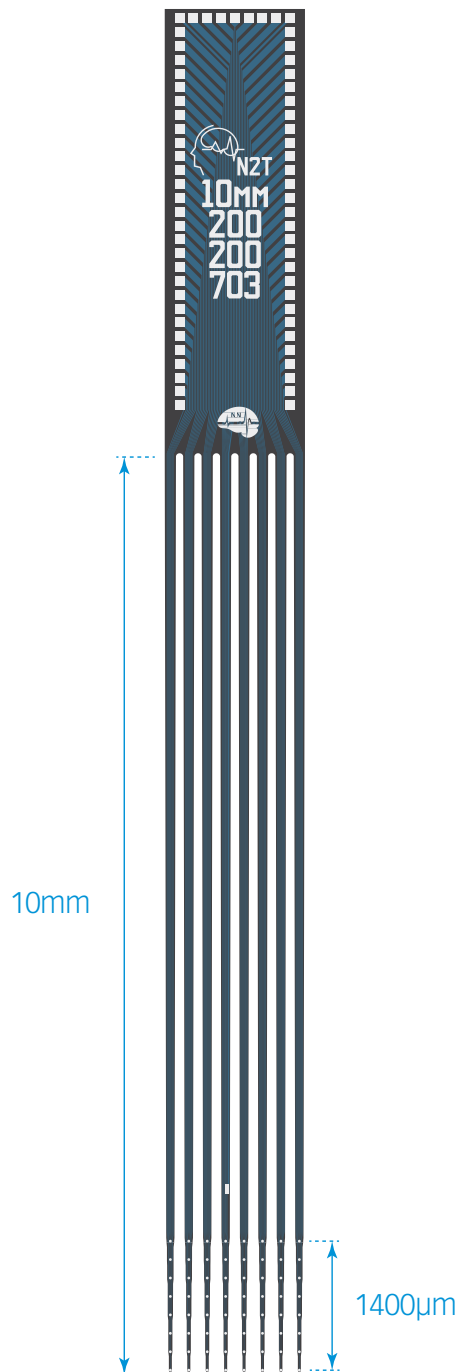
SEARAY
SEACM64

Note: For H-package 64 channel designs: Unless otherwise requested you will receive a probe with up to 2 irregular sites. If you require a perfect probe, please specify when ordering.

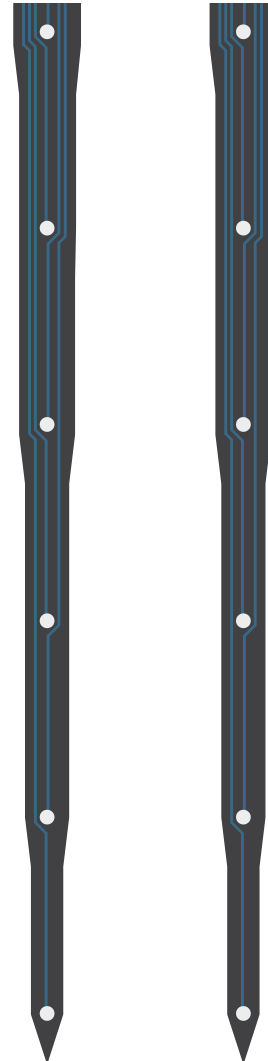
thickness

50 µm

A8x8-10mm-200-200-703



TIP DETAIL



available packages

ACUTE
A64

CHRONIC
H64_30mm
H64LP_30mm
HC64_30mm
HZ64_30mm
Z64

OPTOGENETICS
OA64LP
OA64LP_v2
OH64LP (oDrive)
OXA64LP
(Optogenix)

MR-COMPATIBLE
MR_H64_30mm
MR_HC64_30mm

ACTIVUS
AV64
AVI64
AVH64
AVIH64

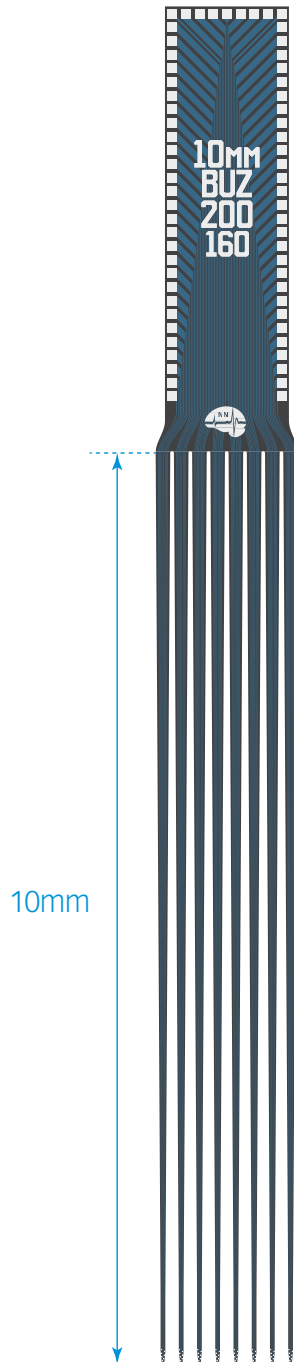
SEARAY
SEACM64

Note: For H-package 64 channel designs: Unless otherwise requested you will receive a probe with up to 2 irregular sites. If you require a perfect probe, please specify when ordering.

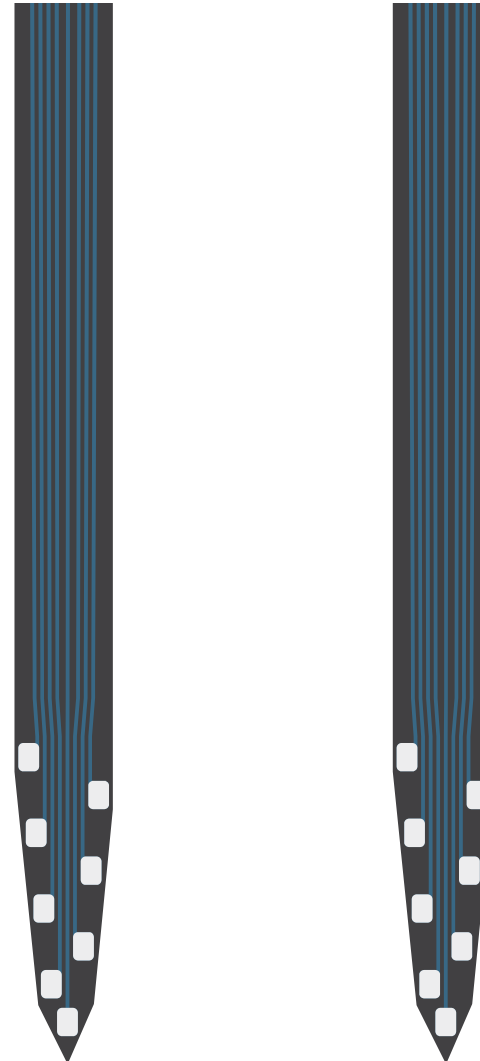
thickness

50 µm

Buzsaki64L



TIP DETAIL



available packages

ACUTE

A64

CHRONIC
H64_30mm
H64LP_30mm
HC64_30mm
HZ64_30mm
Z64

OPTOGENETICS

OA64LP
OA64LP_v2
OH64LP (oDrive)
OXA64LP
(Optogenix)

MR-COMPATIBLE

MR_H64_30mm
MR_HC64_30mm

ACTIVUS

AV64
AVI64
AVH64
AVIH64

SEARAY

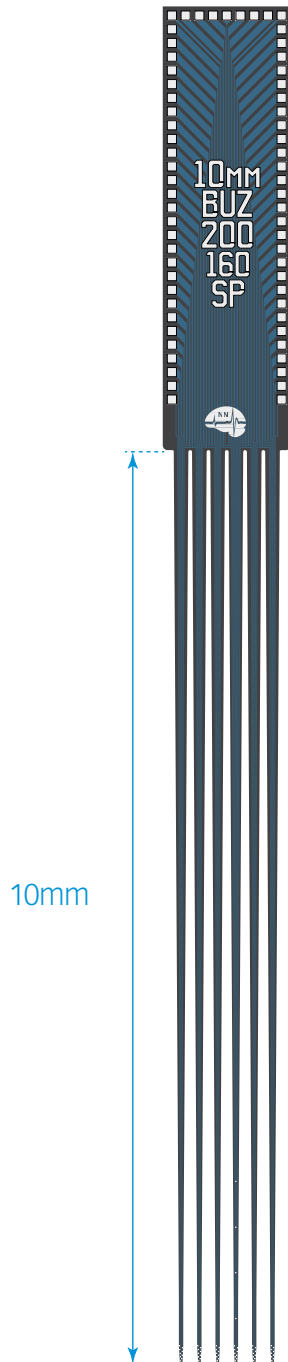
SEACM64

Note: For H-package 64 channel designs: Unless otherwise requested you will receive a probe with up to 2 irregular sites. If you require a perfect probe, please specify when ordering.

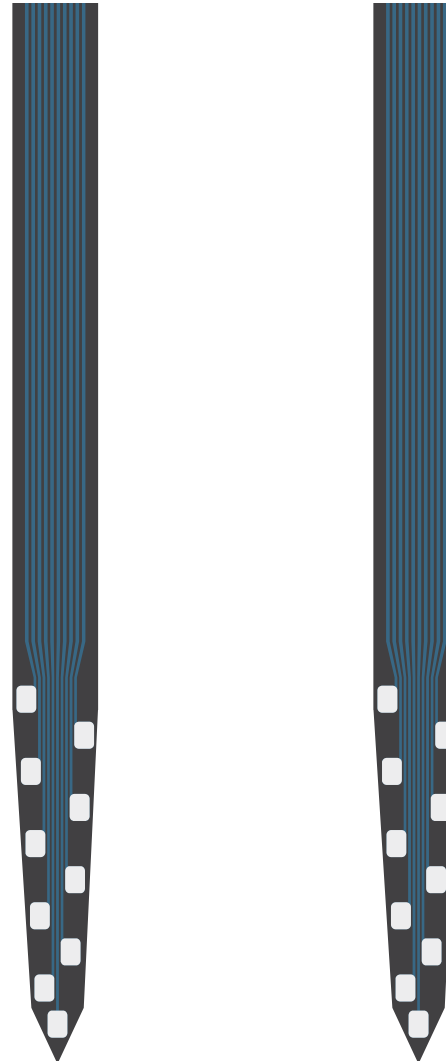
thickness

15 and 50 μm

Buzsaki64spL



TIP DETAIL



available packages

ACUTE
A64

CHRONIC
H64_30mm
H64LP_30mm
HC64_30mm
HZ64_30mm
Z64

OPTOGENETICS
OA64LP
OA64LP_v2
OH64LP (oDrive)
OXA64LP
(Optogenix)

MR-COMPATIBLE
MR_H64_30mm
MR_HC64_30mm

ACTIVUS
AV64
AVI64
AVH64
AVIH64

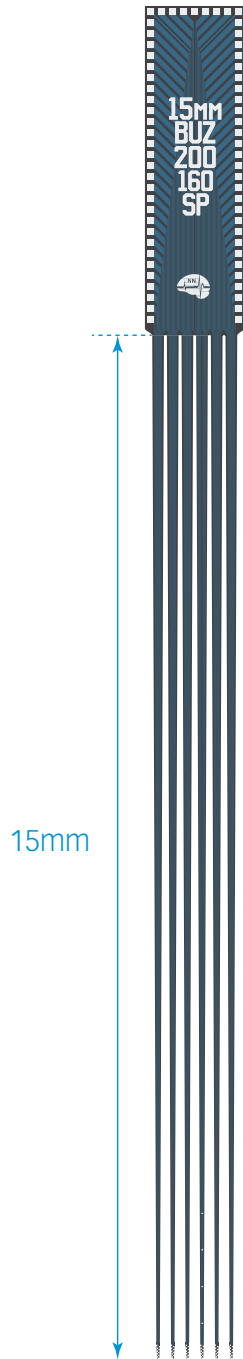
SEARAY
SEACM64

Note: For H-package 64 channel designs: Unless otherwise requested you will receive a probe with up to 2 irregular sites. If you require a perfect probe, please specify when ordering.

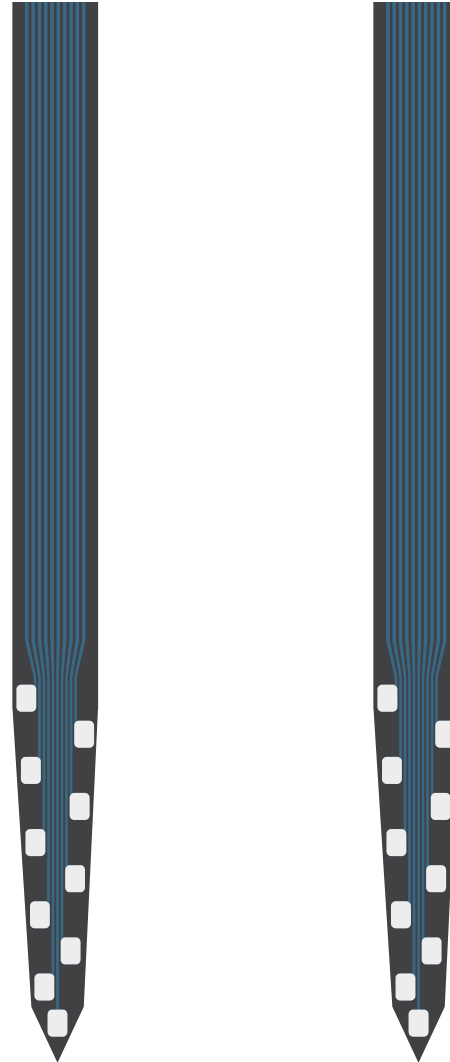
thickness

50 μm

Buzsaki64sp (15mm)



TIP DETAIL



available packages

ACUTE

A64

CHRONIC
H64_30mm
H64LP_30mm
HC64_30mm
HZ64_30mm
Z64

OPTOGENETICS

OA64LP
OA64LP_v2
OH64LP (oDrive)
OXA64LP
(Optogenix)

MR-COMPATIBLE

MR_H64_30mm
MR_HC64_30mm

ACTIVUS

AV64
AVI64
AVH64
AVIH64

SEARAY

SEACM64

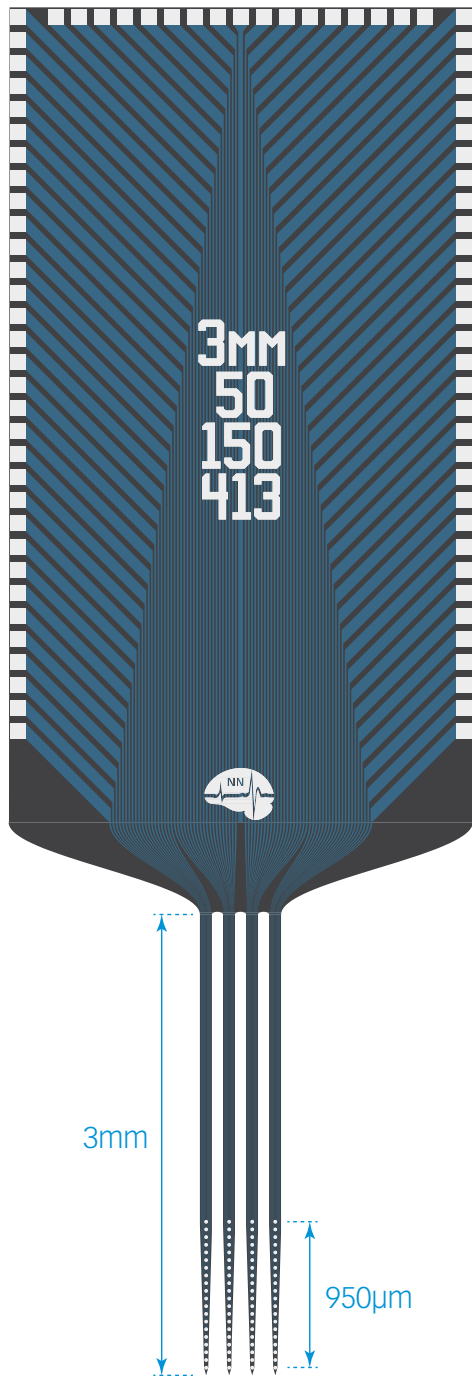
Note: For H-package 64 channel designs: Unless otherwise requested you will receive a probe with up to 2 irregular sites. If you require a perfect probe, please specify when ordering.

thickness

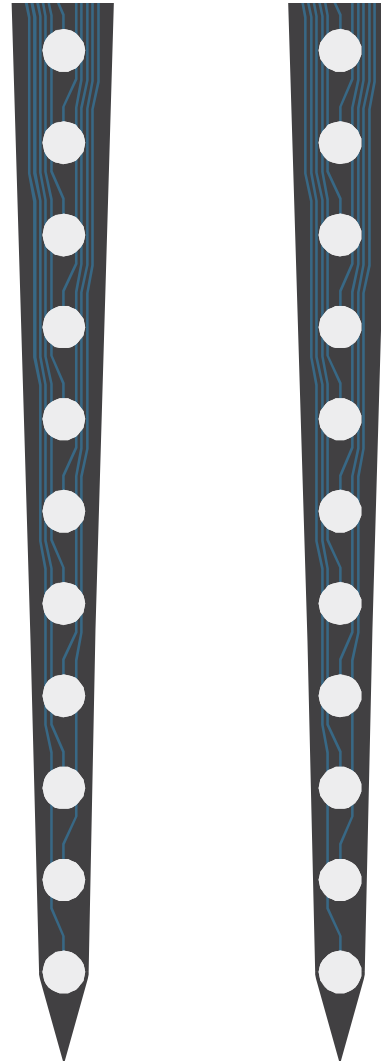
15 μ m

4 128- Channel Probes

A4x20-3mm-50-150-413



TIP DETAIL



available packages

ACUTE
AC128

CHRONIC
H128LP

ACTIVUS
AV128
AVH128
AVI128
AVIH128

SMART
S128
H128

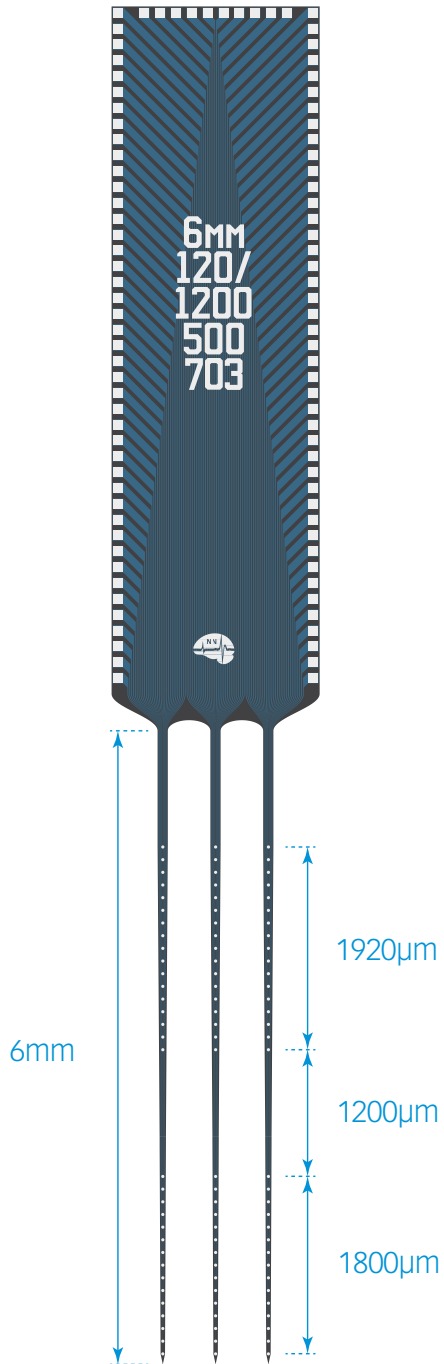
INTAN
I128
IH128

Note: Given the high channel count of this design, there may be up to 15% irregular sites on the assembled device.

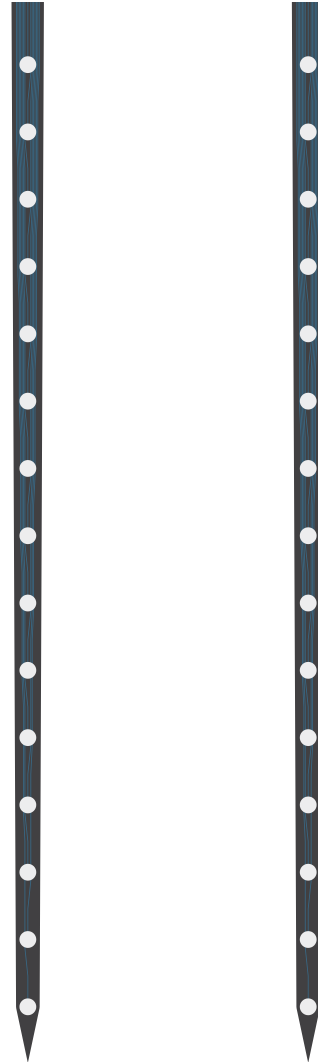
thickness

50 µm

A3x32-6mm-120-1200-500-703



TIP DETAIL



available packages

ACUTE
AC128

CHRONIC
H128LP

ACTIVUS
AV128
AVH128
AVI128
AVIH128

SMART
S128
H128

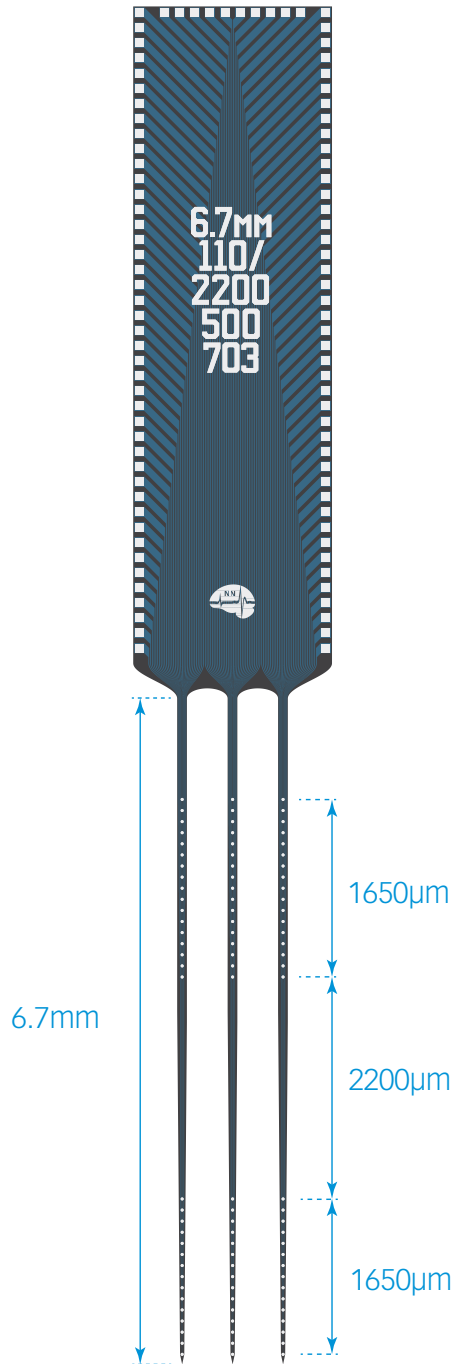
INTAN
I128
IH128

Note: Given the high channel count of this design, there may be up to 15% irregular sites on the assembled device.

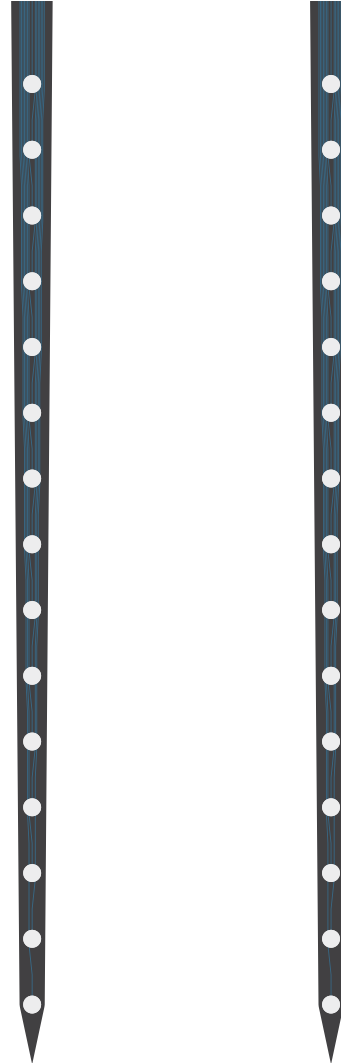
thickness

50 µm

A3X32-6.7mm-110/220-500-703



TIP DETAIL



available packages

ACUTE
AC128

CHRONIC
H128LP

ACTIVUS
AV128
AVH128
AVI128
AVIH128

SMART
S128
H128

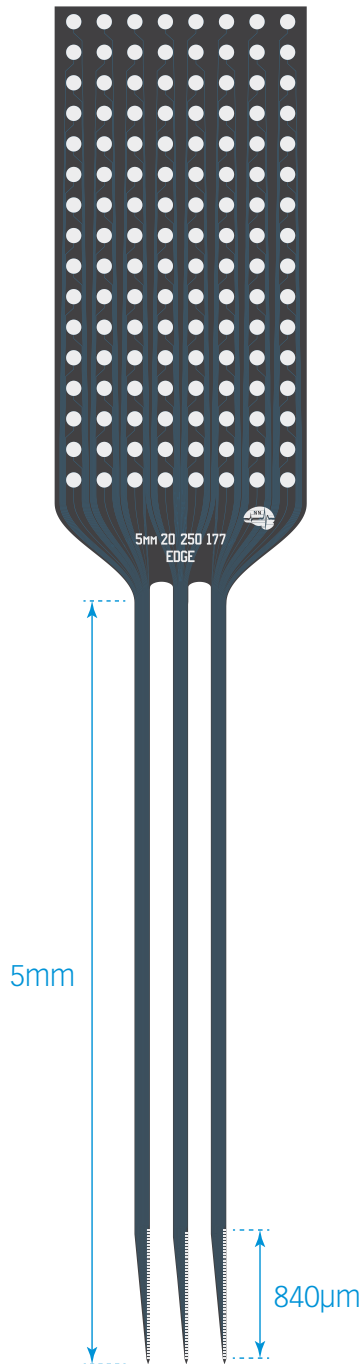
INTAN
I128
IH128

Note: Given the high channel count of this design, there may be up to 15% irregular sites on the assembled device.

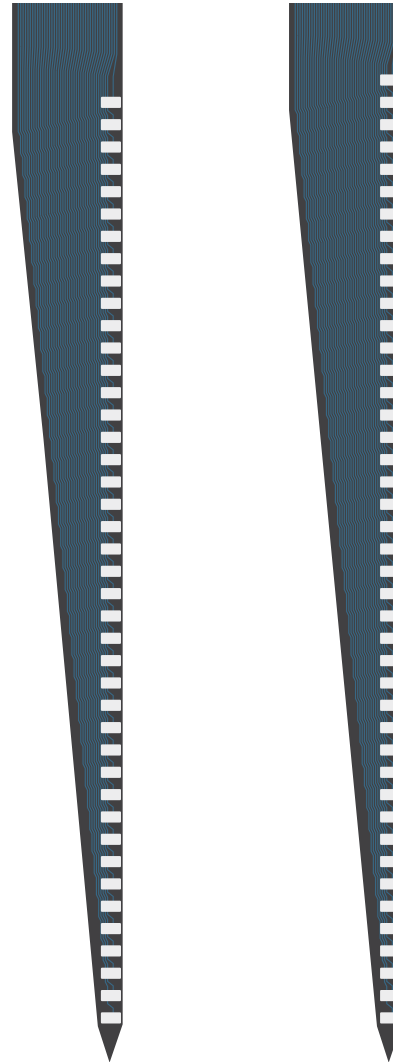
thickness

50 μ m

A3x43/42/43-Edge-5mm- 20-250-177



TIP DETAIL



available
packages

ACUTE
AC128

CHRONIC
H128LP

ACTIVUS
AV128
AVH128
AVI128
AVIH128

SMART
S128
H128

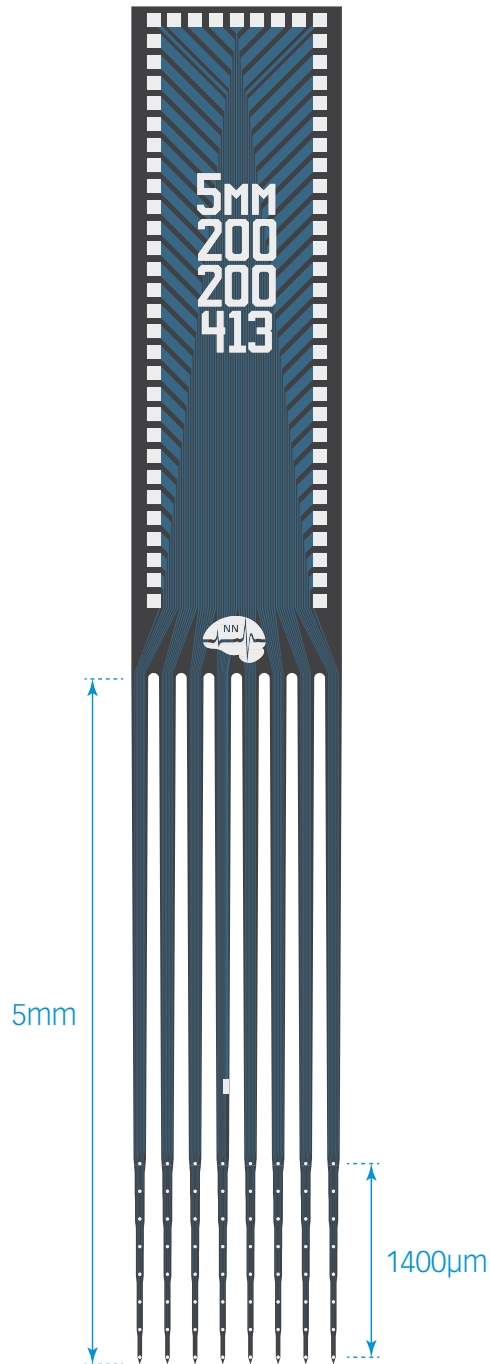
INTAN
I128
IH128

Note: Given the high channel count of this design, there may be up to 15% irregular sites on the assembled device.

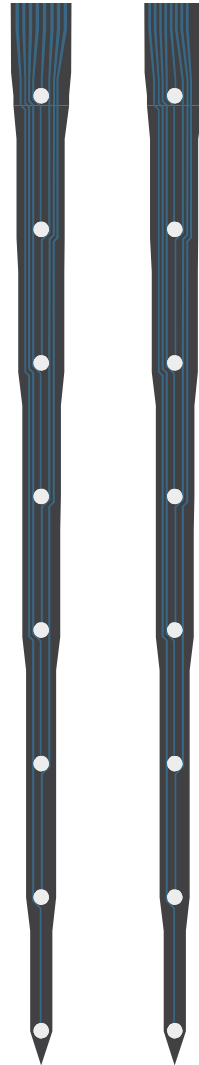
thickness

15 µm

A4x32-5mm-100-400-1250



TIP DETAIL



available packages

ACUTE
AC128

CHRONIC
H128LP

ACTIVUS
AV128
AVH128
AVI128
AVIH128

SMART
S128
H128

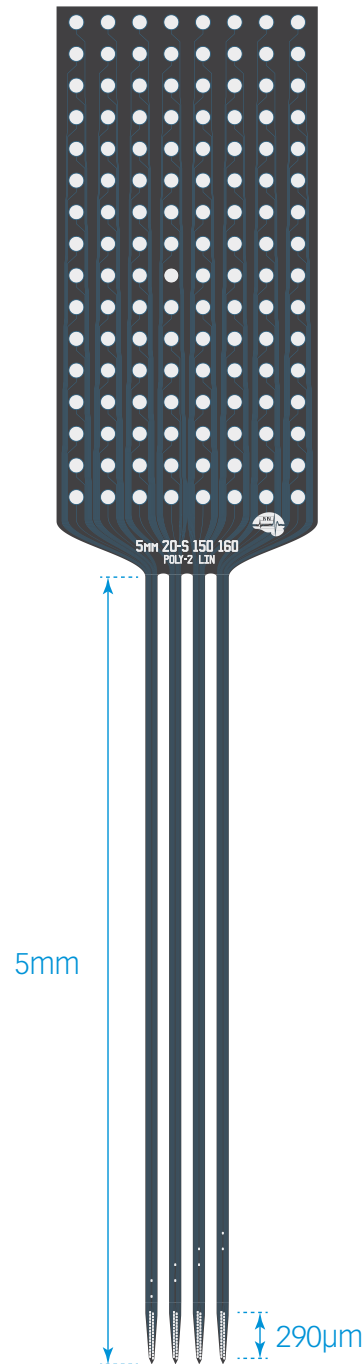
INTAN
I128
IH128

Note: Given the high channel count of this design, there may be up to 15% irregular sites on the assembled device.

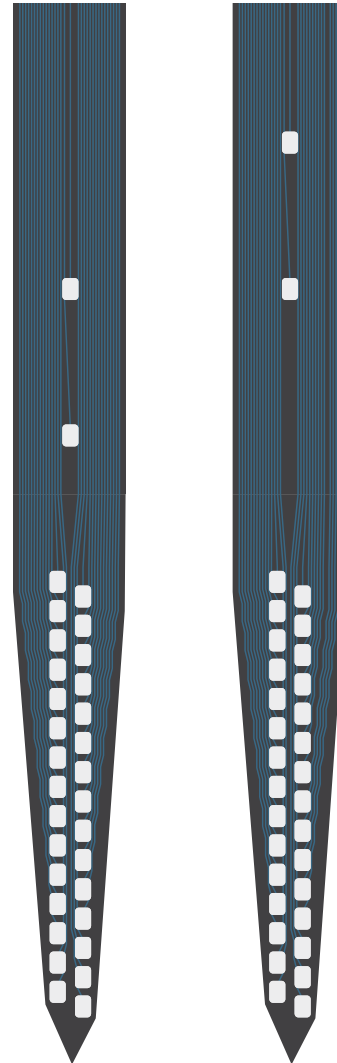
thickness

15 µm

A4x32- Poly2-5mm-20s-150-160



TIP DETAIL



available
packages

ACUTE
AC128

CHRONIC
H128LP

ACTIVUS
AV128
AVH128
AVI128
AVIH128

SMART
S128
H128

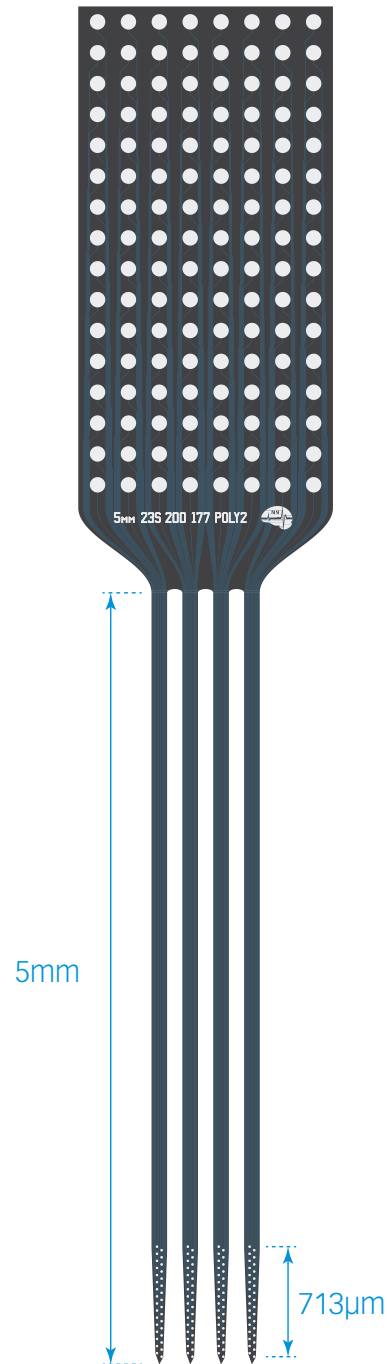
INTAN
I128
IH128

Note: Given the high channel count of this design, there may be up to 15% irregular sites on the assembled device.

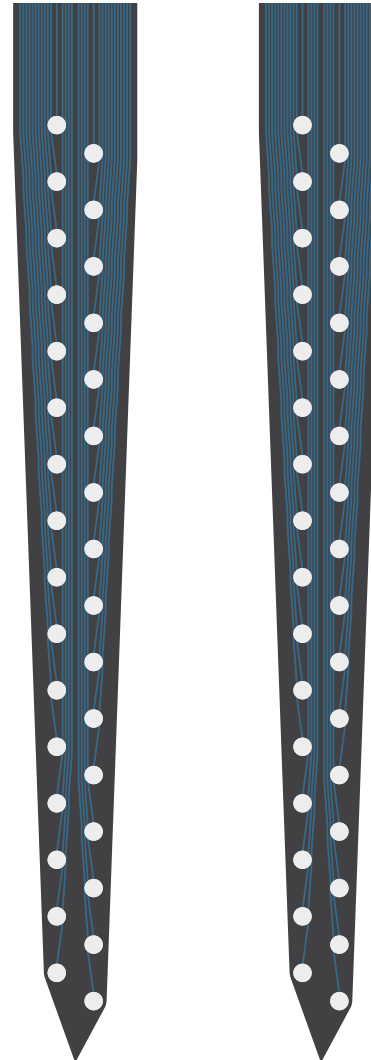
thickness

15 µm

A4x32- Poly2-5mm-23s-200-177



TIP DETAIL



available
packages

ACUTE
AC128

CHRONIC
H128LP

ACTIVUS
AV128
AVH128
AVI128
AVIH128

SMART
S128
H128

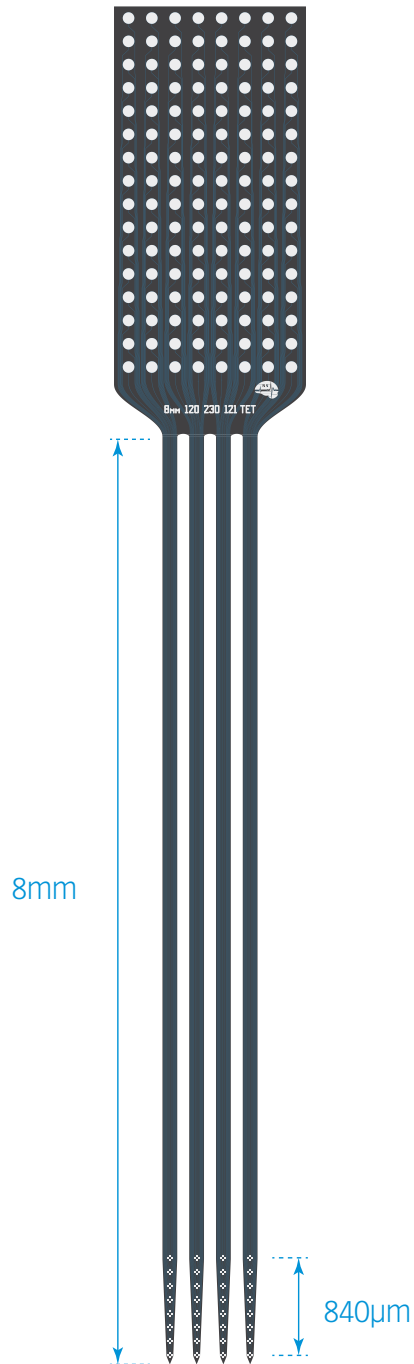
INTAN
I128
IH128

Note: Given the high channel count of this design, there may be up to 15% irregular sites on the assembled device.

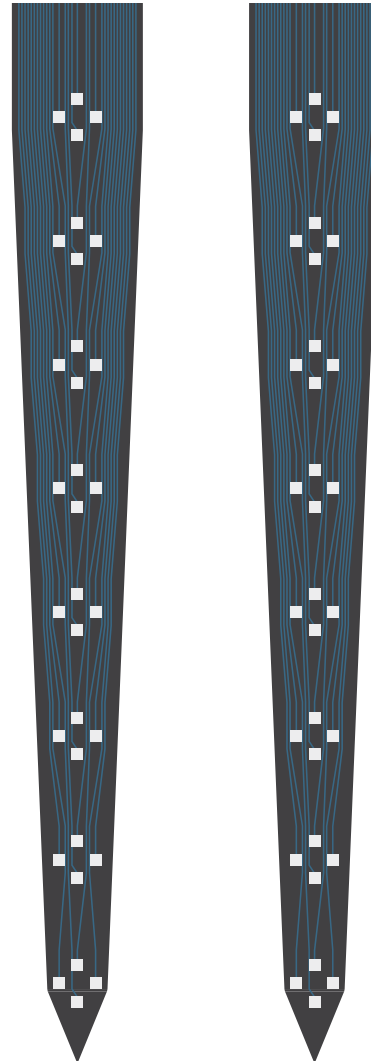
thickness

15 µm

A4x8-tet-8mm-120-230-121



TIP DETAIL



available packages

ACUTE
AC128

CHRONIC
H128LP

ACTIVUS
AV128
AVH128
AVI128
AVIH128

SMART
S128
H128

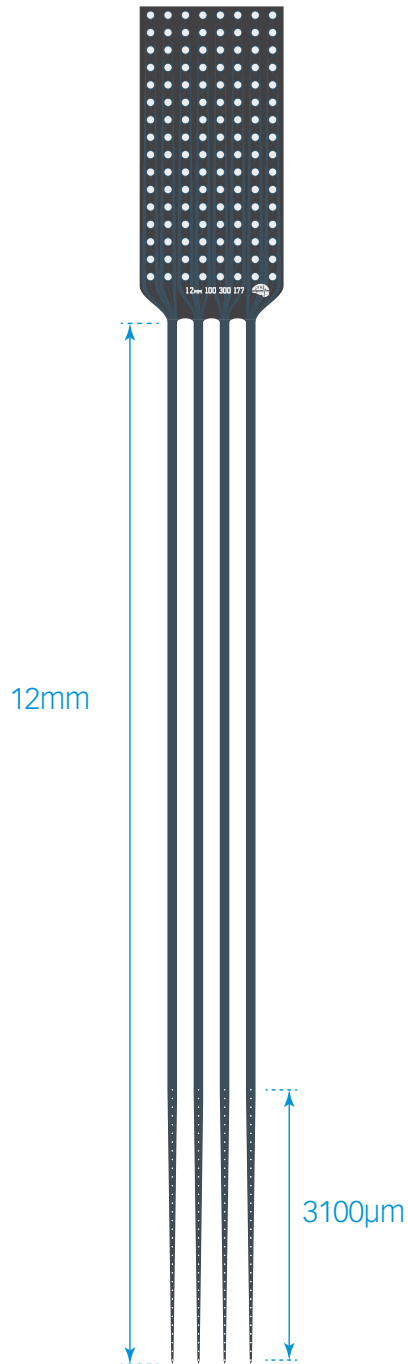
INTAN
I128
IH128

Note: Given the high channel count of this design, there may be up to 15% irregular sites on the assembled device.

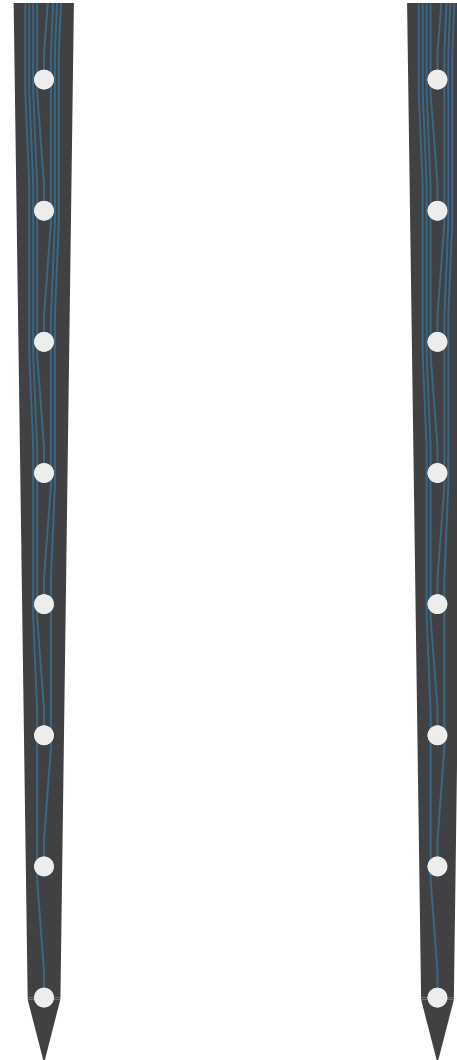
thickness

15 µm

A4x32-12mm-100-300-177



TIP DETAIL



available packages

ACUTE
AC128

CHRONIC
H128LP

ACTIVUS
AV128
AVH128
AVI128
AVIH128

SMART
S128
H128

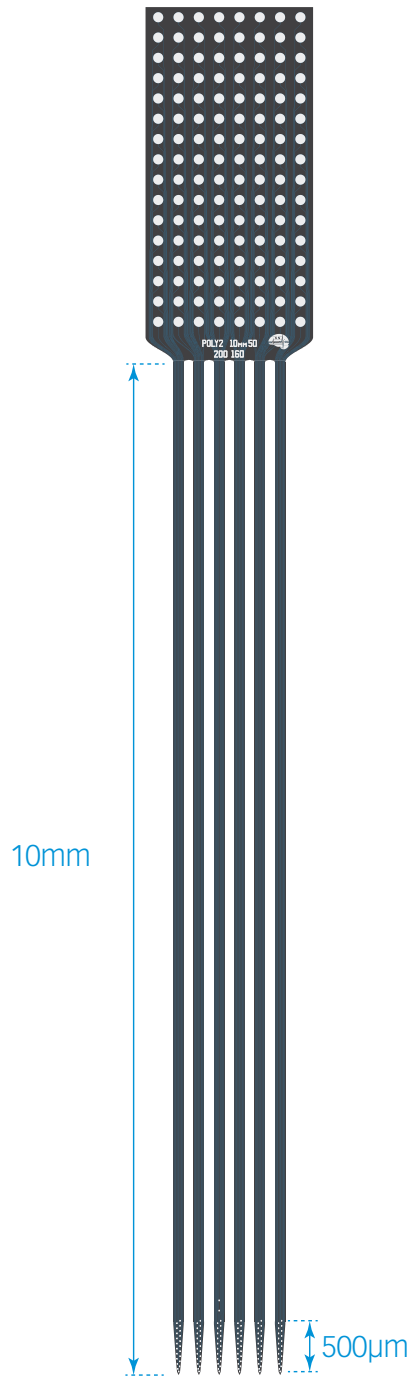
INTAN
I128
IH128

Note: Given the high channel count of this design, there may be up to 15% irregular sites on the assembled device.

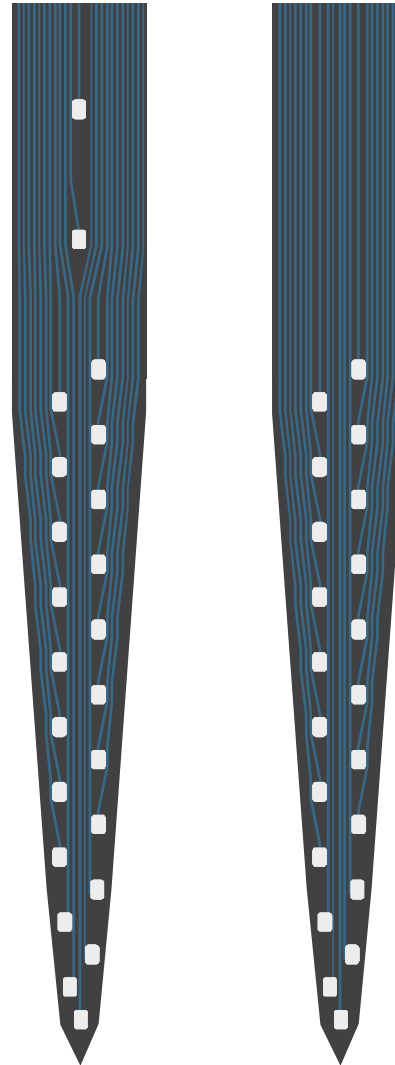
thickness

50 µm

A6X21- Poly2-10mm-50-200-160



TIP DETAIL



available
packages

ACUTE
AC128

CHRONIC
H128LP

ACTIVUS
AV128
AVH128
AVI128
AVIH128

SMART
S128
H128

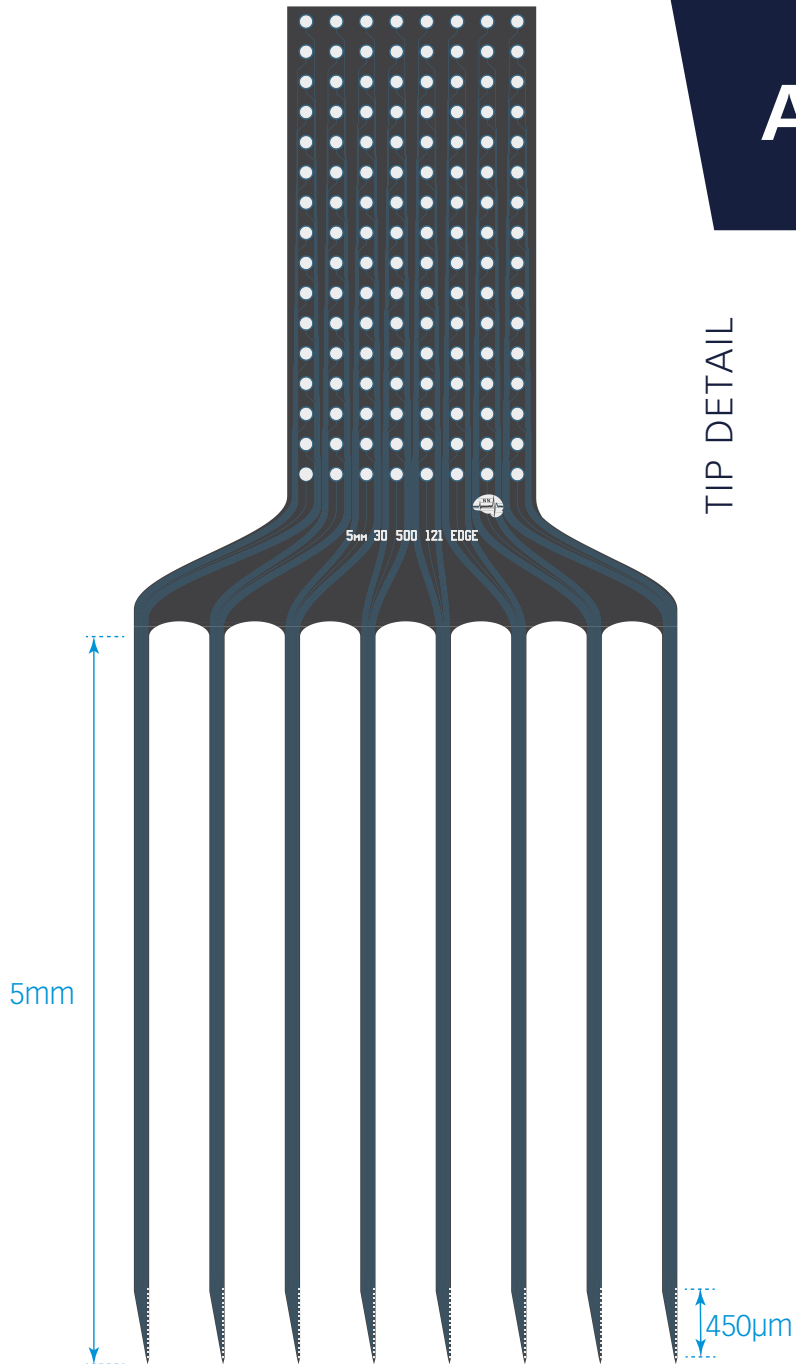
INTAN
I128
IH128

Note: Given the high channel count of this design, there may be up to 15% irregular sites on the assembled device.

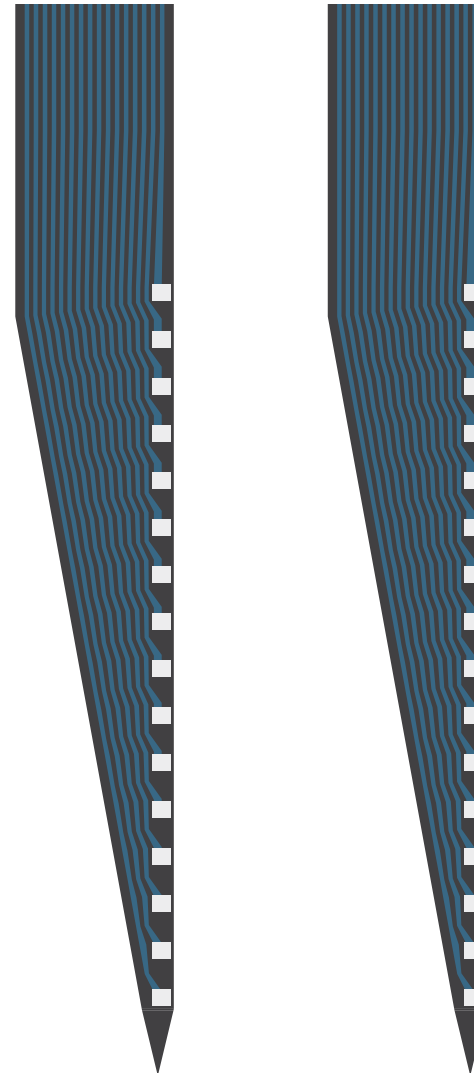
thickness

15 µm
50 µm

A8x16-Edge-5mm-30-500-121



TIP DETAIL



available packages

ACUTE
AC128

CHRONIC
H128LP

ACTIVUS
AV128
AVH128
AVI128
AVIH128

SMART
S128
H128

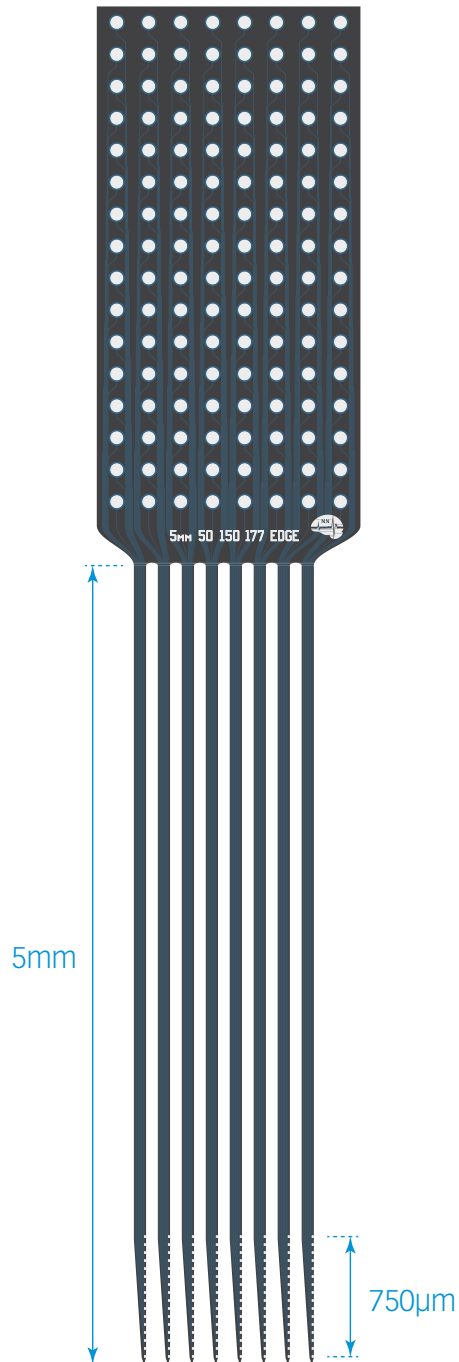
INTAN
I128
IH128

Note: Given the high channel count of this design, there may be up to 15% irregular sites on the assembled device.

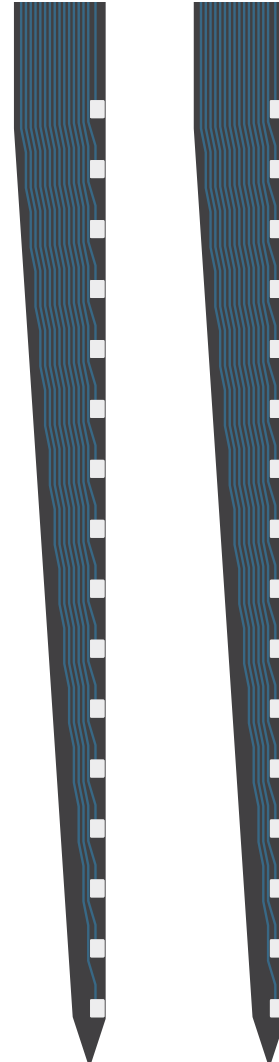
thickness

15 µm

A8x16-Edge-5mm-50-150-177



TIP DETAIL



available packages

ACUTE
AC128

CHRONIC
H128LP

ACTIVUS
AV128
AVH128
AVI128
AVIH128

SMART
S128
H128

INTAN
I128
IH128

Note: Given the high channel count of this design, there may be up to 15% irregular sites on the assembled device.

thickness

15 µm

A8x16- Edge-5mm-100-200-177

available
packages

ACUTE
AC128

CHRONIC
H128LP

ACTIVUS
AV128
AVH128
AVI128
AVIH128

SMART
S128
H128

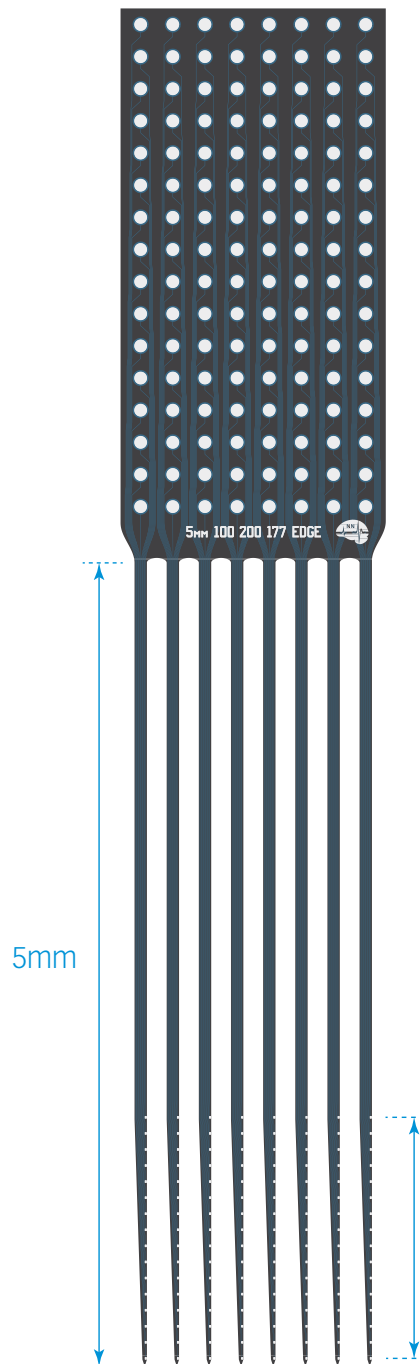
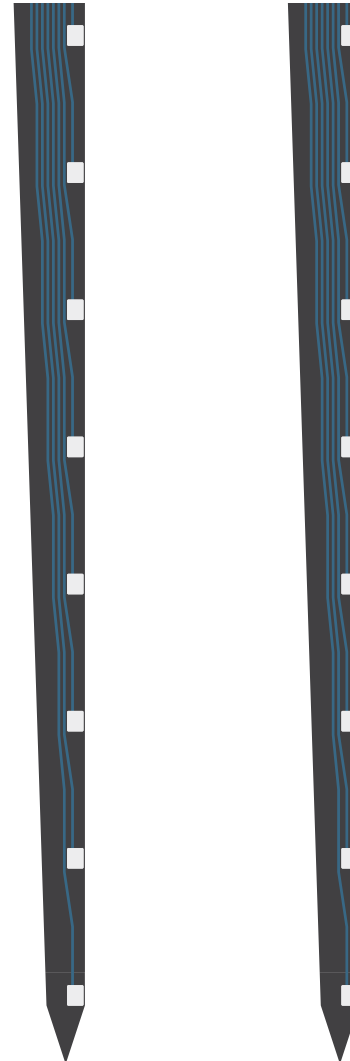
INTAN
I128
IH128

Note: Given the high channel count of this design, there may be up to 15% irregular sites on the assembled device.

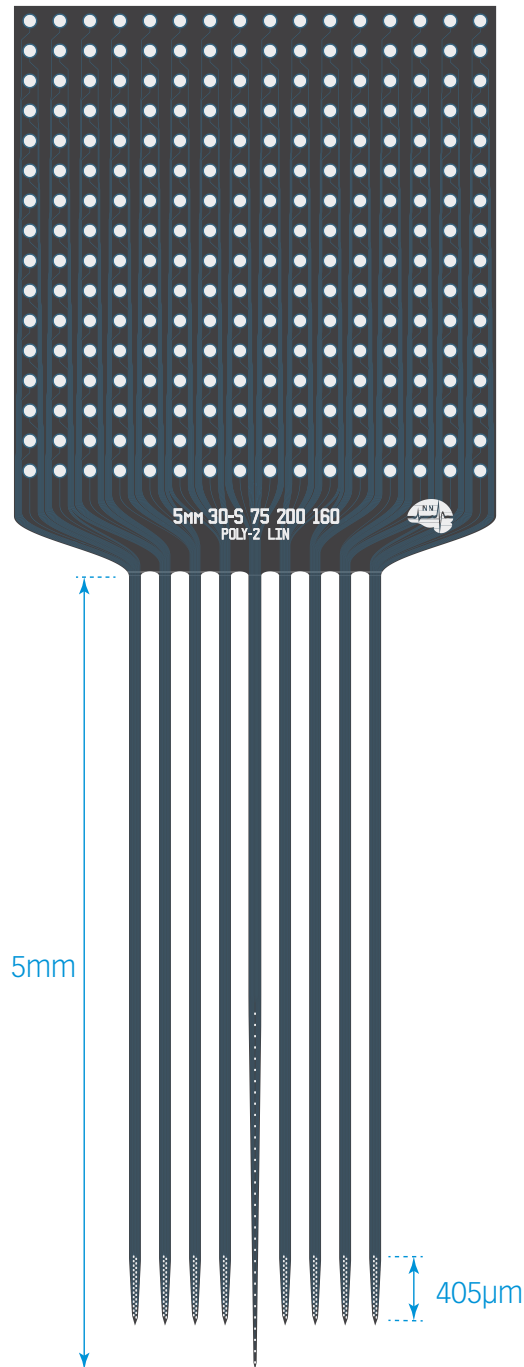
thickness

15 μm

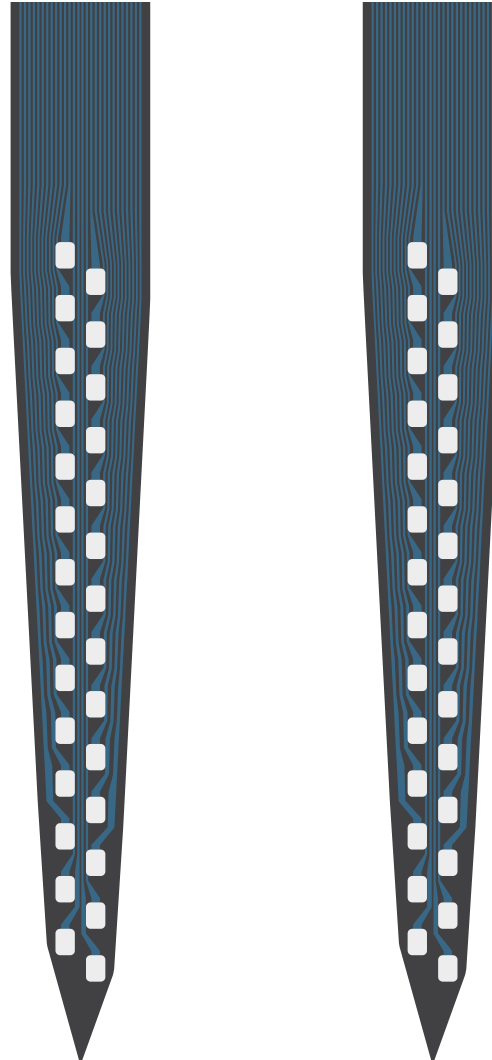
TIP DETAIL



A9X28-Poly2- lin-5mm-30s-75-200-160



TIP DETAIL



available
packages

ACUTE
AC128

CHRONIC
H128LP

ACTIVUS
AV128
AVH128
AVI128
AVIH128

SMART
S128
H128

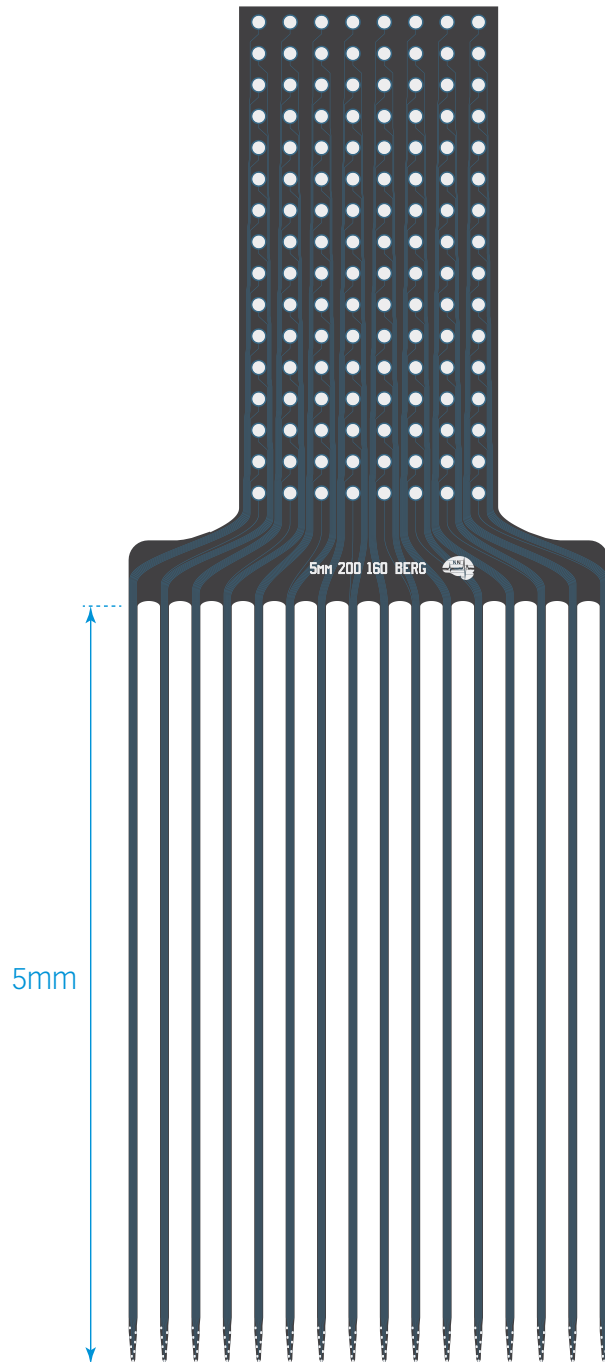
INTAN
I128
IH128

Note: Given the high channel count of this design, there may be up to 15% irregular sites on the assembled device.

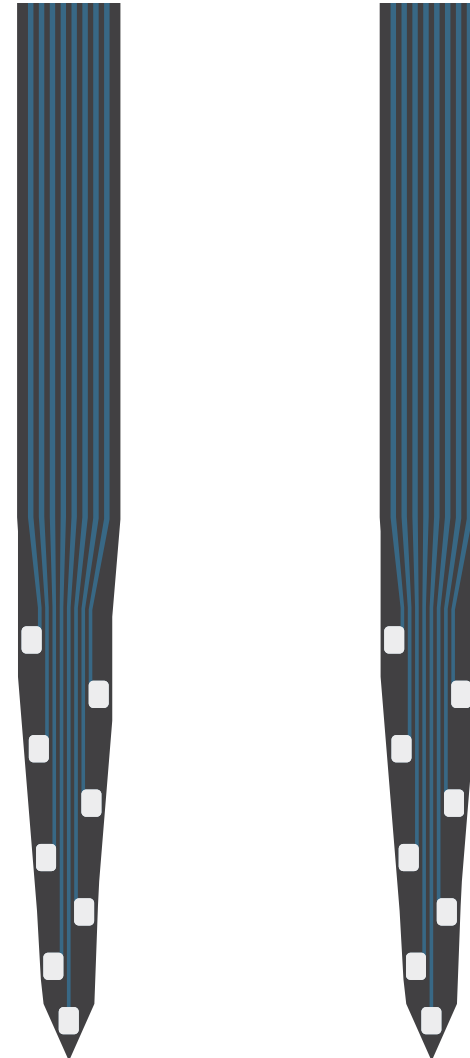
thickness

15 µm

A16x8-5mm-berg-200-160



TIP DETAIL



available packages

ACUTE
AC128

CHRONIC
H128LP

ACTIVUS
AV128
AVH128
AVI128
AVIH128

SMART
S128
H128

INTAN
I128
IH128

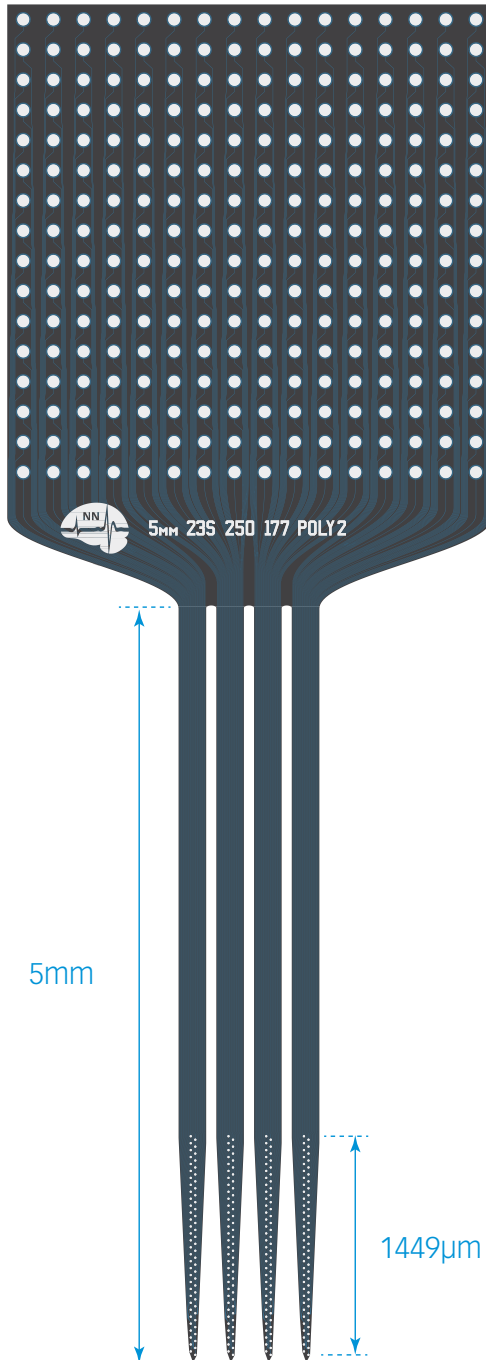
Note: Given the high channel count of this design, there may be up to 15% irregular sites on the assembled device.

thickness

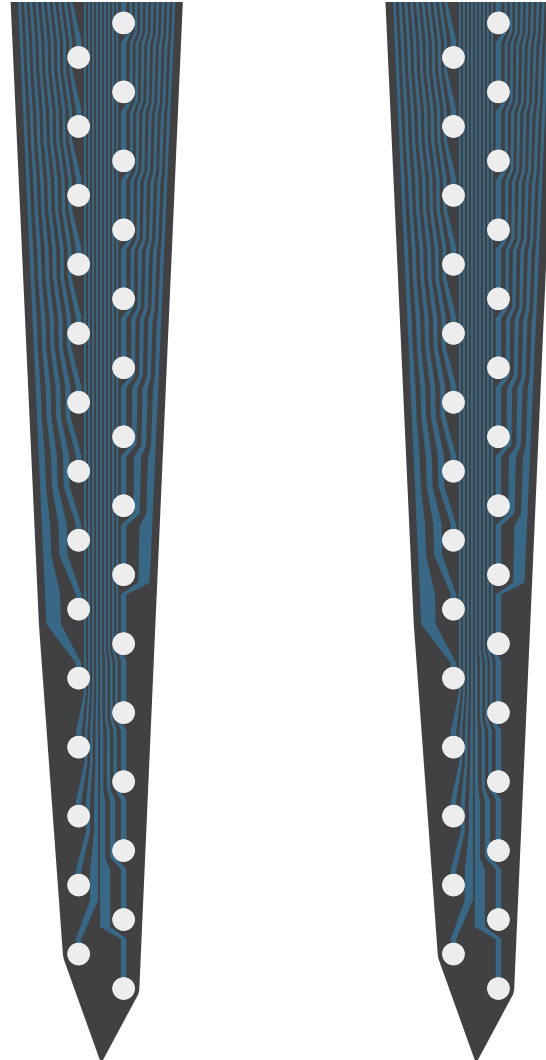
15 μm

256- Channel Probes

A4x64- Poly2-5mm-23s-250-177



TIP DETAIL



available
packages

ACTIVUS

AV256
AVH256
AVI256
AVIH256

SMART

H256
S256

INTAN

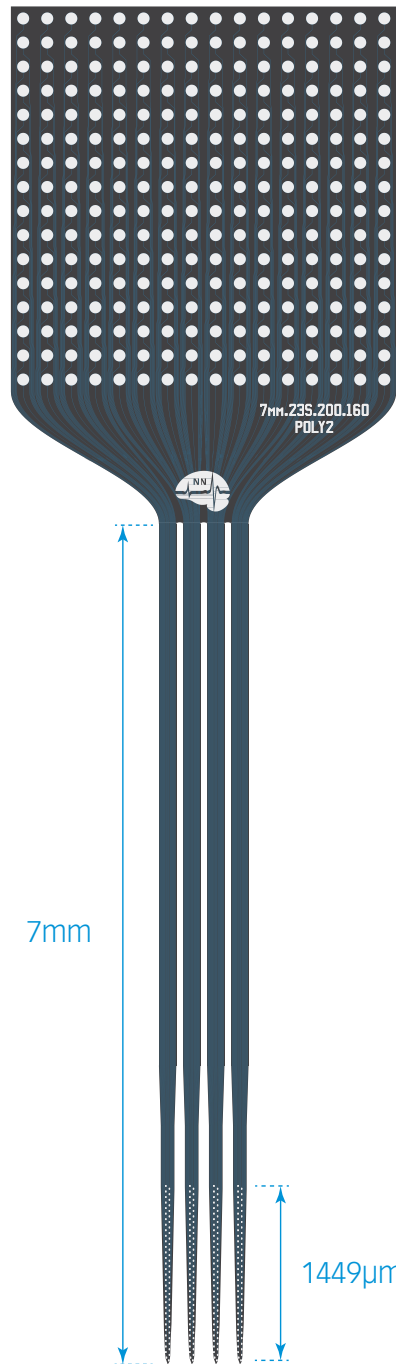
I256
IH256

Note: Given the high channel count of this design, there may be up to 15% irregular sites on the assembled device.

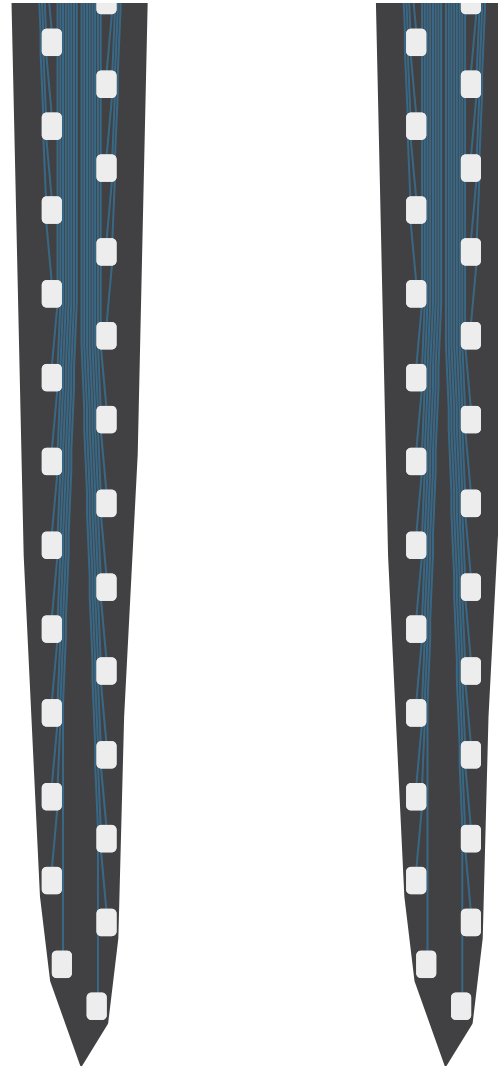
thickness

15 µm

A4x64- Poly2-7mm-23s-200-160



TIP DETAIL



available
packages

ACTIVUS

AV256
AVH256
AVI256
AVIH256

SMART

H256
S256

INTAN

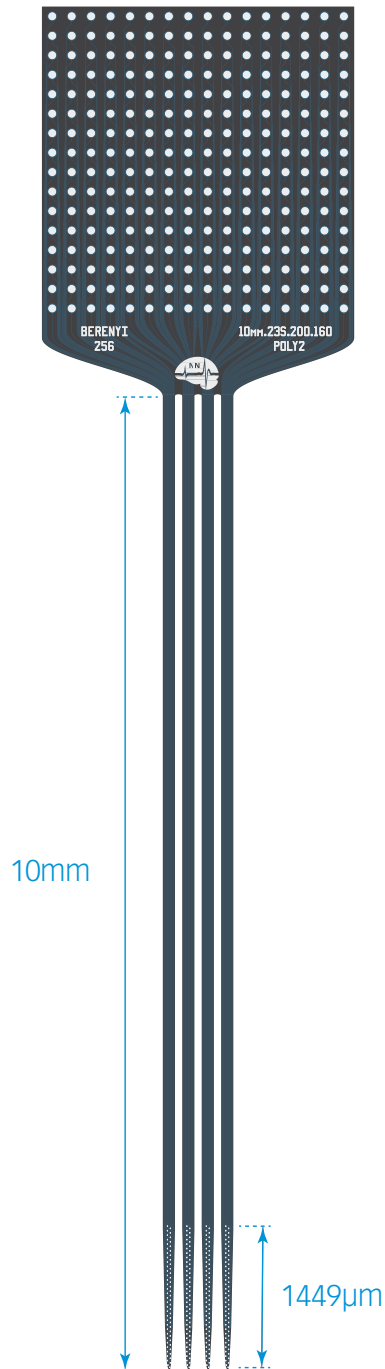
I256
IH256

Note: Given the high channel count of this design, there may be up to 15% irregular sites on the assembled device.

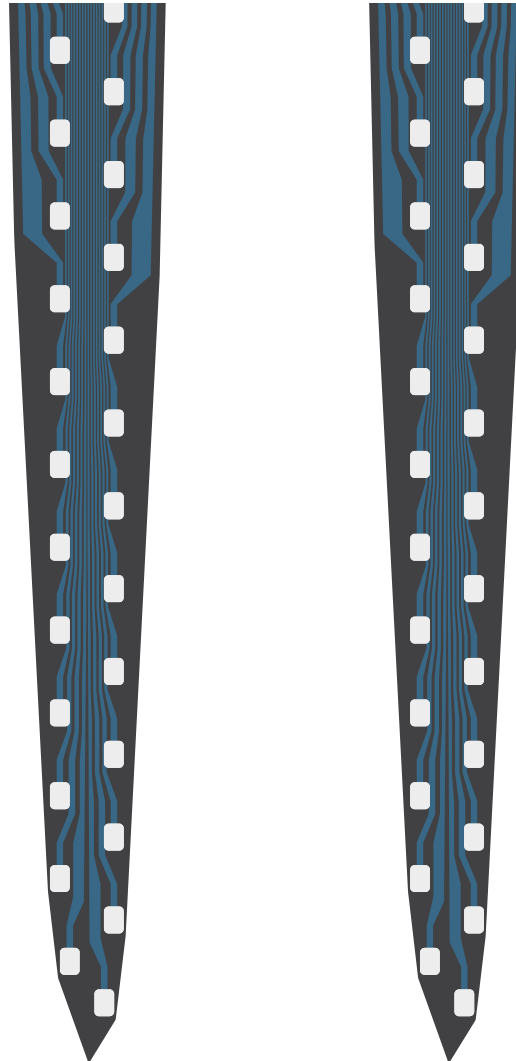
thickness

50 µm

(Berenyi) A4x64- Poly2-10mm-23s-200-160



TIP DETAIL



available
packages

ACTIVUS

AV256
AVH256
AVI256
AVIH256

SMART

H256
S256

INTAN

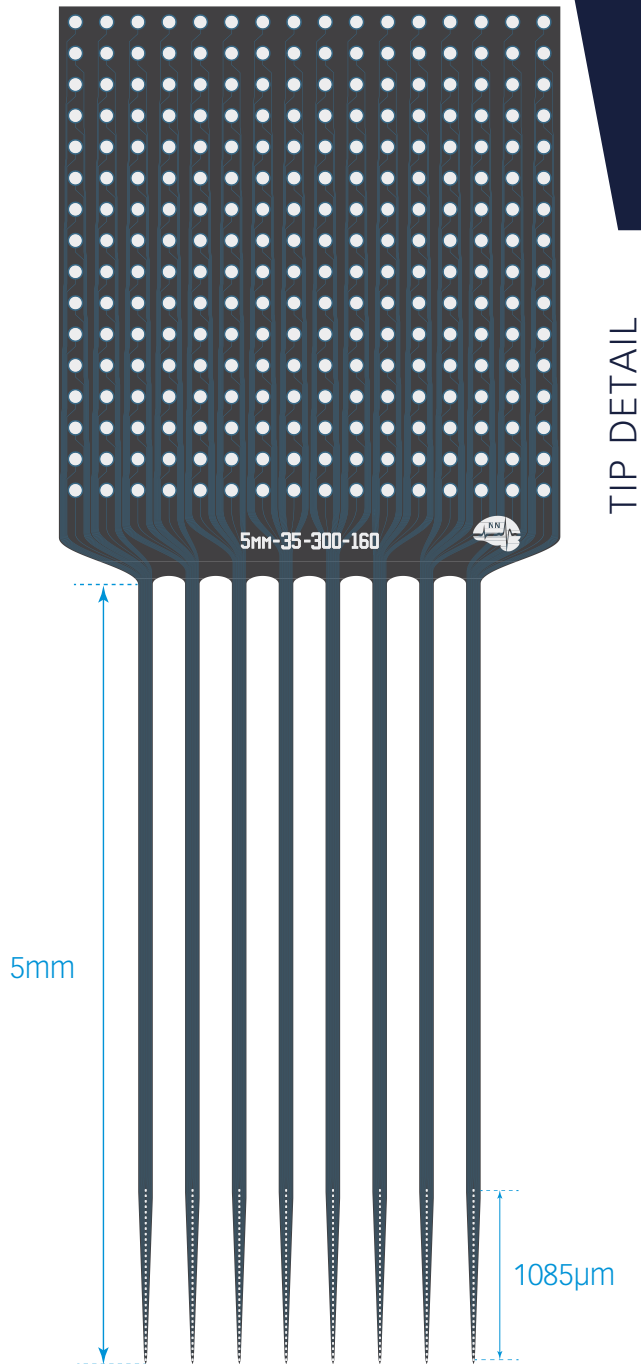
I256
IH256

Note: Given the high channel count of this design, there may be up to 15% irregular sites on the assembled device.

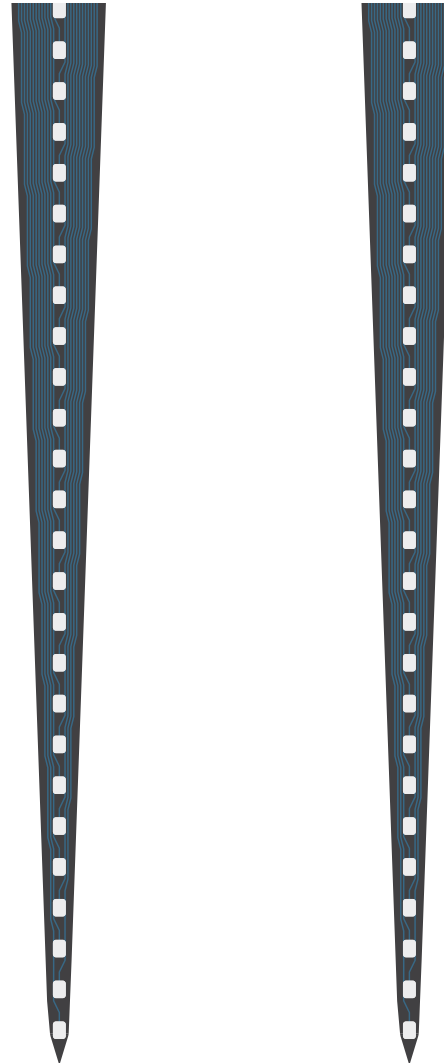
thickness

15 µm

A8x32-5mm-35-300-160



TIP DETAIL



available packages

ACTIVUS

AV256
AVH256
AVI256
AVIH256

SMART

H256
S256

INTAN

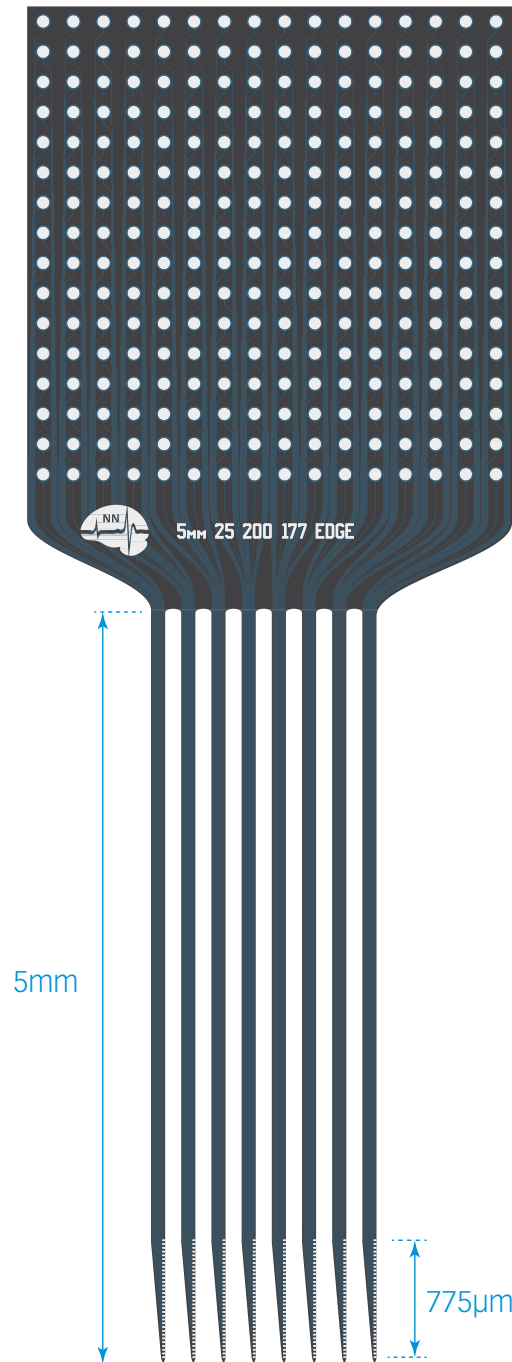
I256
IH256

Note: Given the high channel count of this design, there may be up to 15% irregular sites on the assembled device.

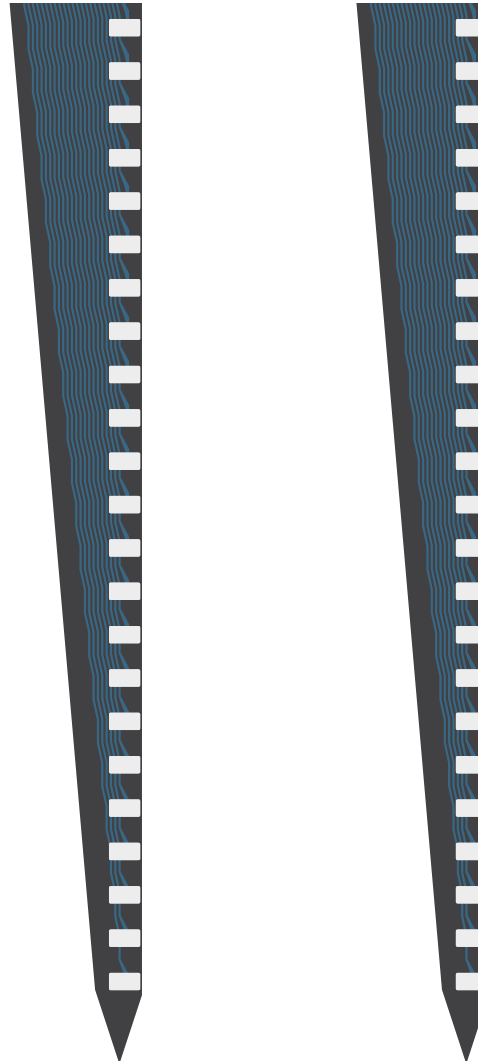
thickness

15 µm

A8x32-Edge-5mm-25-200-177



TIP DETAIL



available packages

ACTIVUS

AV256
AVH256
AVI256
AVIH256

SMART

H256
S256

INTAN

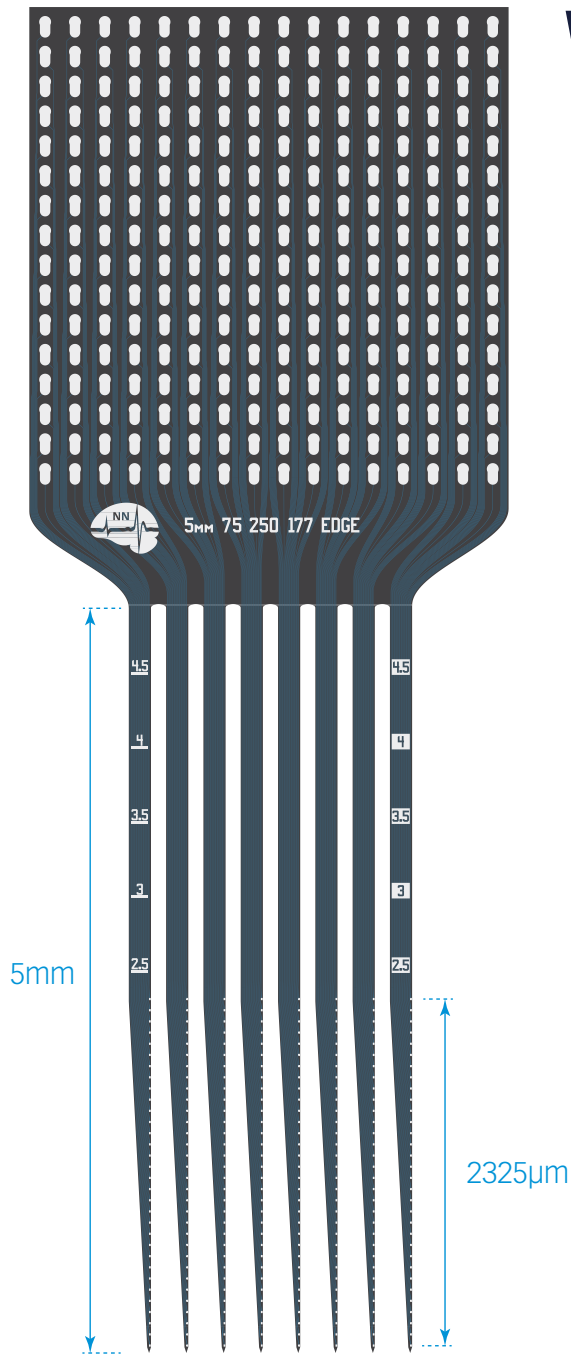
I256
IH256

Note: Given the high channel count of this design, there may be up to 15% irregular sites on the assembled device.

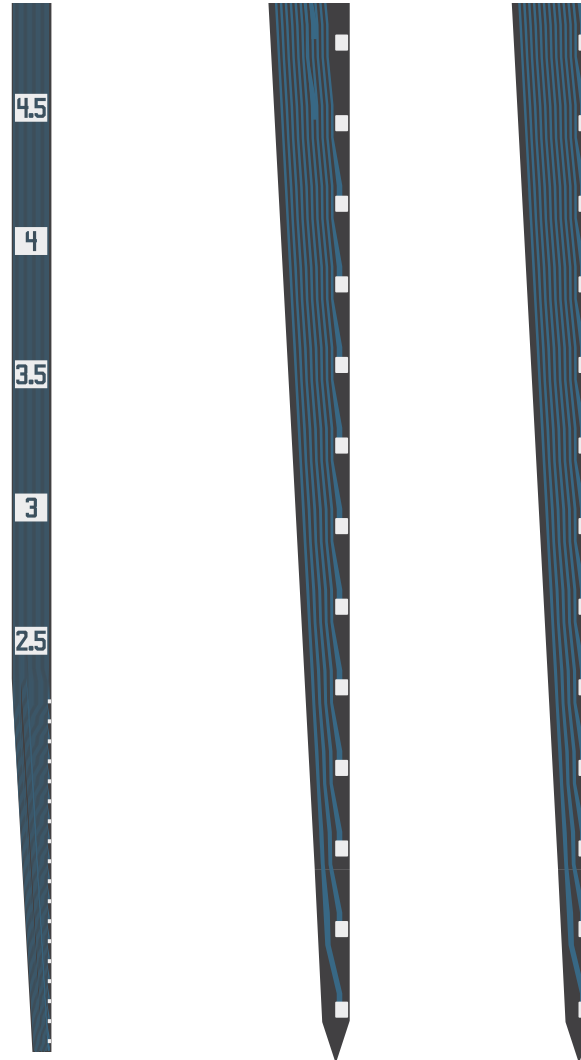
thickness

15 µm

A8x32-Edge-5mm-75-250-177



TIP DETAIL



available packages

ACTIVUS

AV256
AVH256
AVI256
AVIH256

SMART

H256
S256

INTAN

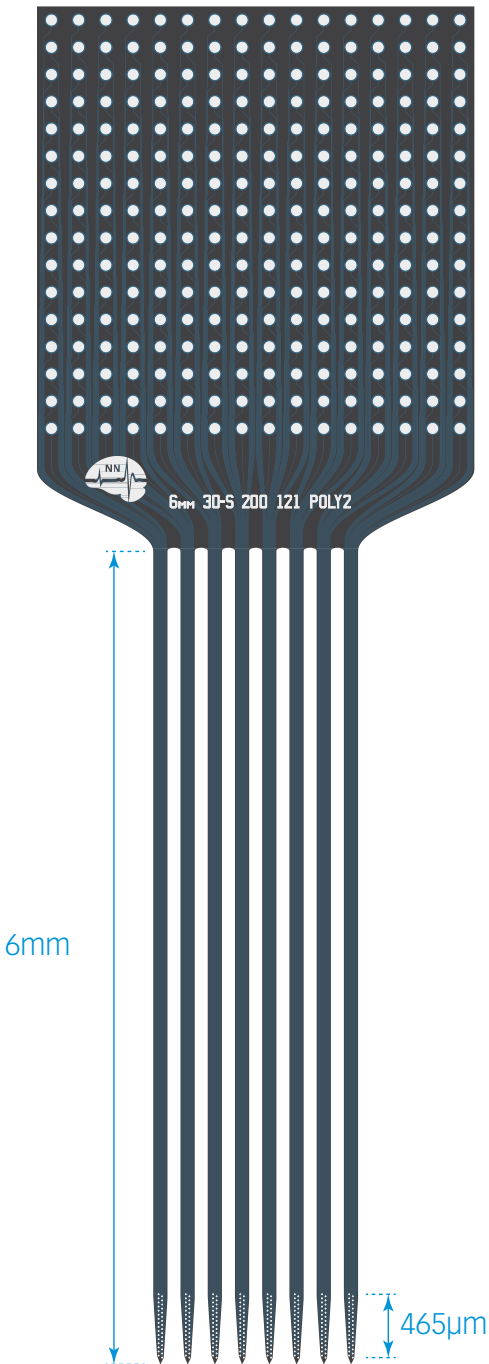
I256
IH256

Note: Given the high channel count of this design, there may be up to 15% irregular sites on the assembled device.

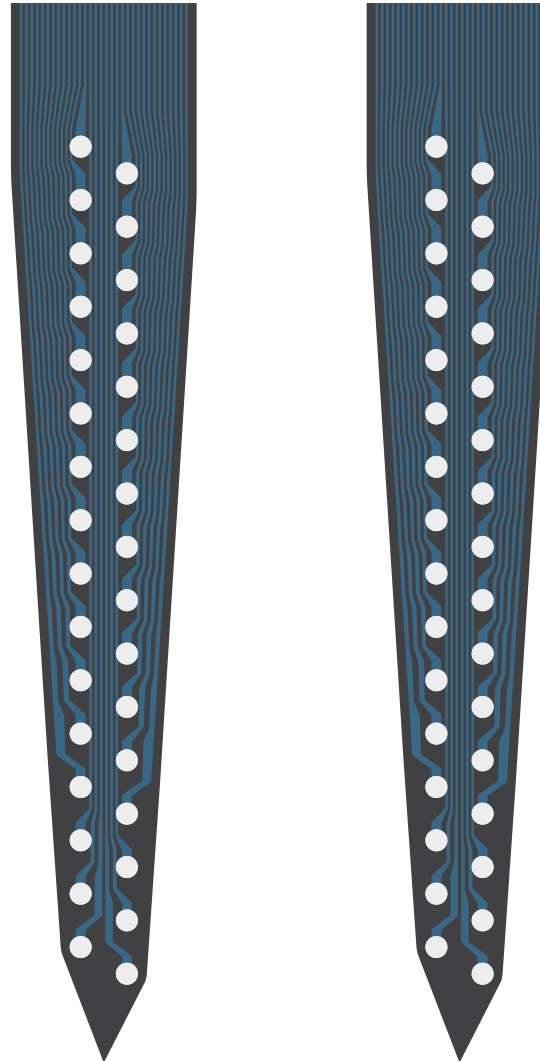
thickness

50 µm

A8X32- Poly2-6mm-30s-200-121



TIP DETAIL



available
packages

ACTIVUS

AV256
AVH256
AVI256
AVIH256

SMART

H256
S256

INTAN

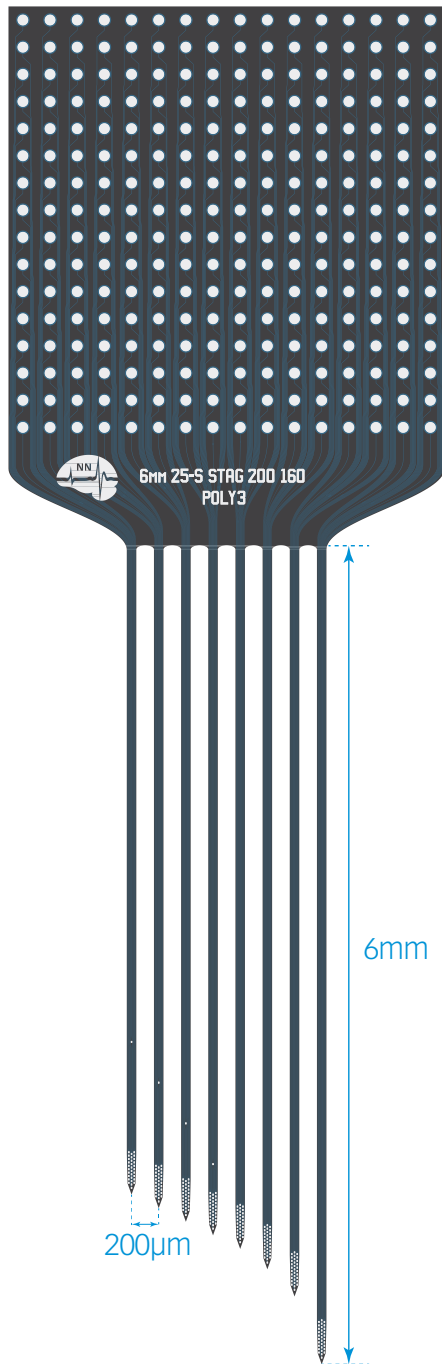
I256
IH256

Note: Given the high channel count of this design, there may be up to 15% irregular sites on the assembled device.

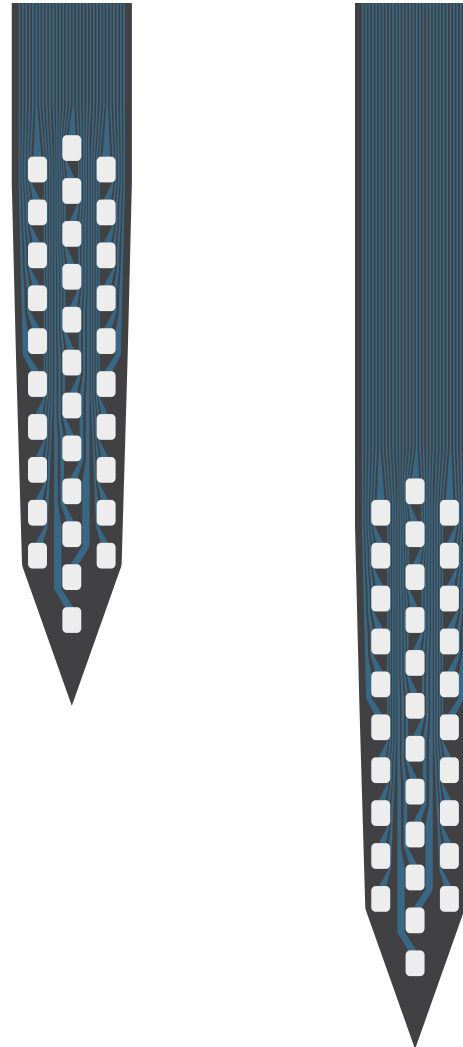
thickness

15 µm

A8x32-Poly3-6mm-25s- stag-200-160



TIP DETAIL



available
packages

ACTIVUS

AV256
AVH256
AVI256
AVIH256

SMART

H256
S256

INTAN

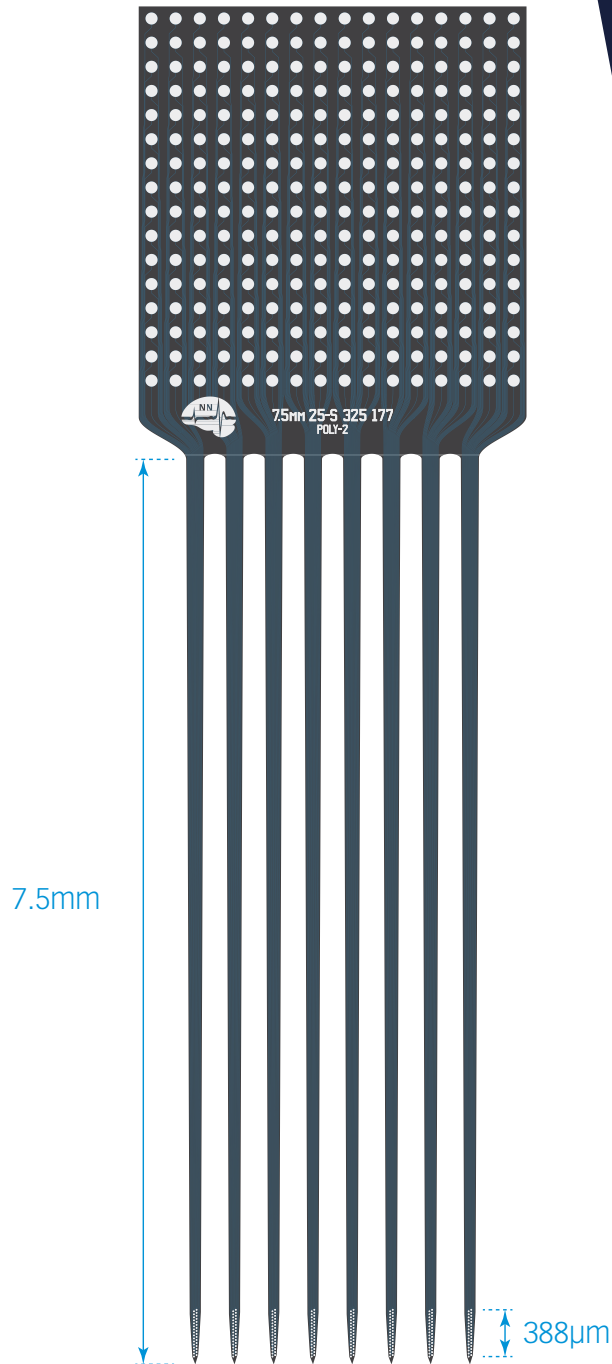
I256
IH256

Note: Given the high channel count of this design, there may be up to 15% irregular sites on the assembled device.

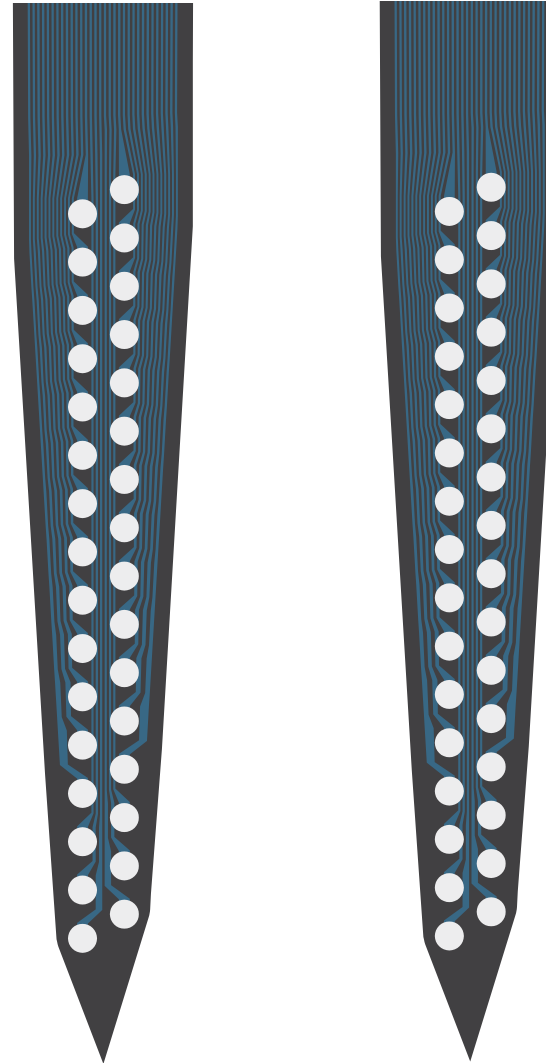
thickness

15 µm

A8x32- Poly2-7.5mm-25s-325-177



TIP DETAIL



available
packages

ACTIVUS

AV256
AVH256
AVI256
AVIH256

SMART

H256
S256

INTAN

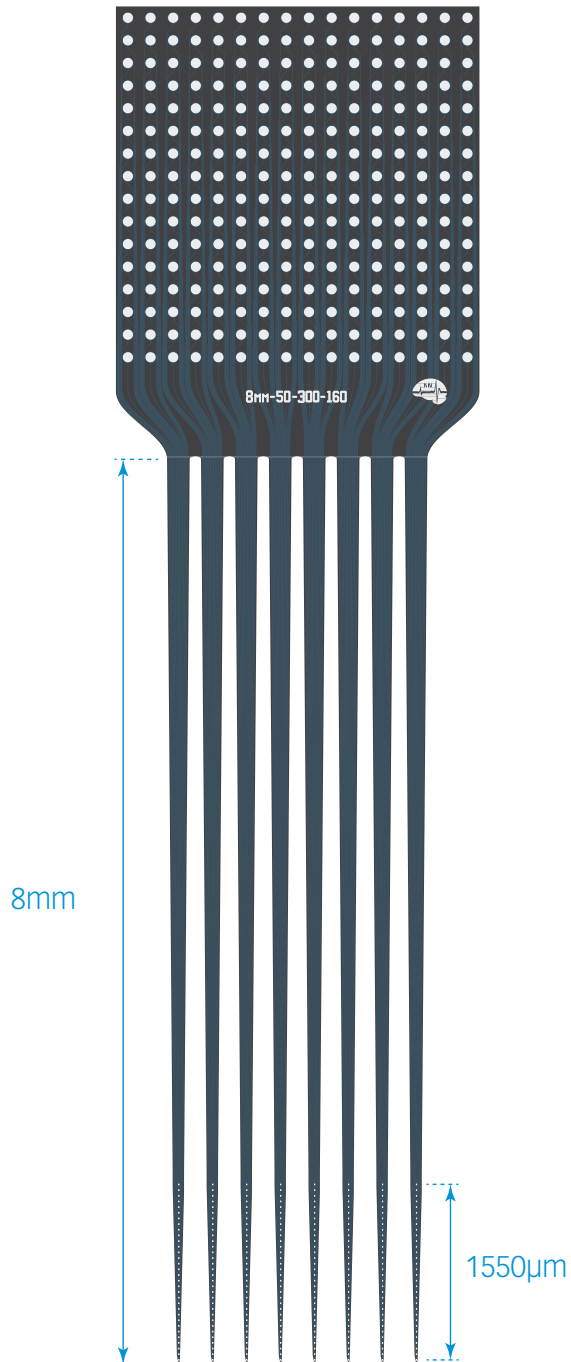
I256
IH256

Note: Given the high channel count of this design, there may be up to 15% irregular sites on the assembled device.

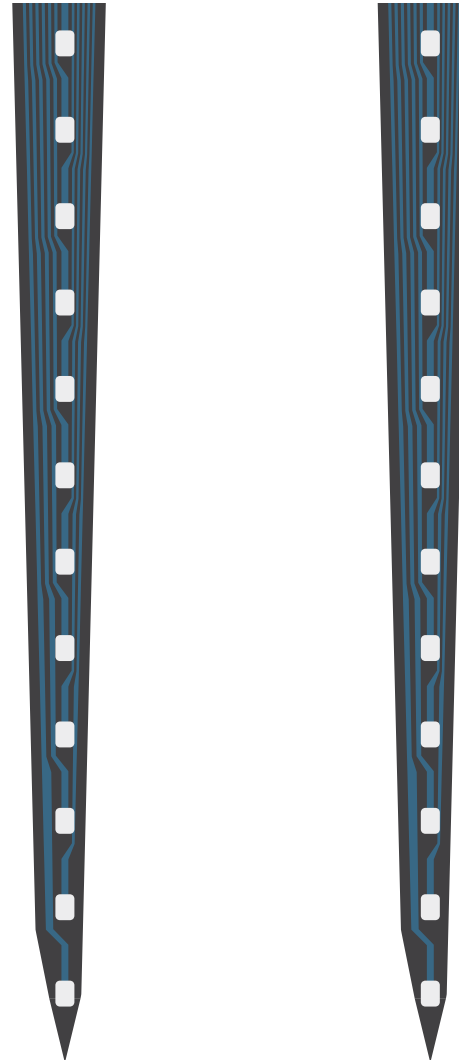
thickness

50 µm

A8x32-8mm-50-300-160



TIP DETAIL



available packages

ACTIVUS

AV256
AVH256
AVI256
AVIH256

SMART

H256
S256

INTAN

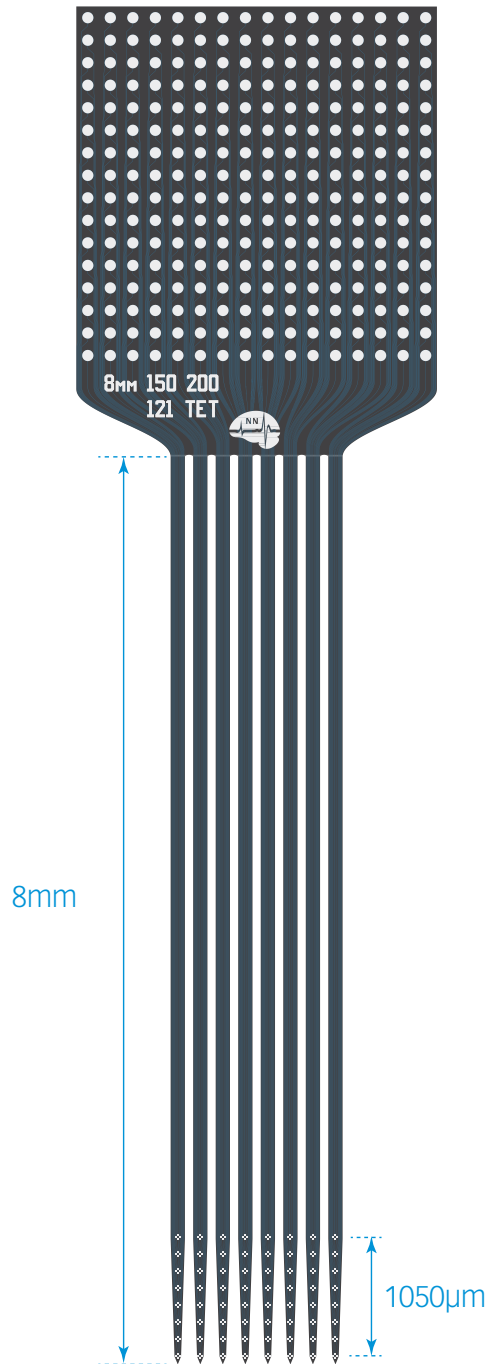
I256
IH256

Note: Given the high channel count of this design, there may be up to 15% irregular sites on the assembled device.

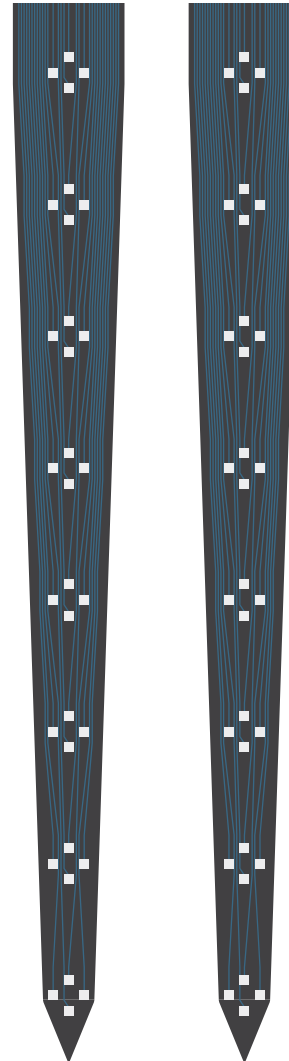
thickness

15 µm

A8x8-tet-8mm-150-200-121



TIP DETAIL



available packages

ACTIVUS

AV256
AVH256
AVI256
AVIH256

SMART

H256
S256

INTAN

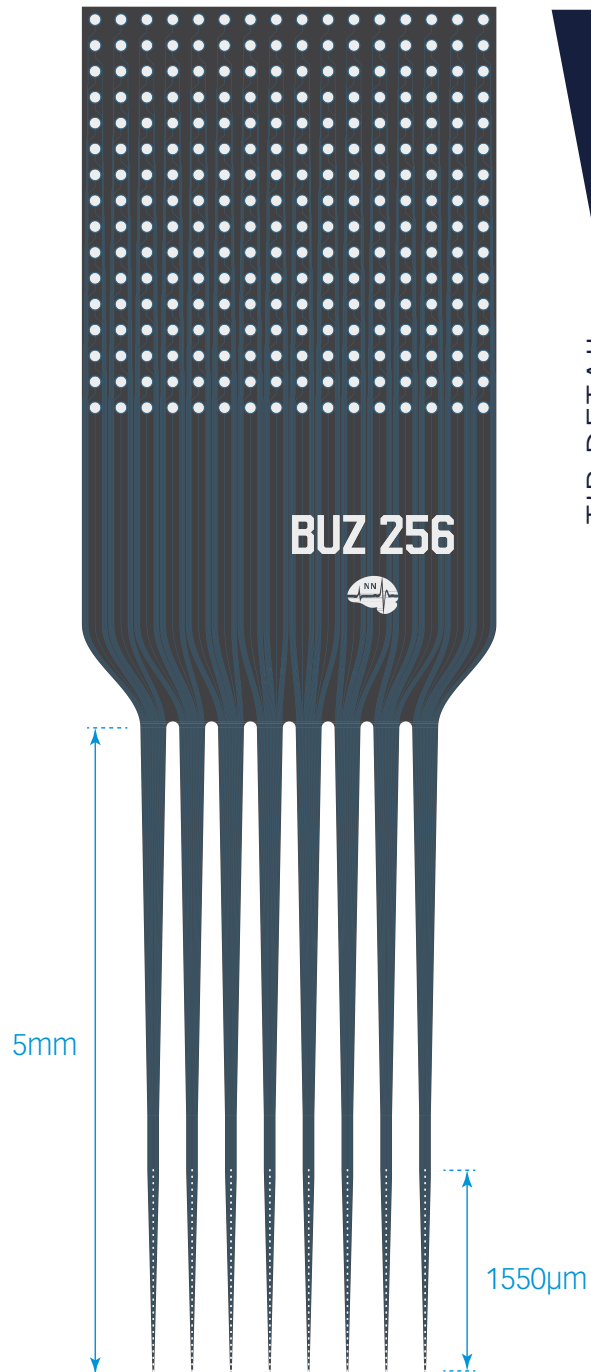
I256
IH256

Note: Given the high channel count of this design, there may be up to 15% irregular sites on the assembled device.

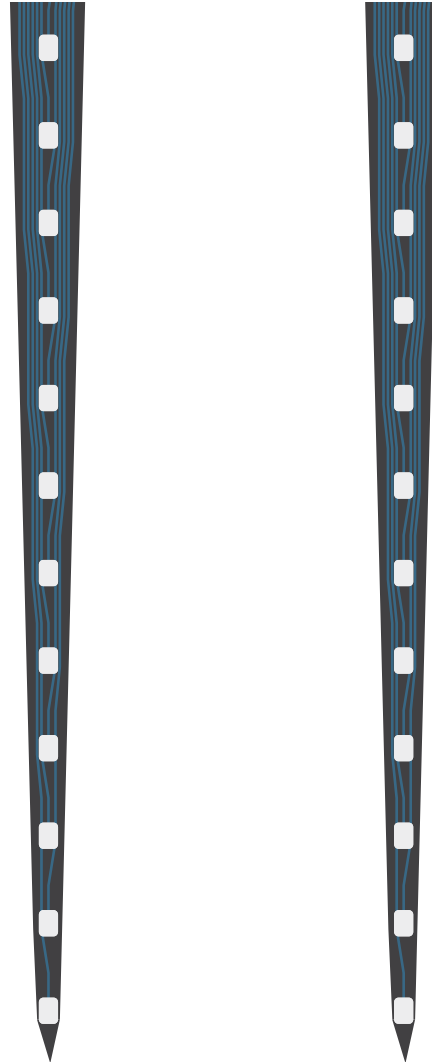
thickness

50 µm

Buzsaki256



TIP DETAIL



available packages

ACTIVUS

AV256
AVH256
AVI256
AVIH256

SMART

H256
S256

INTAN

I256
IH256

Note: Given the high channel count of this design, there may be up to 15% irregular sites on the assembled device.

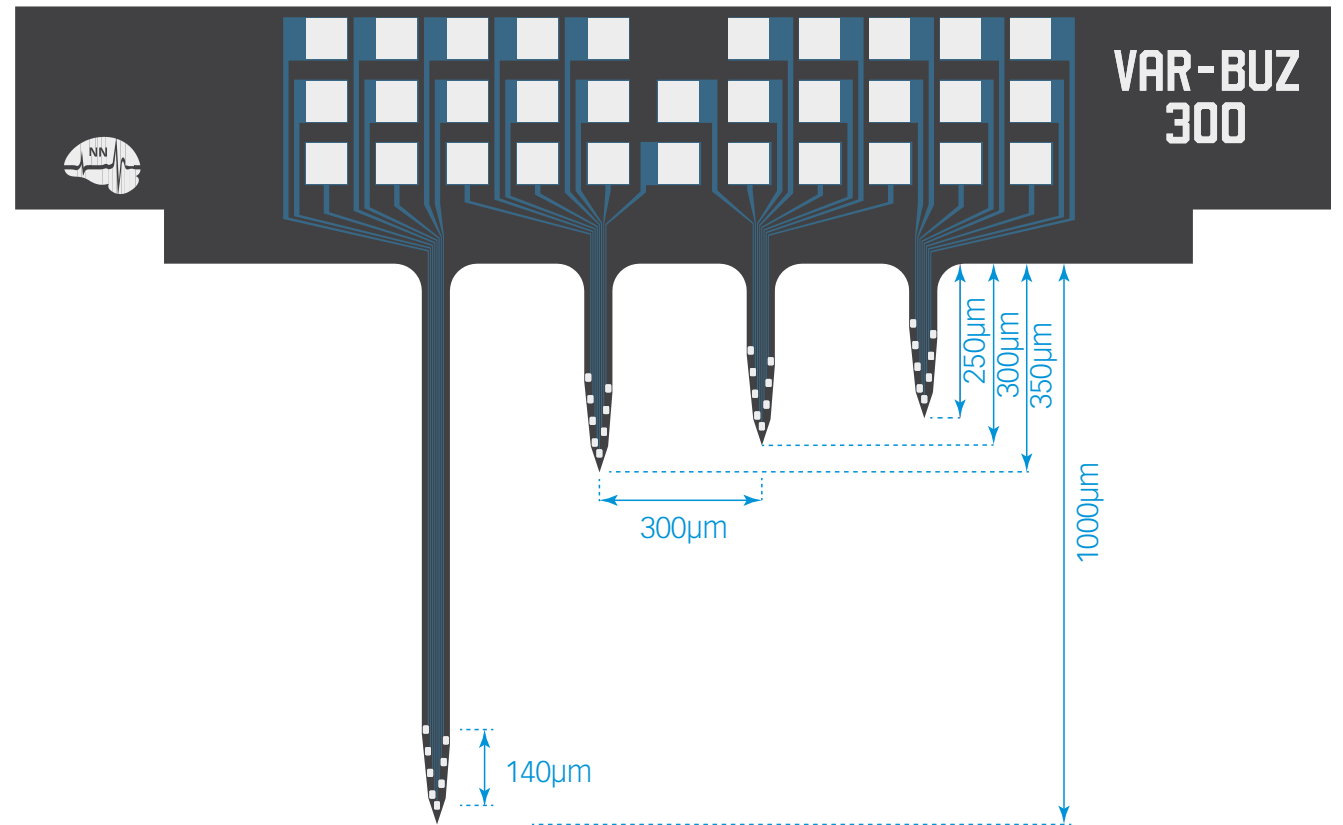
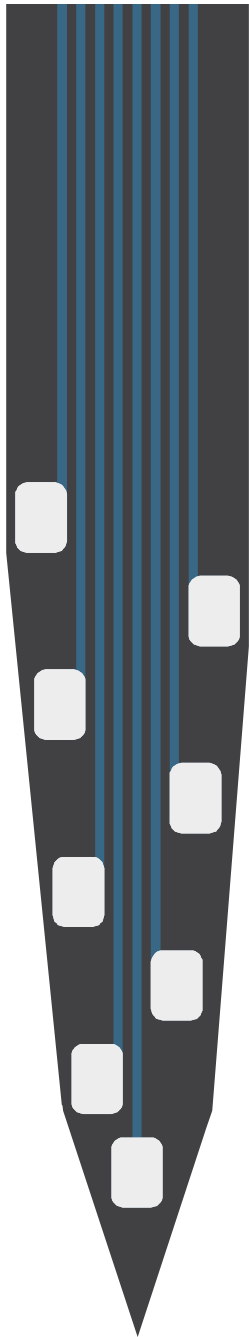
thickness

15 µm

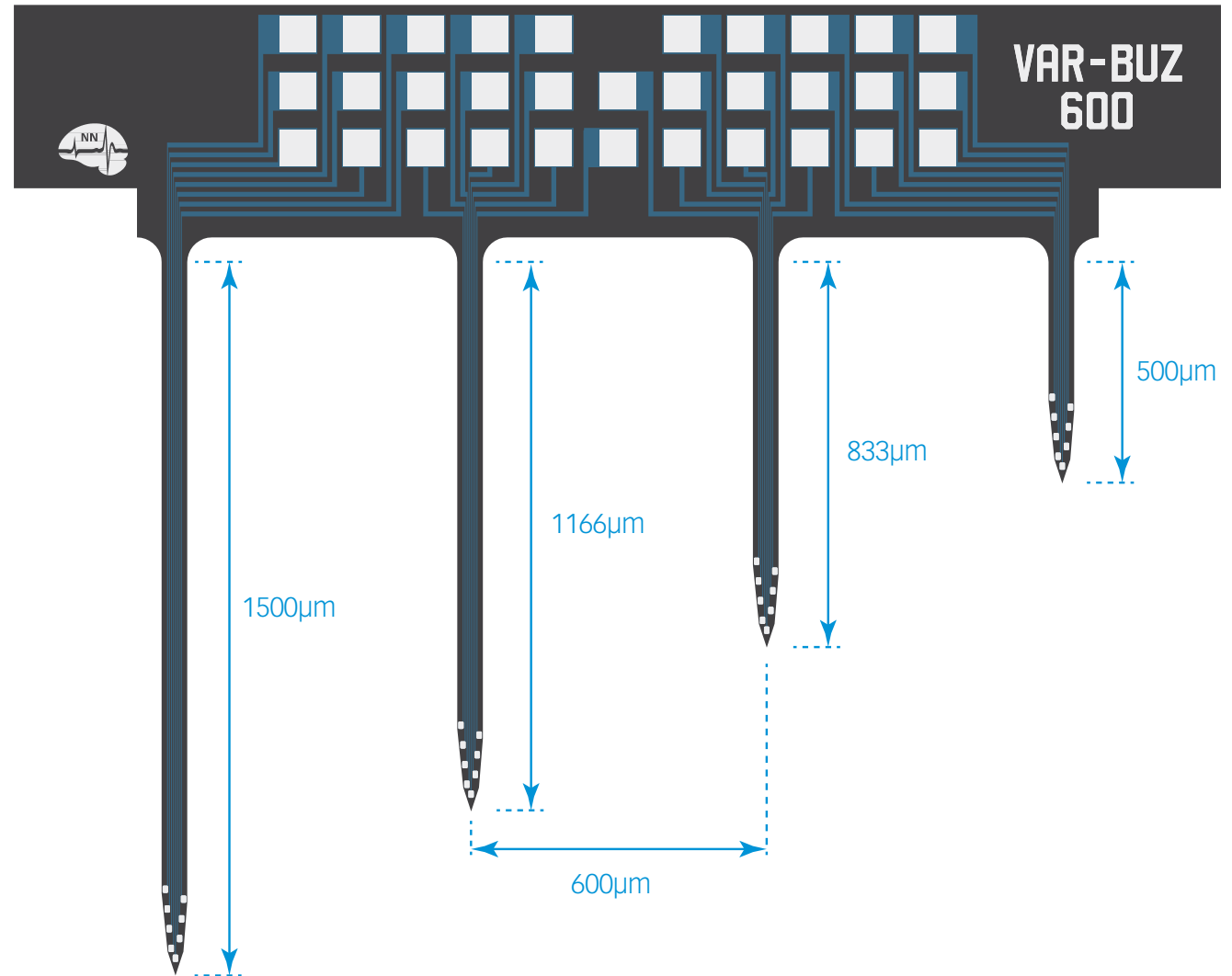
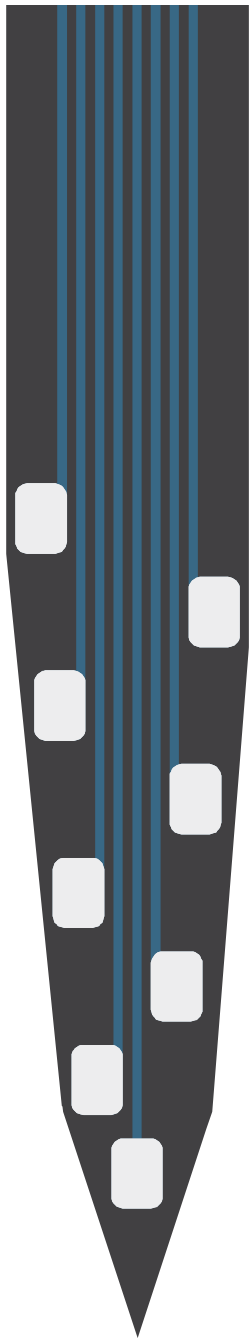
6

Matrix Arrays

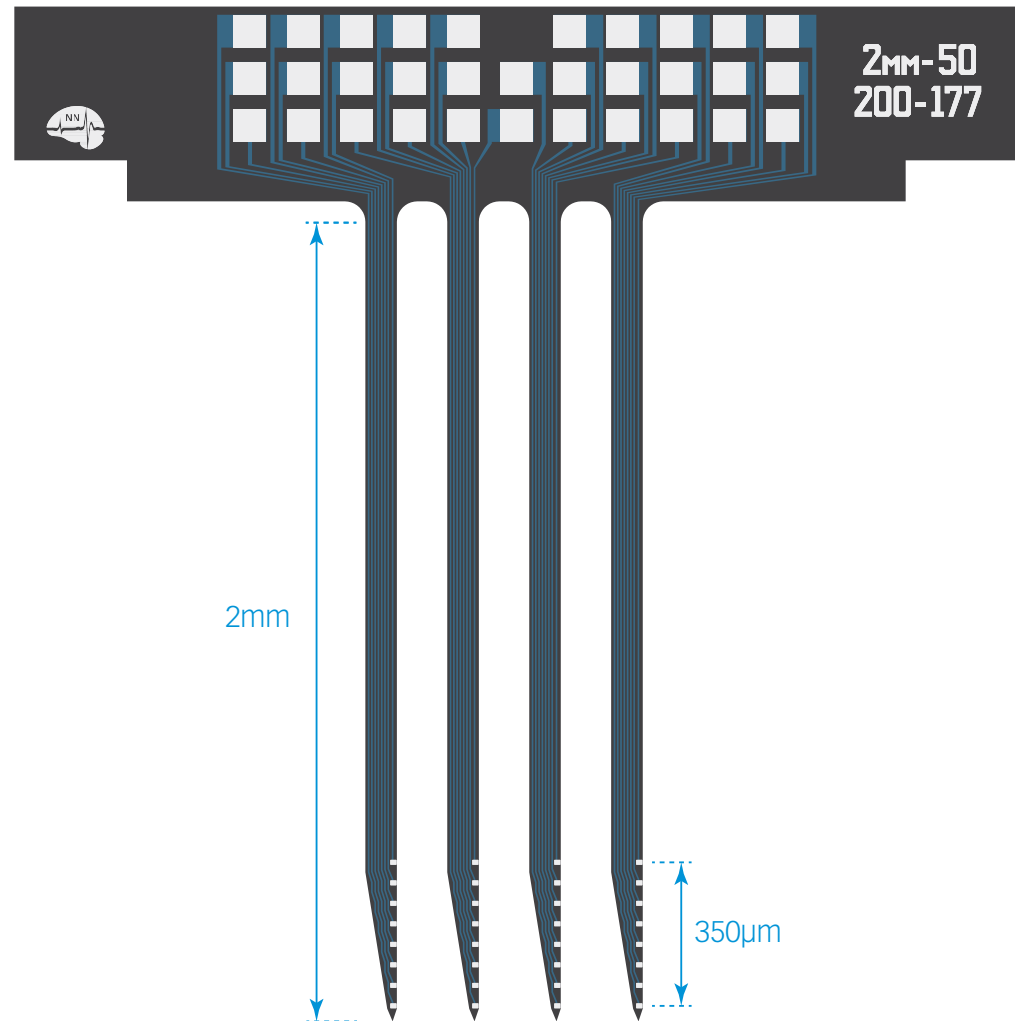
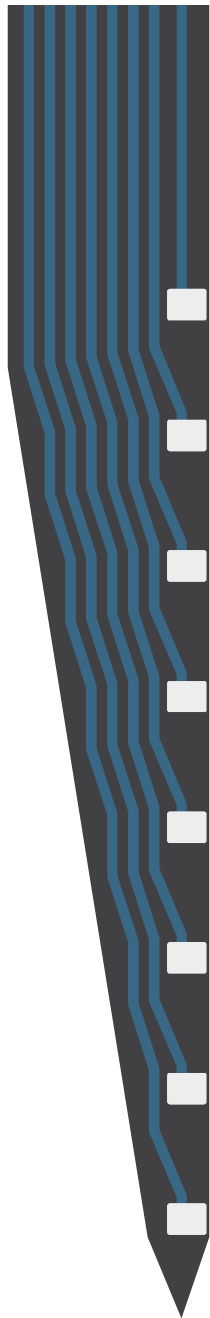
M4x8-var-buz-300



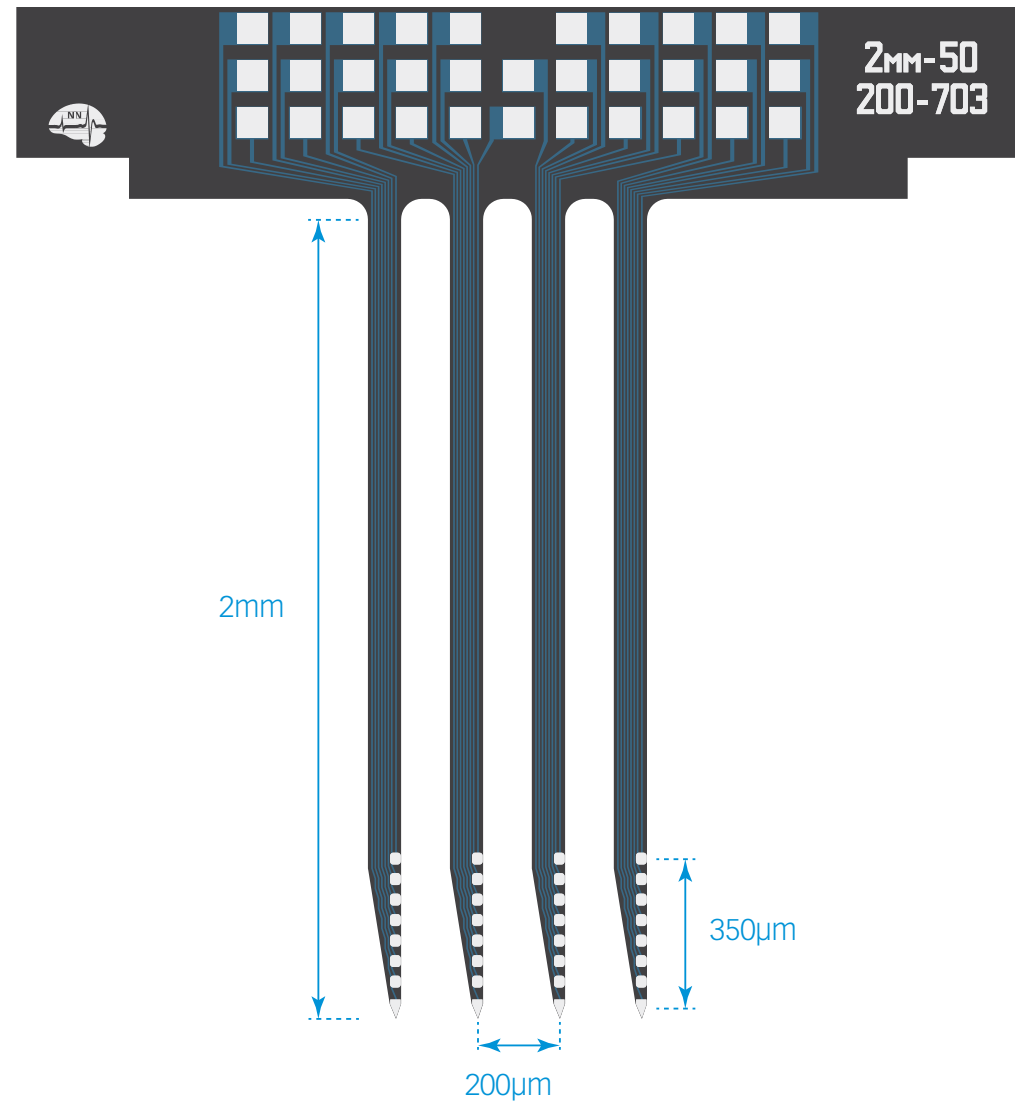
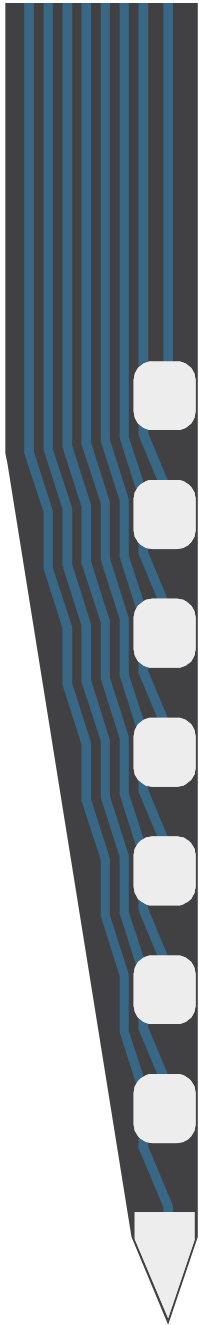
M4x8-var-buz-600



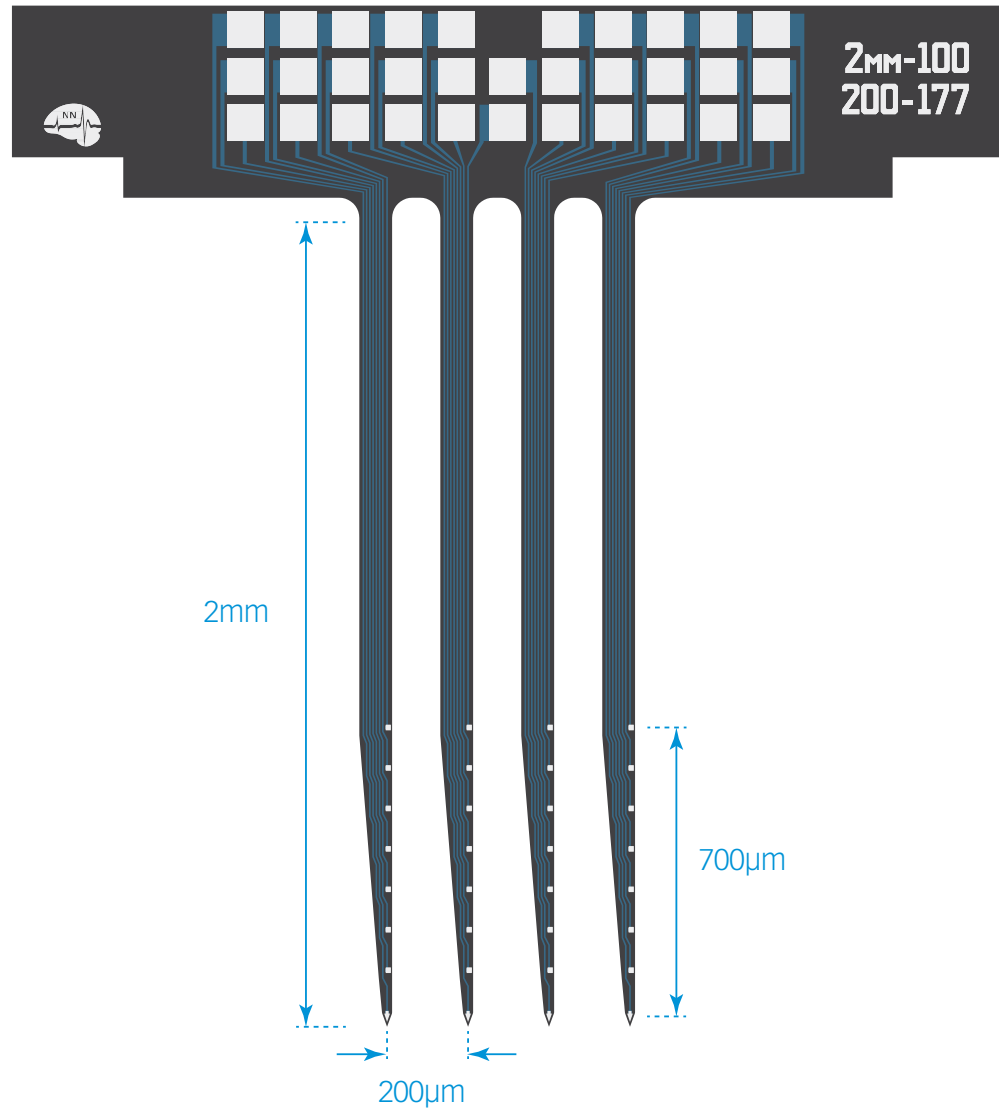
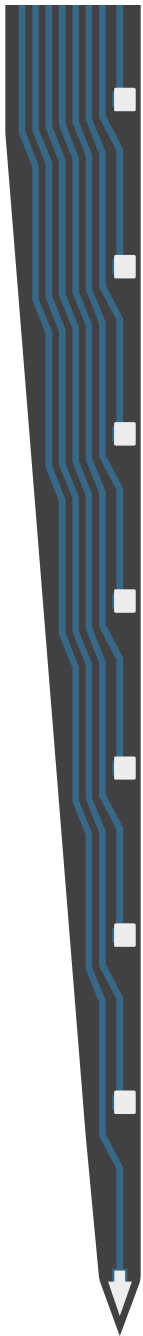
M4x8-2mm-50-200-177



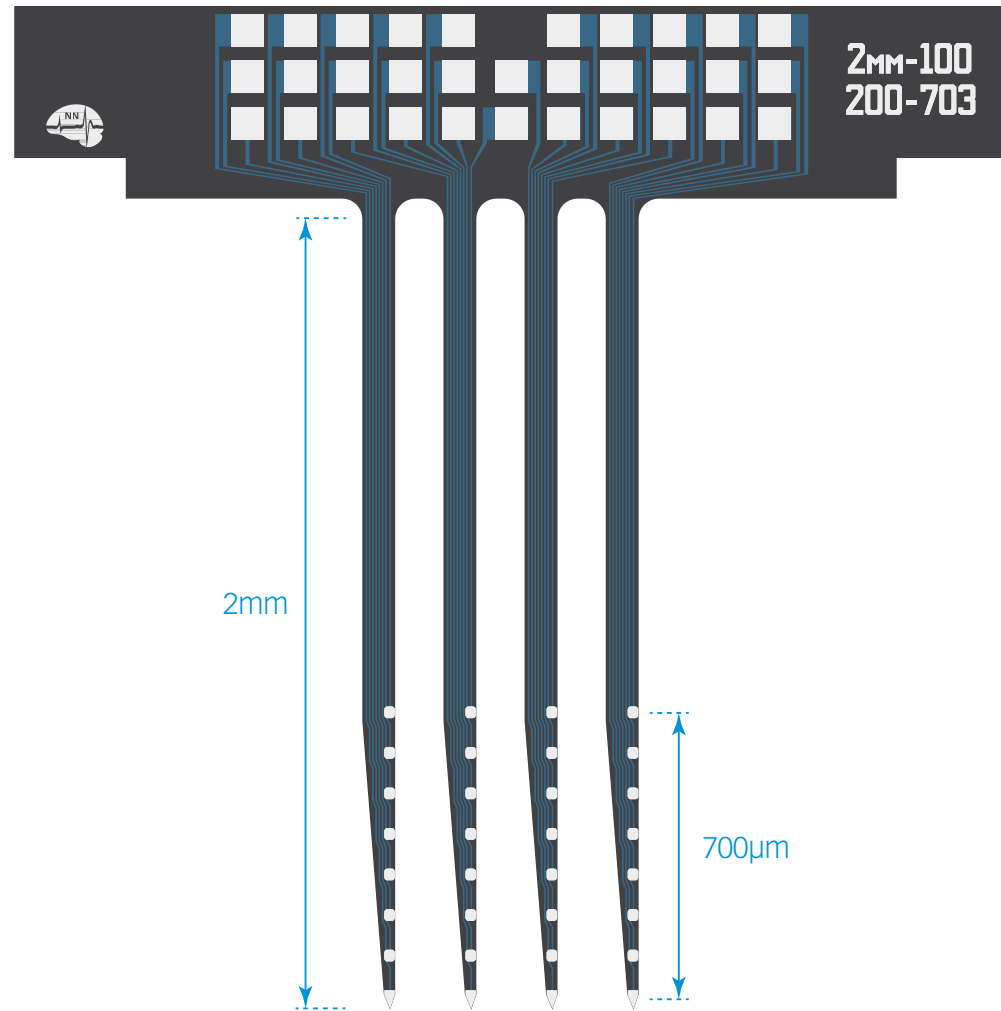
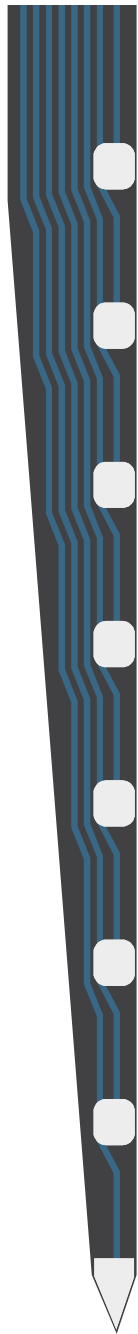
M4x8-2mm-50-200-703



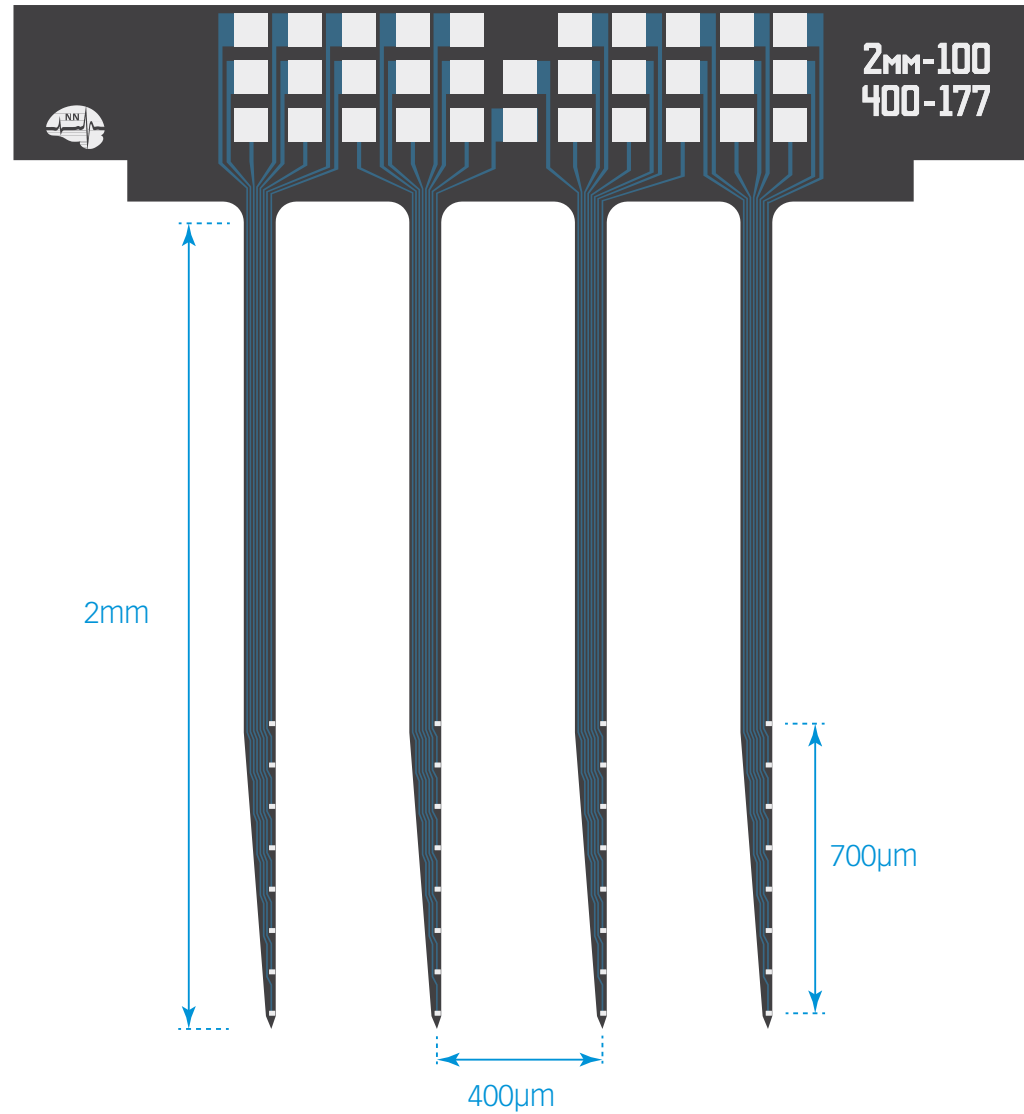
M4x8-2mm-100-200-177



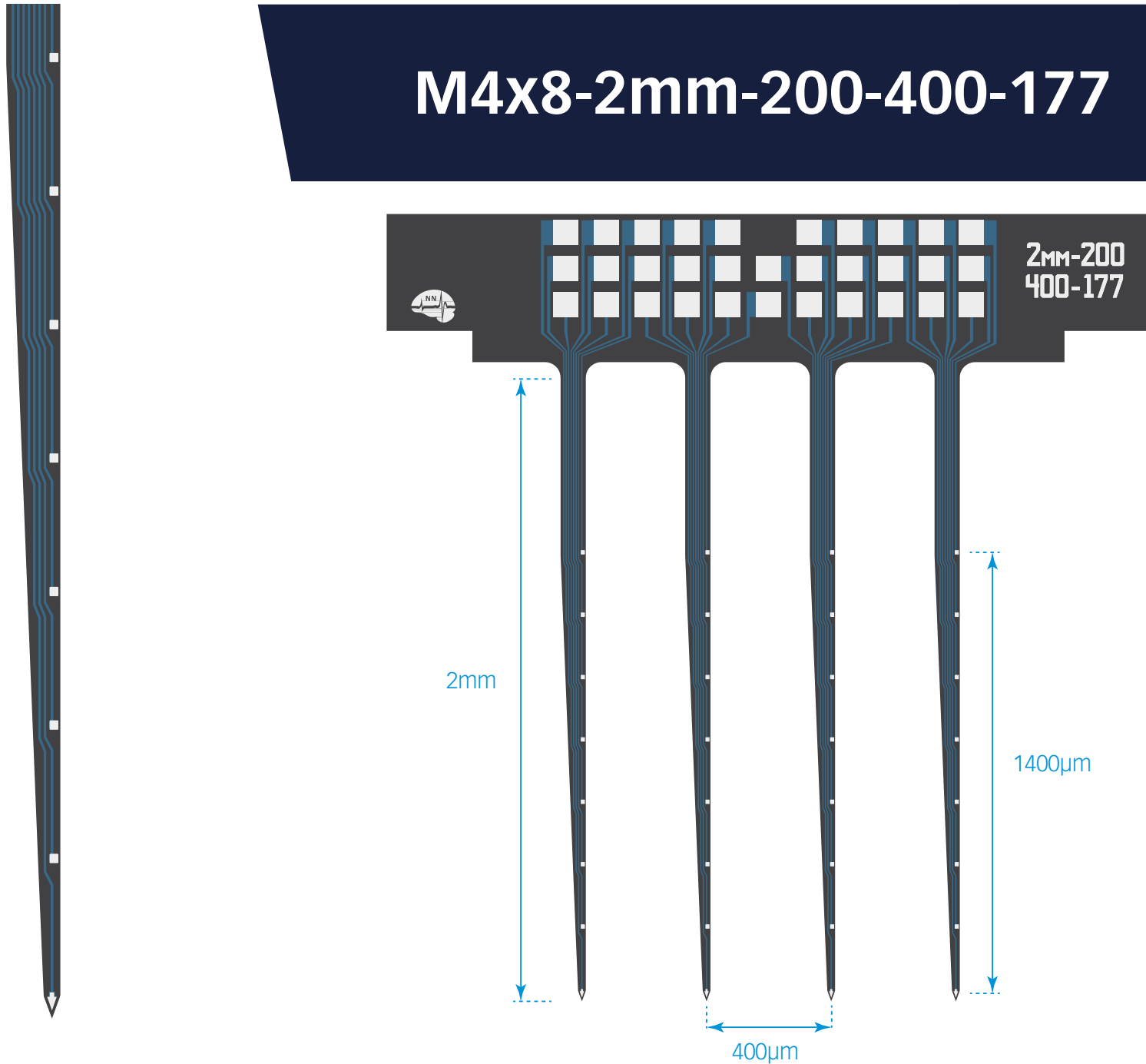
M4x8-2mm-100-200-703



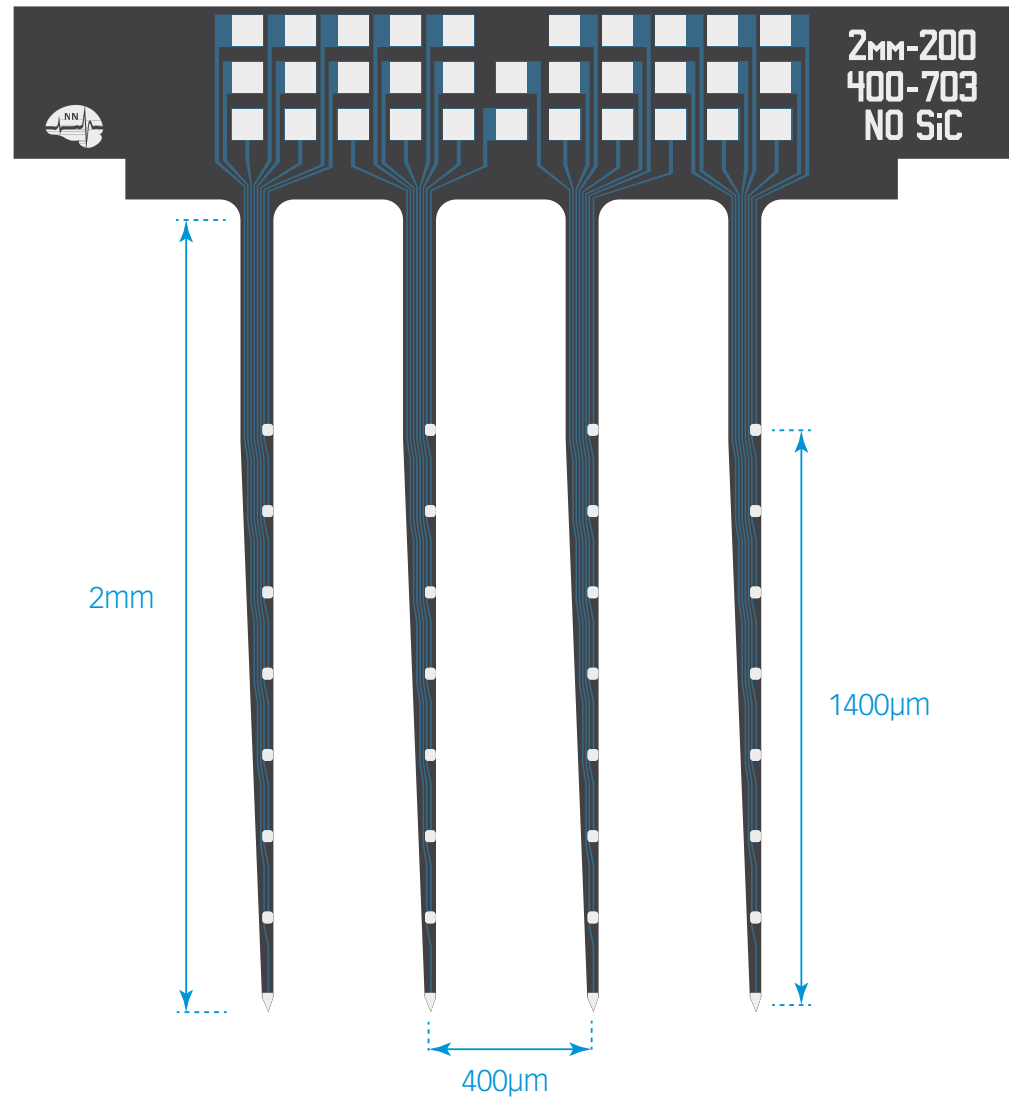
M4x8-2mm-100-400-177



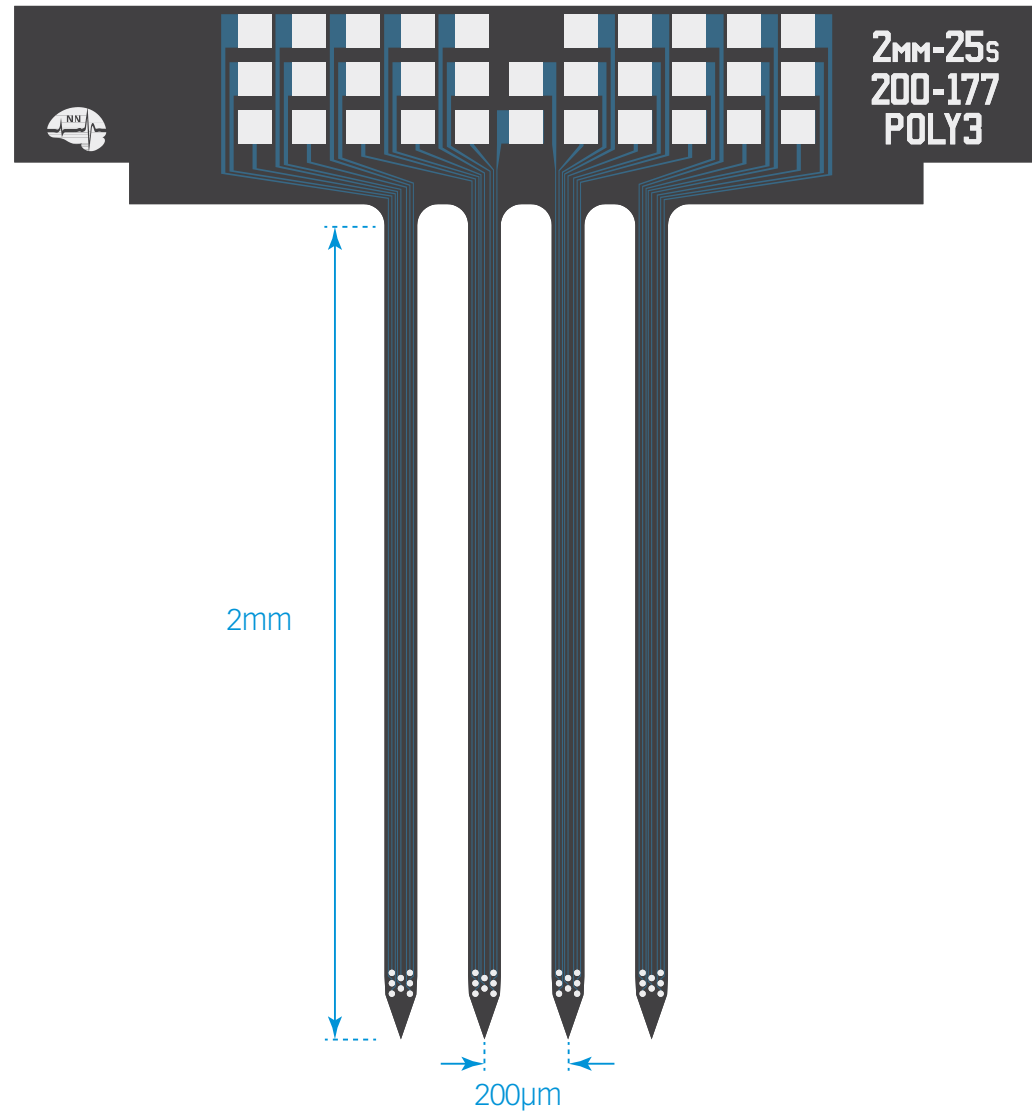
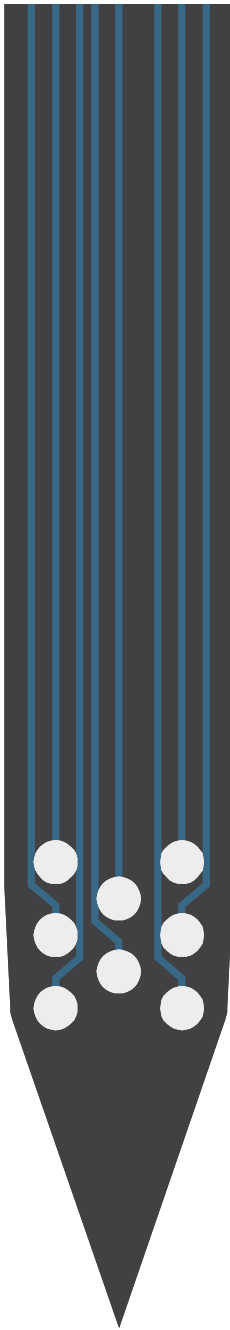
M4x8-2mm-200-400-177



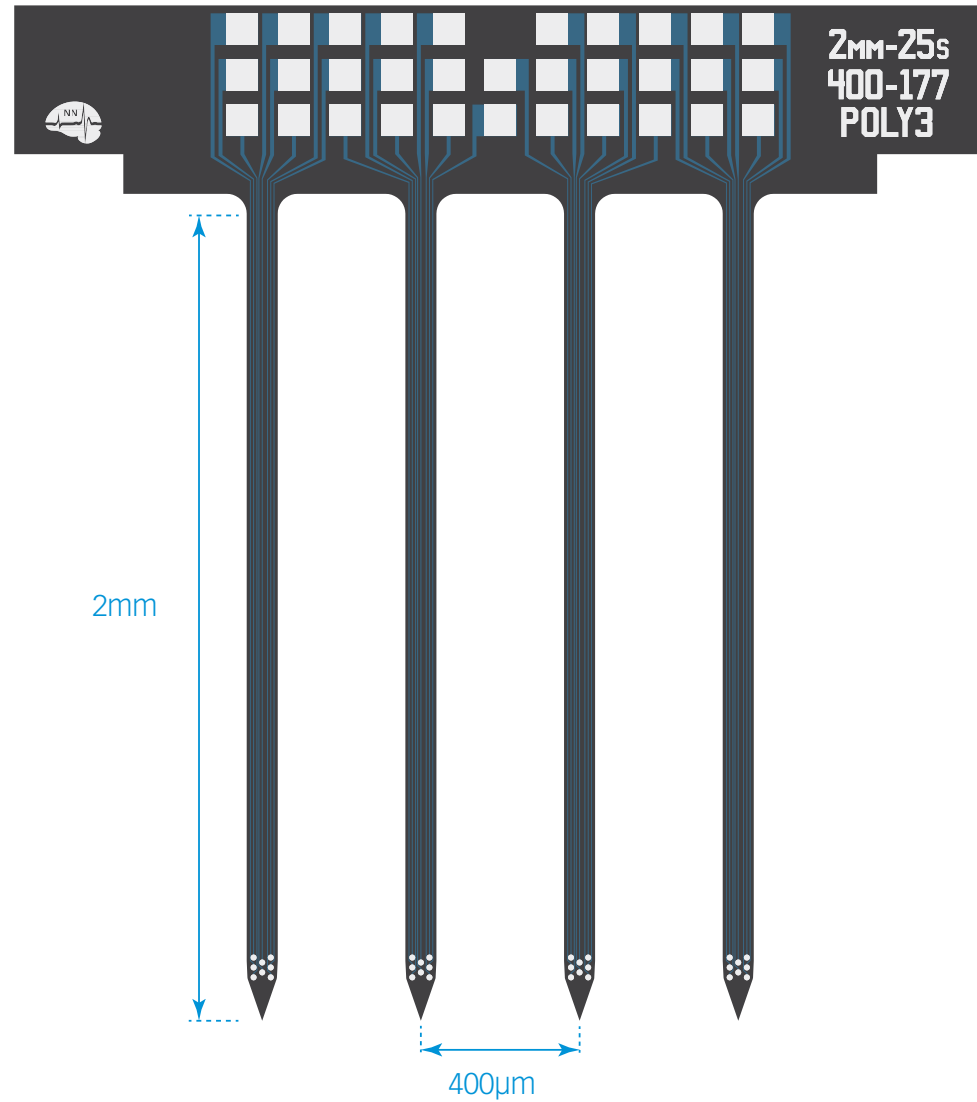
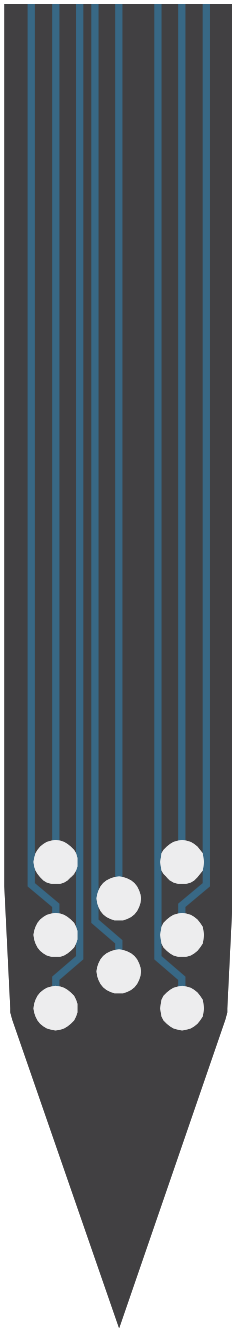
M4x8-2mm-200-400-703



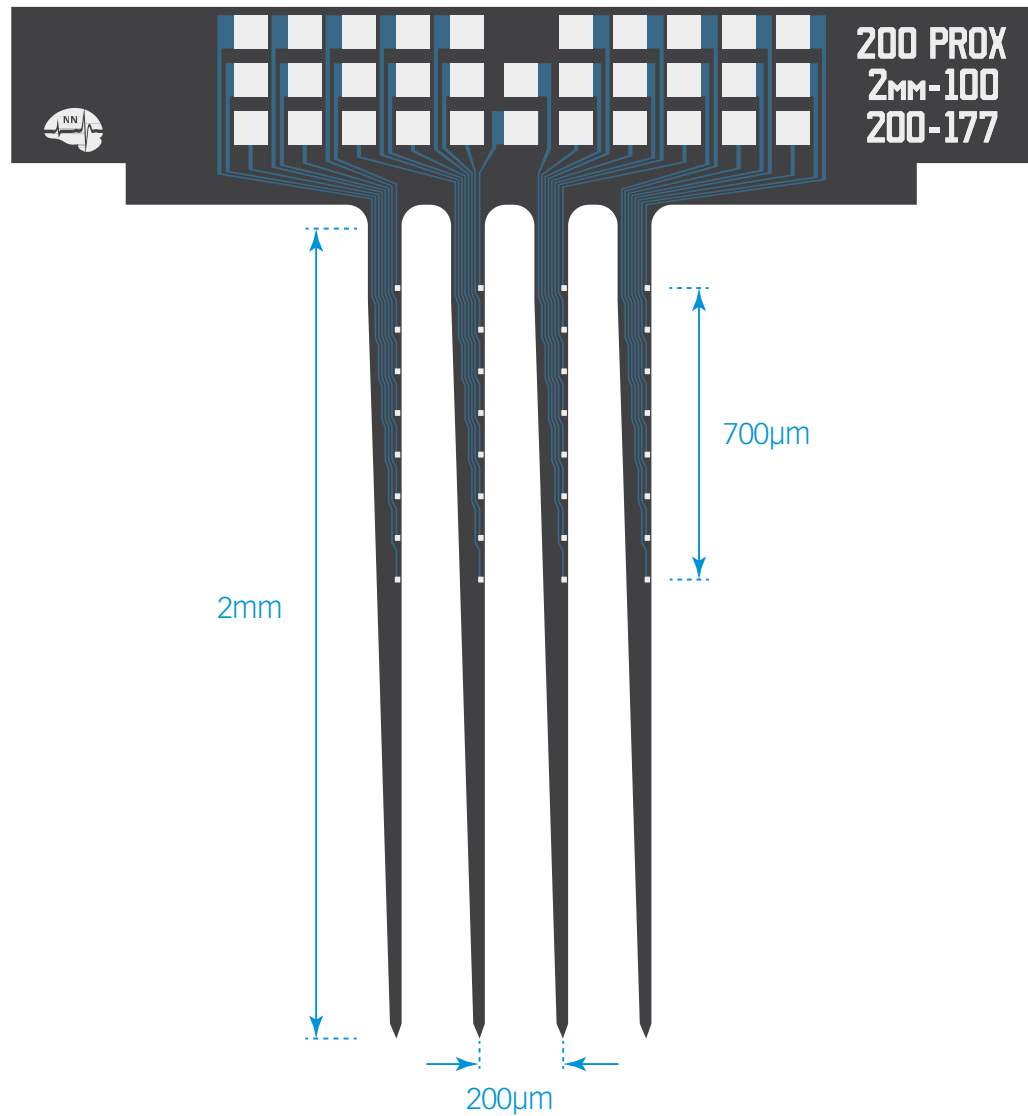
M4x8-poly3-2mm-25s-200-177



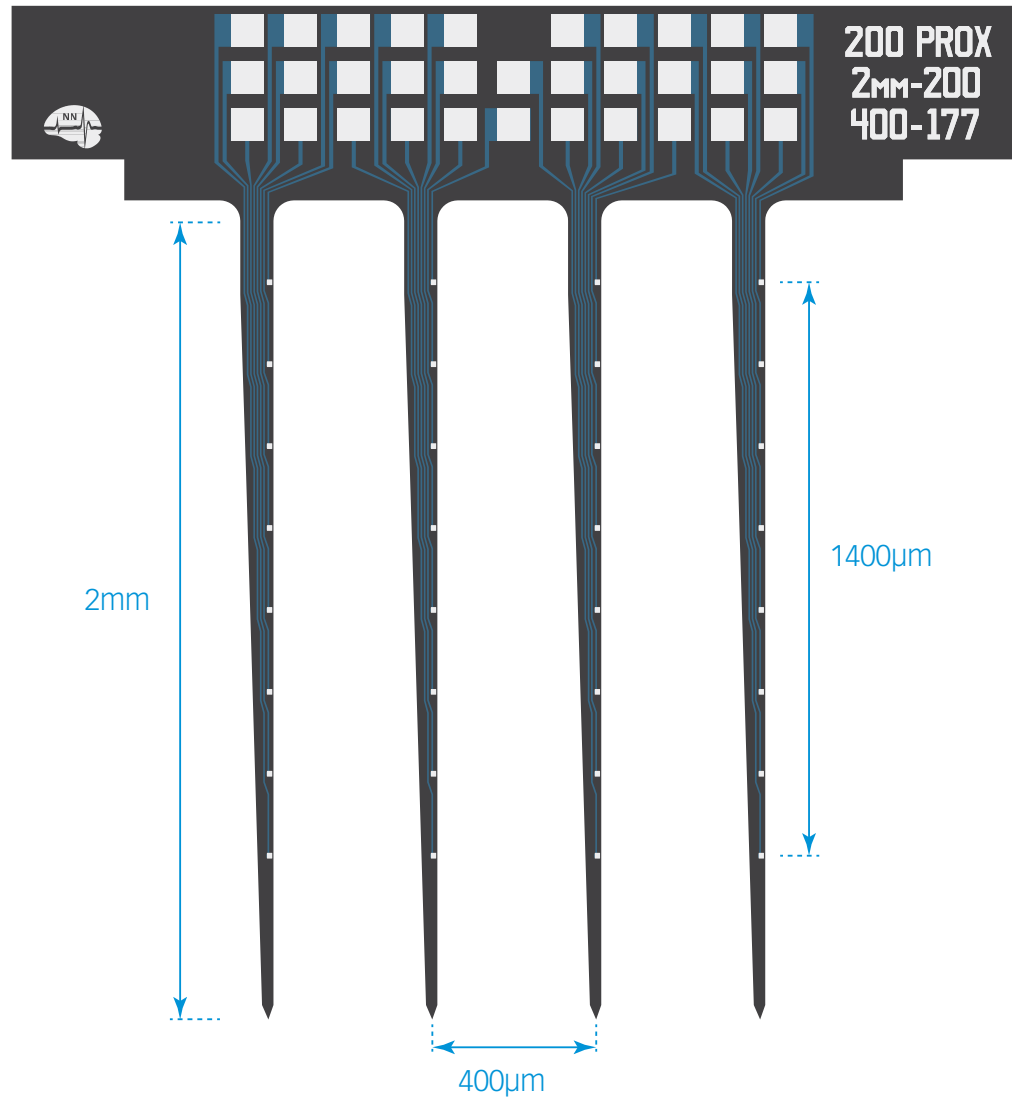
M4x8-Poly3-2mm-25s-400



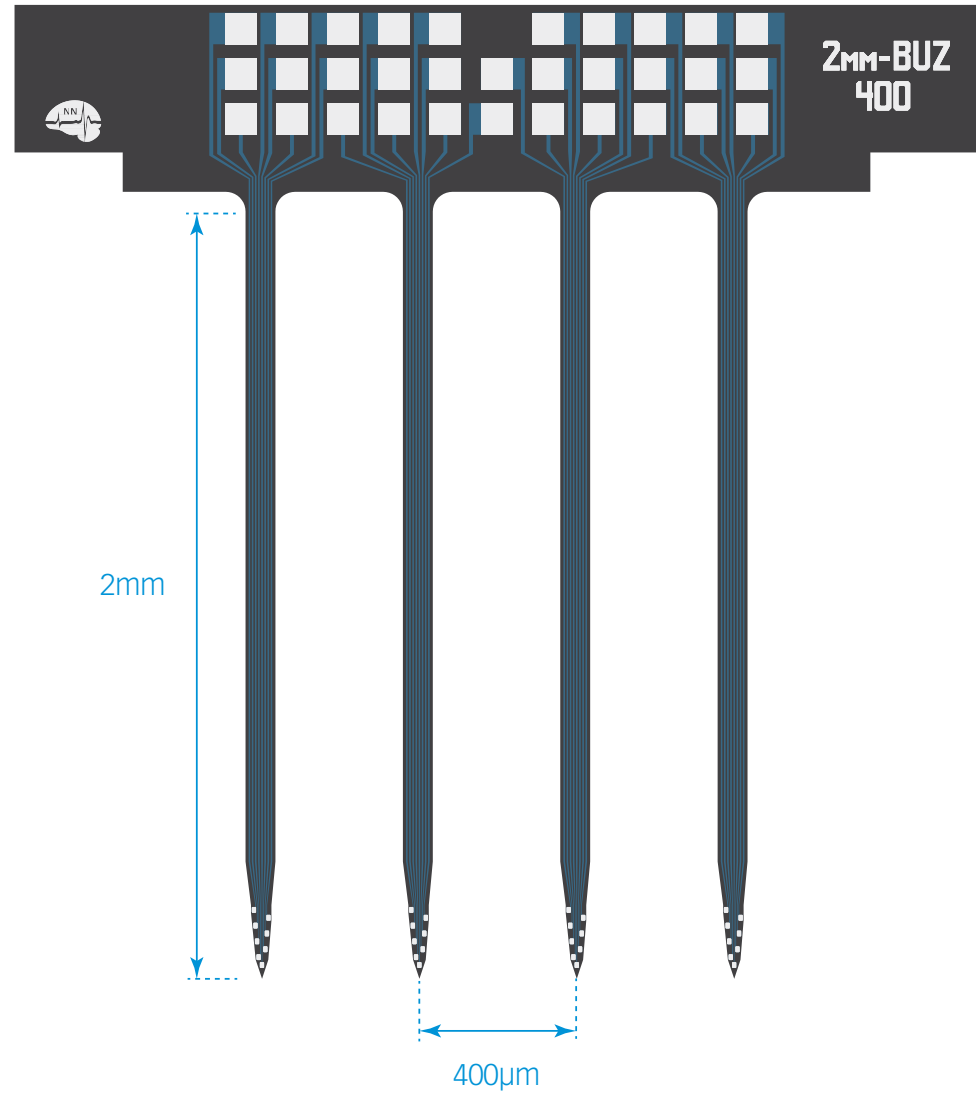
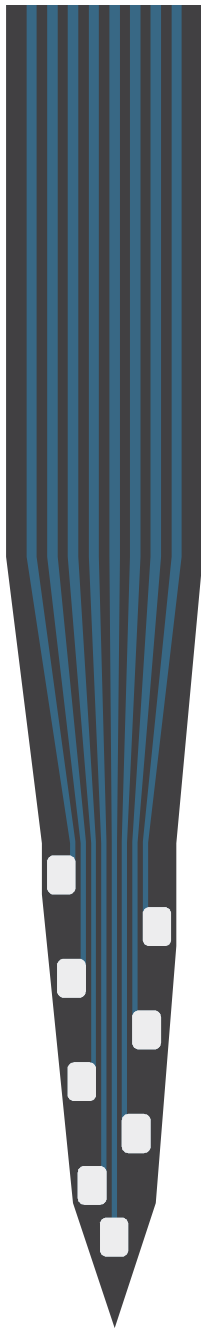
M4x8-Prox200-2mm- 100-200-177



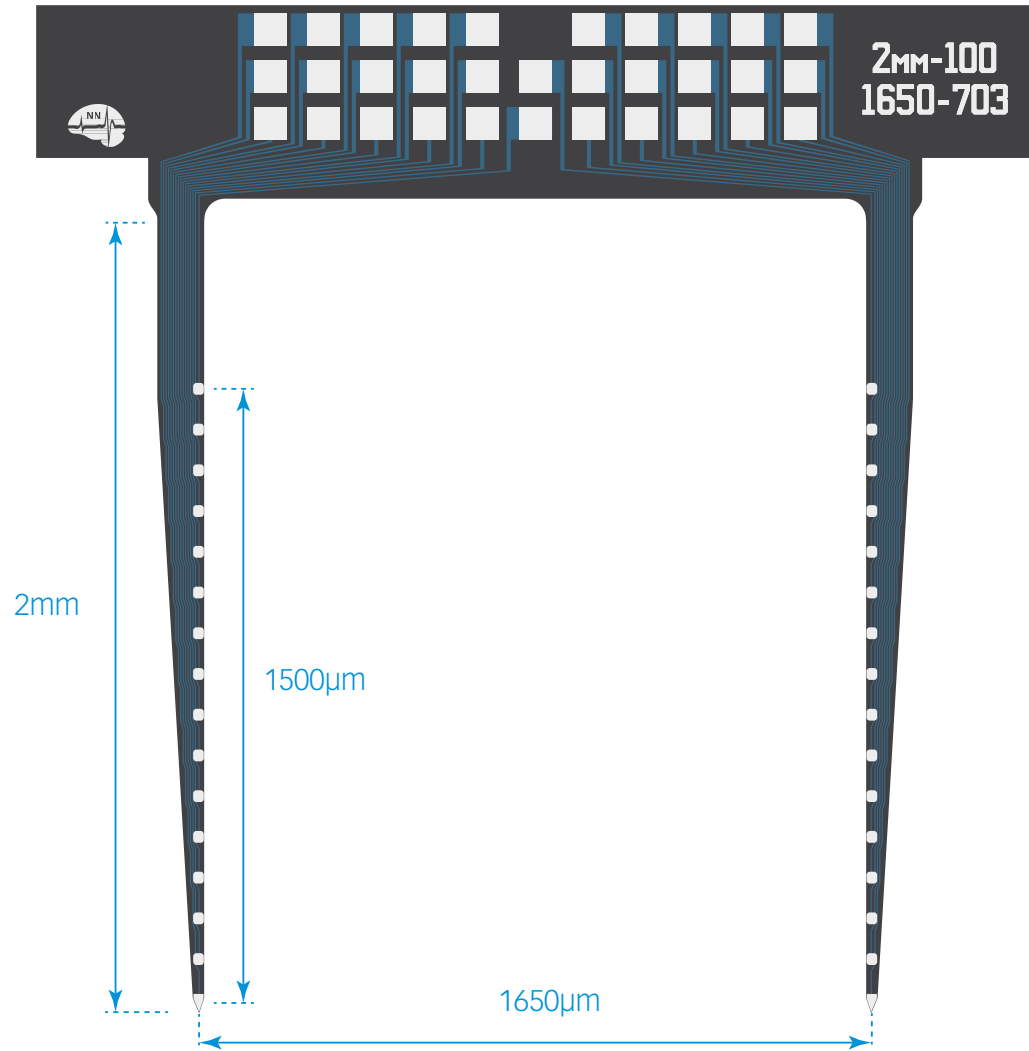
M4x8-Prox200-2mm- 200-400-177



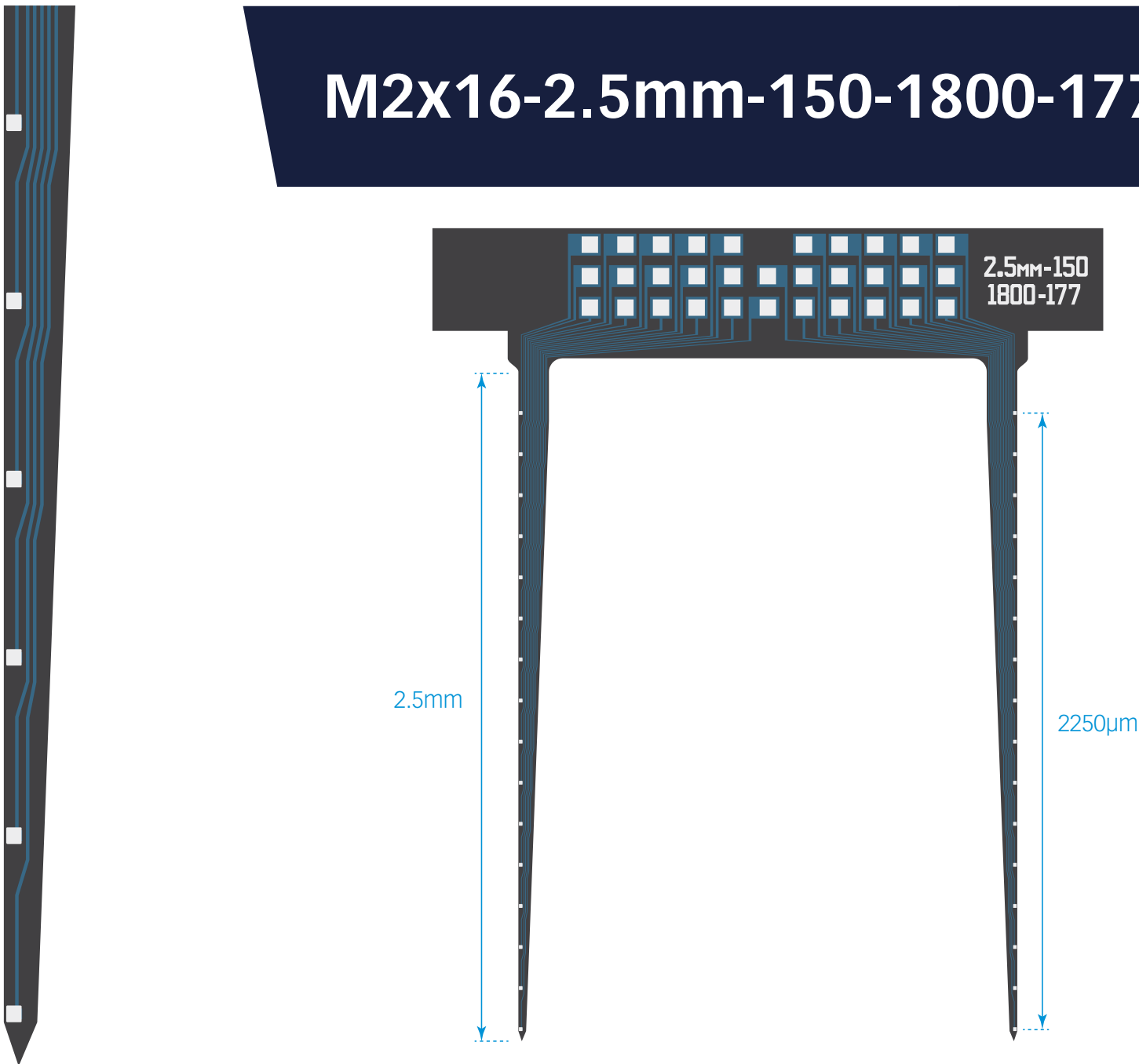
mBuzsaki-2mm



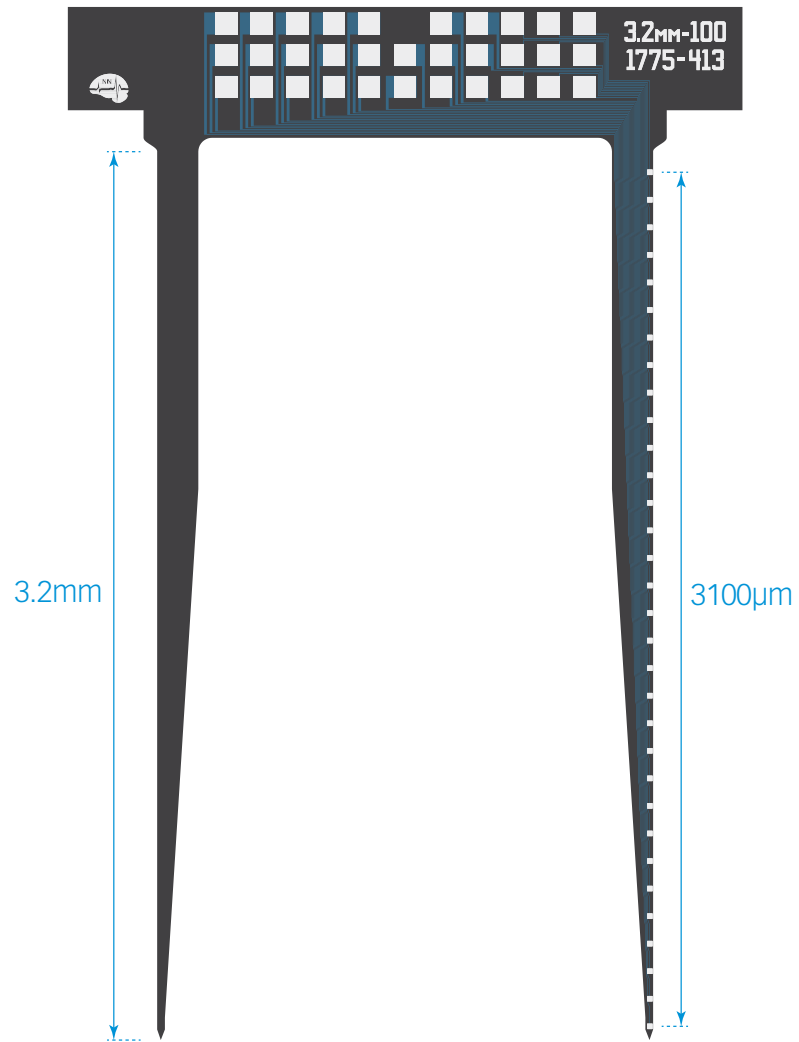
M2x16-2mm-100-1650-703



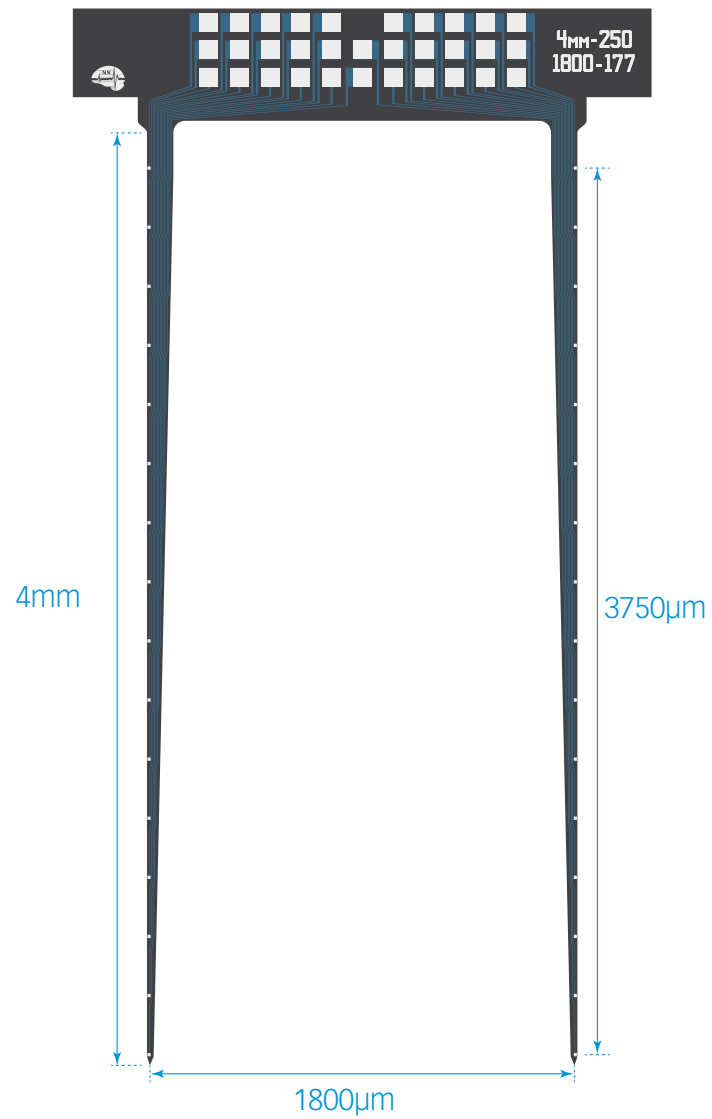
M2x16-2.5mm-150-1800-177



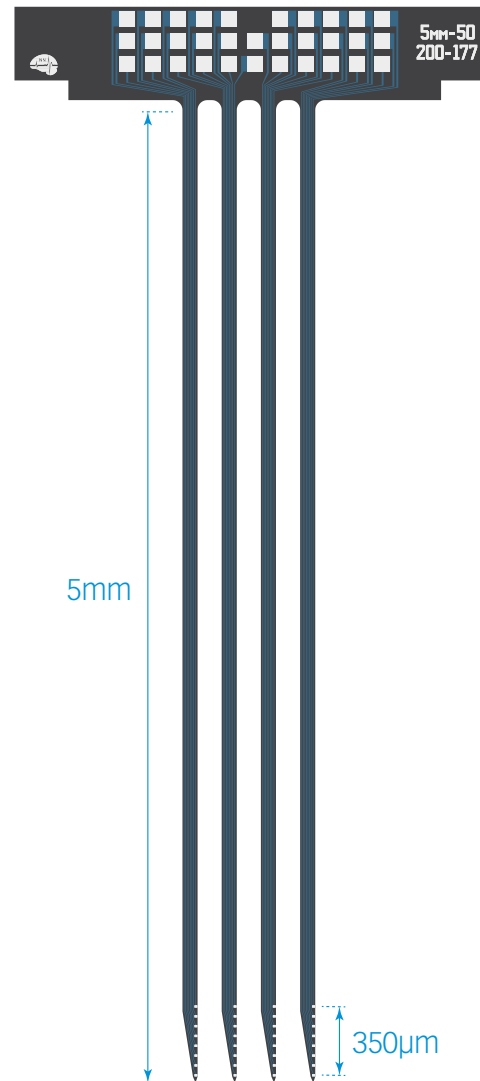
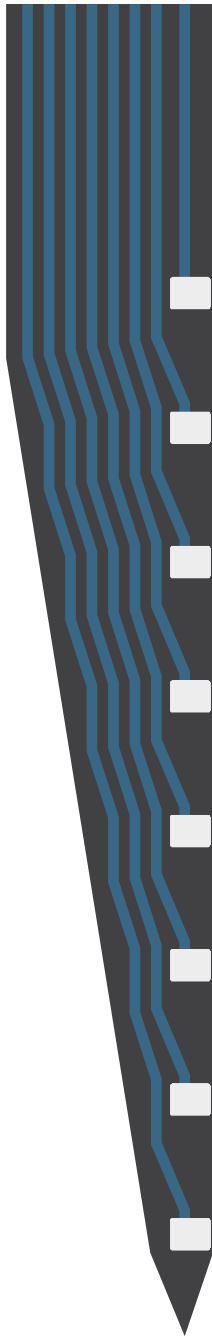
M1x32- Edge-3.2mm-100-1775-413



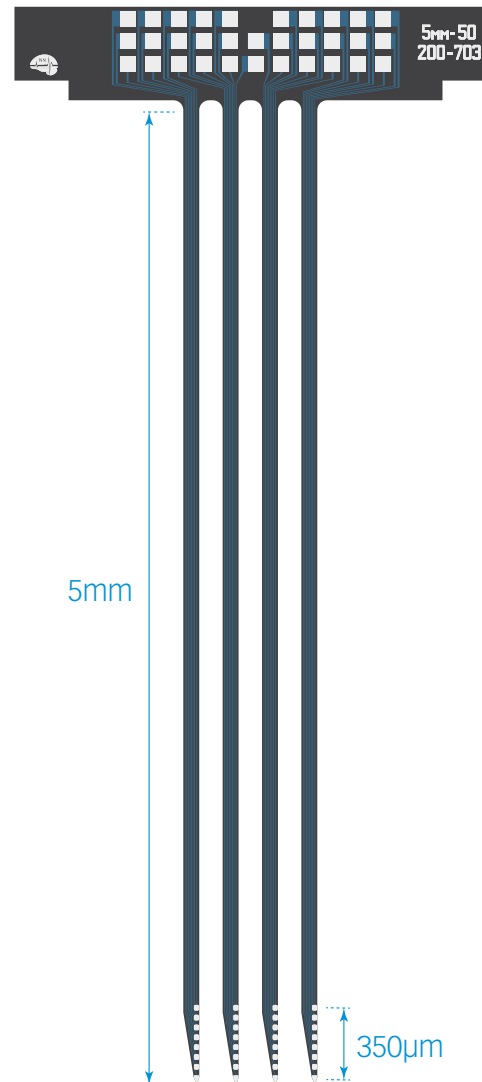
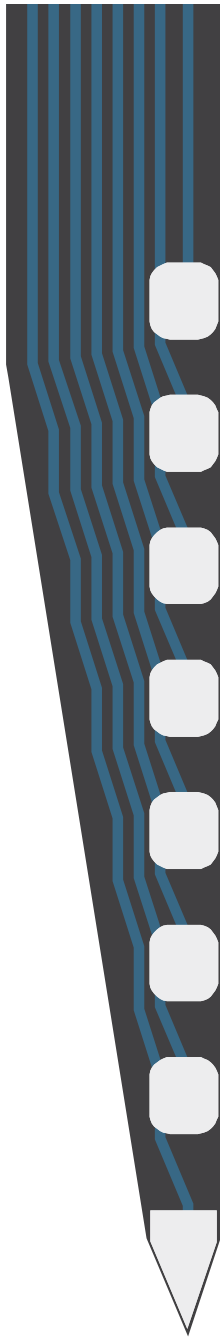
M2x16-4mm-250-1800-177



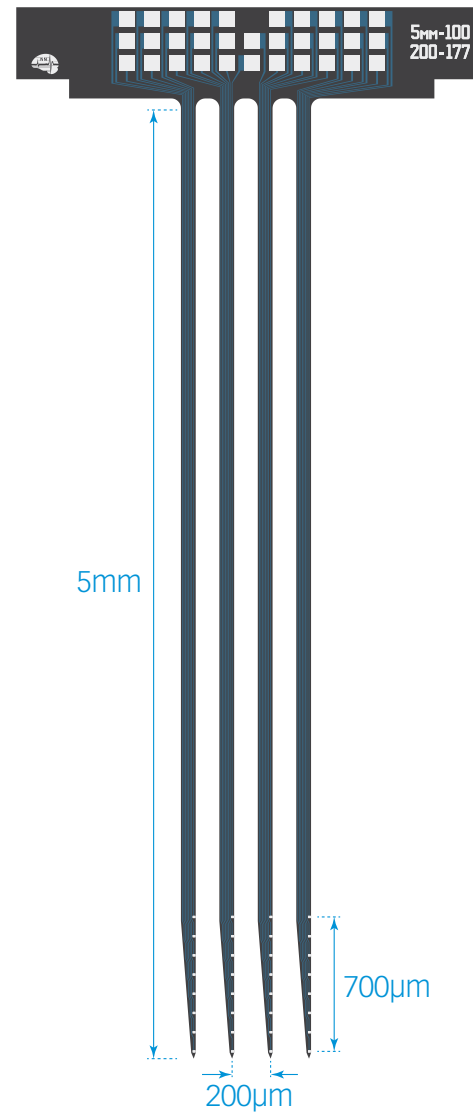
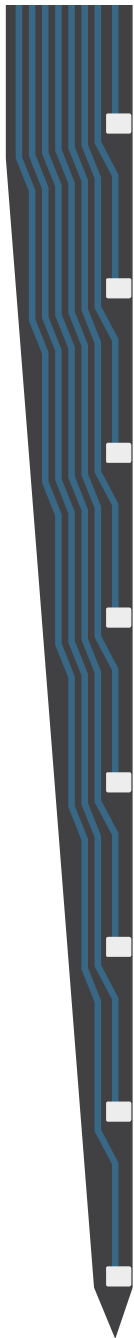
M4x8-5mm-50-200-177



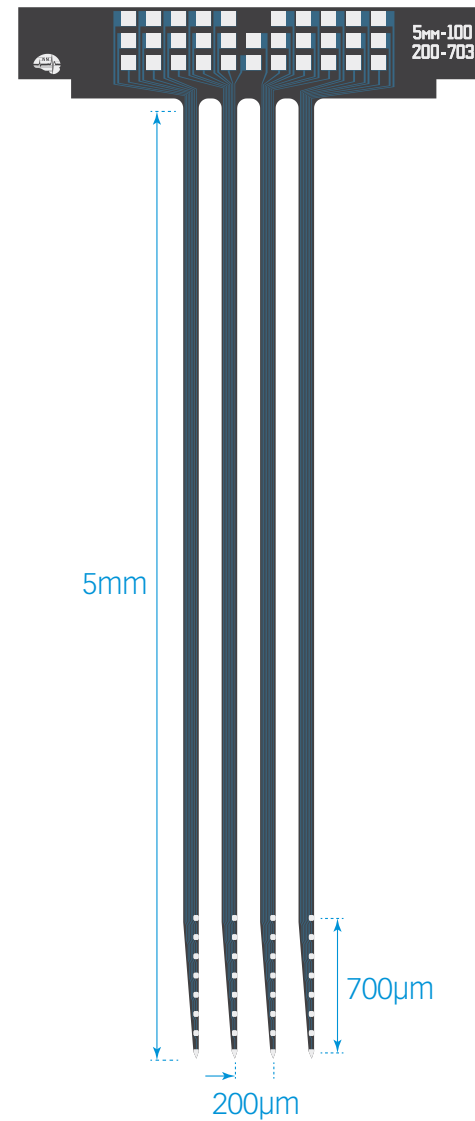
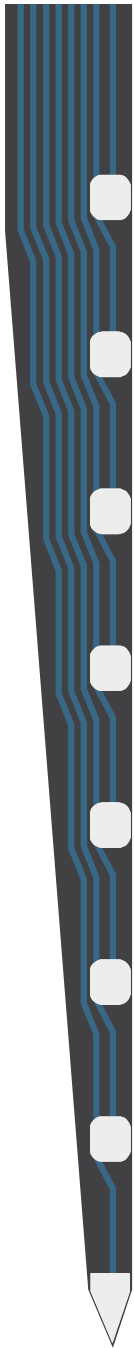
M4x8-5mm-50-200-703



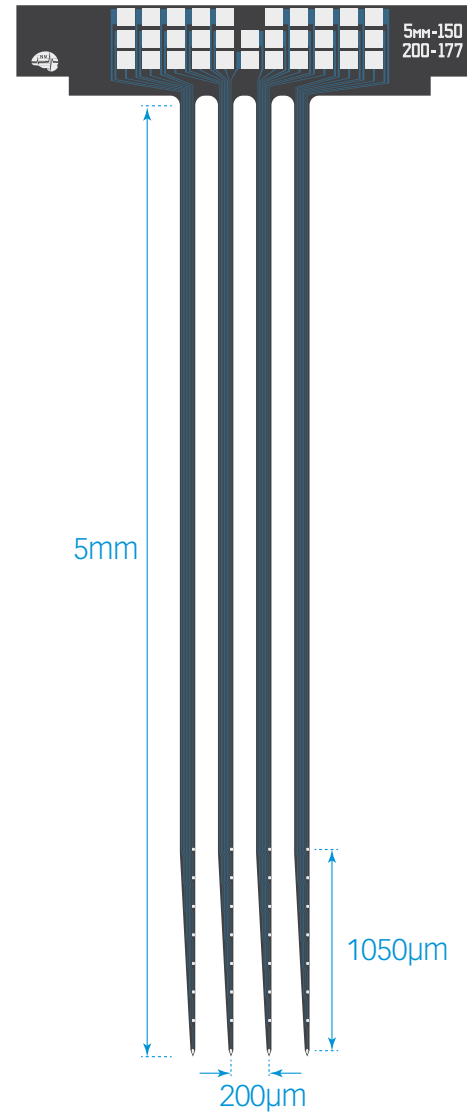
M4x8-5mm-100-200-177



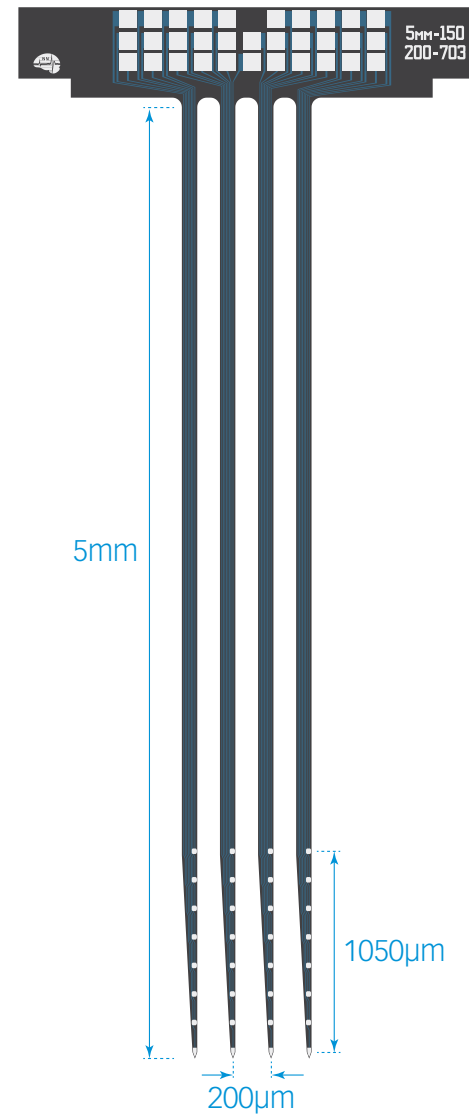
M4x8-5mm-100-200-703



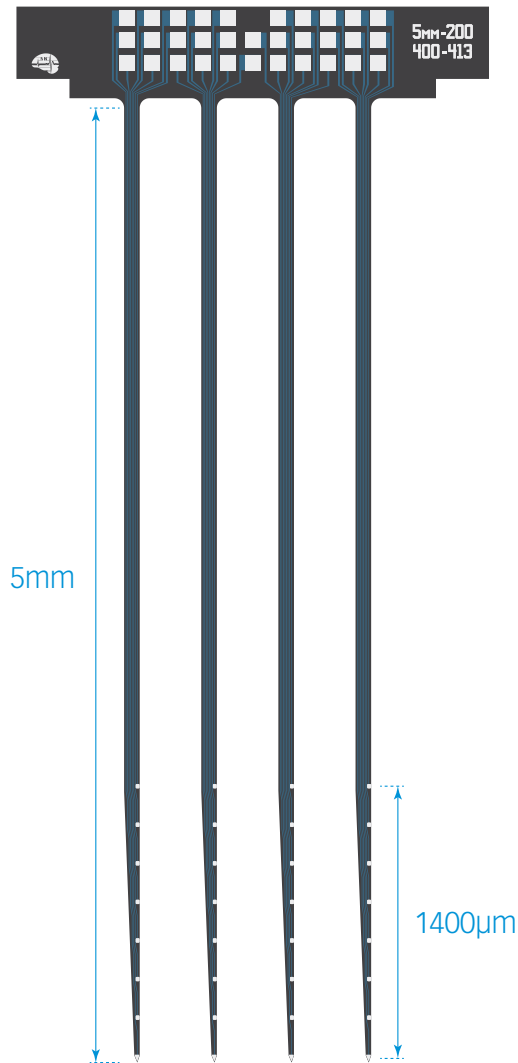
M4x8-5mm-150-200-177



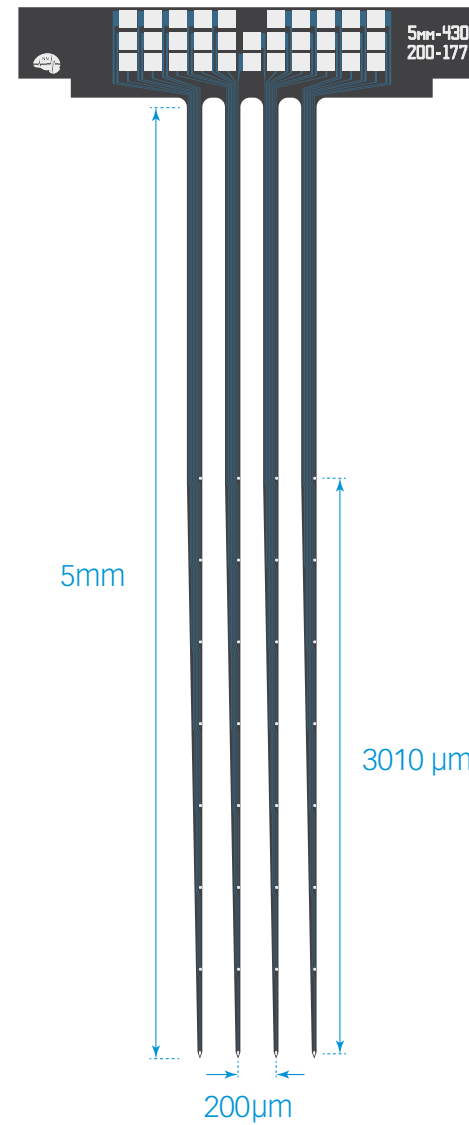
M4x8-5mm-150-200-703



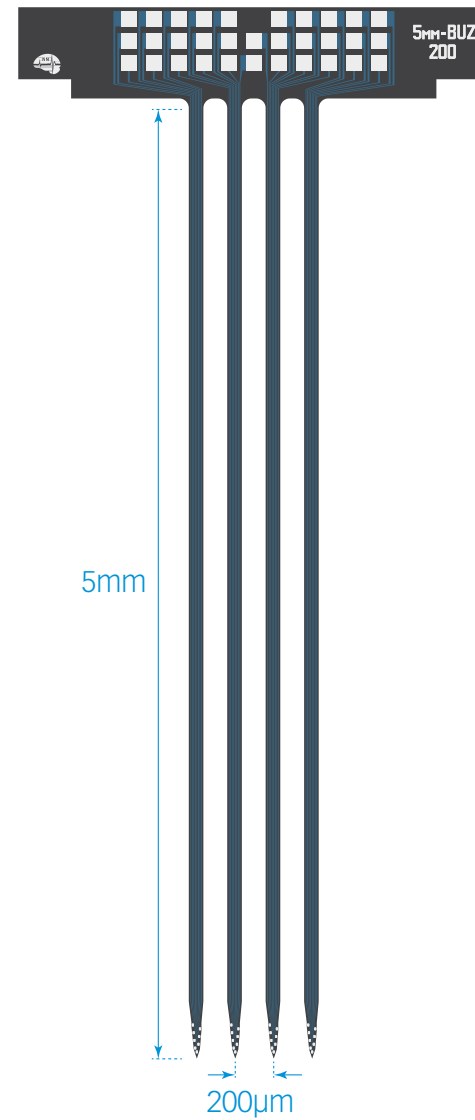
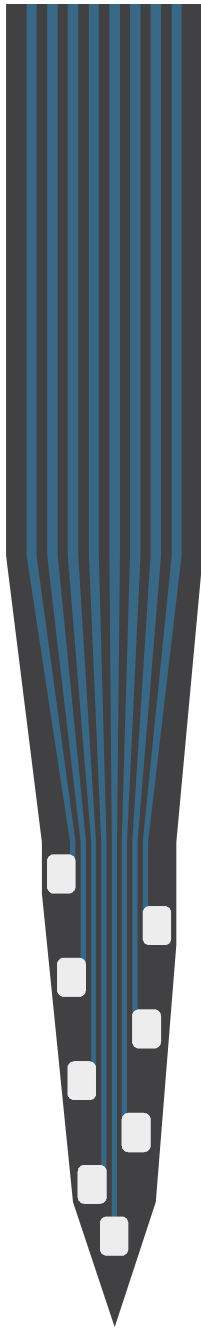
M4x8-5mm-200-400-413



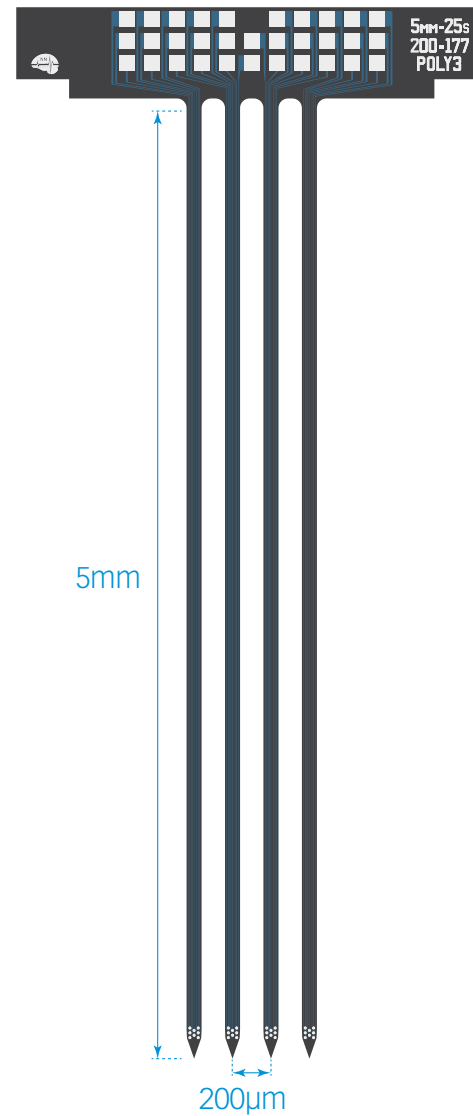
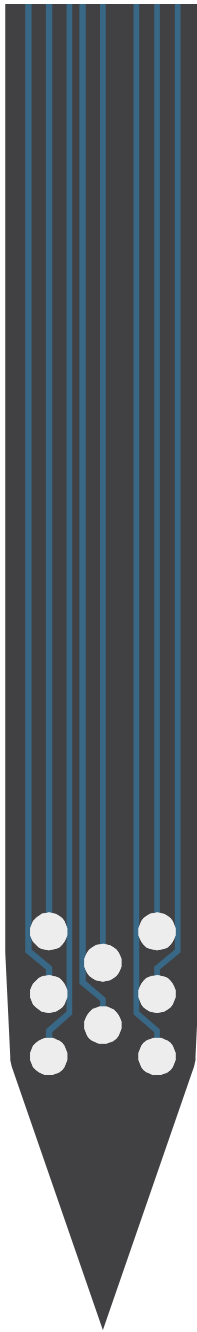
M4x8-5mm-430-200-177



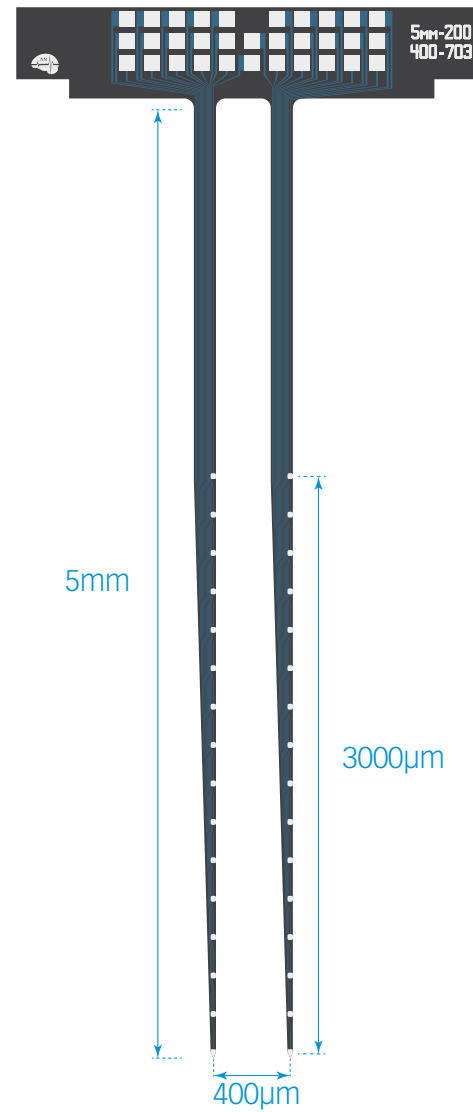
M4x8-5mm-buz-200



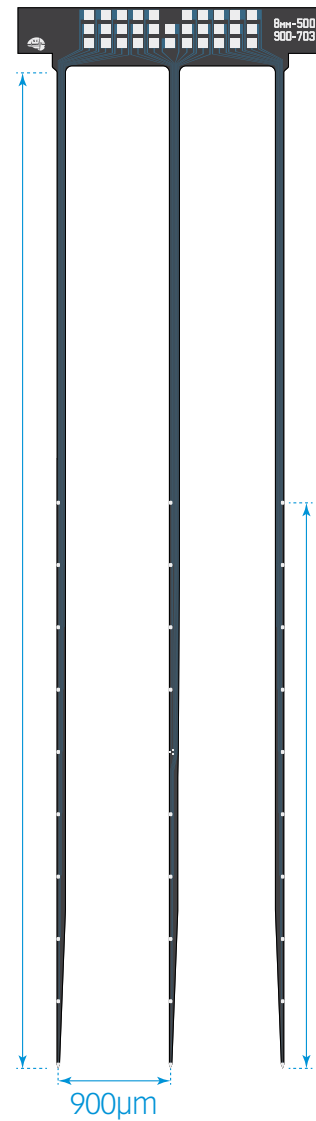
M4x8-poly3-5mm-25s-200-177



M2x16-5mm-200-400-703



M3x10-8mm-500-900-703



M4x8-10mm-100-200-703

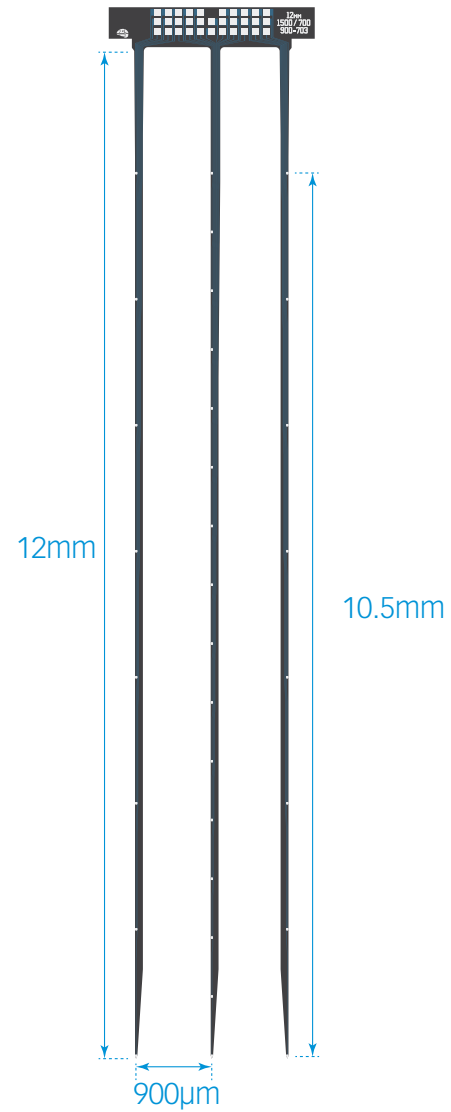


10mm

700µm

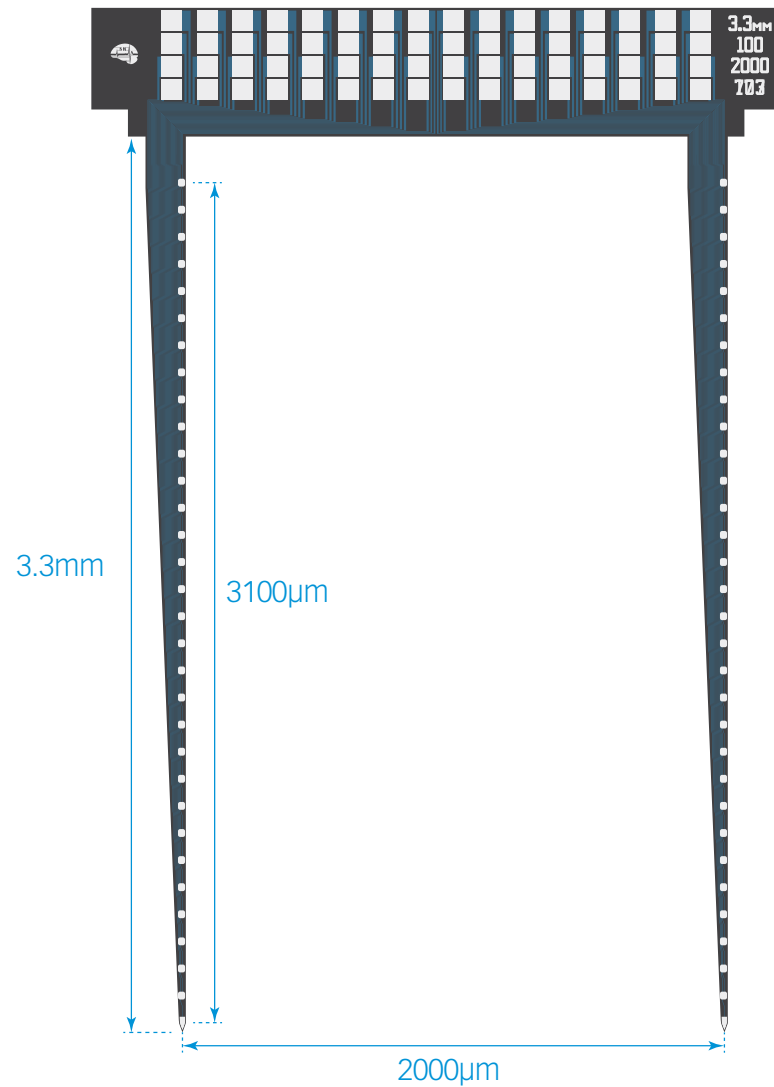
200µm

M3x8/16-12mm-15 00/700-900-703



M2x32-3.3mm-100-2000-177

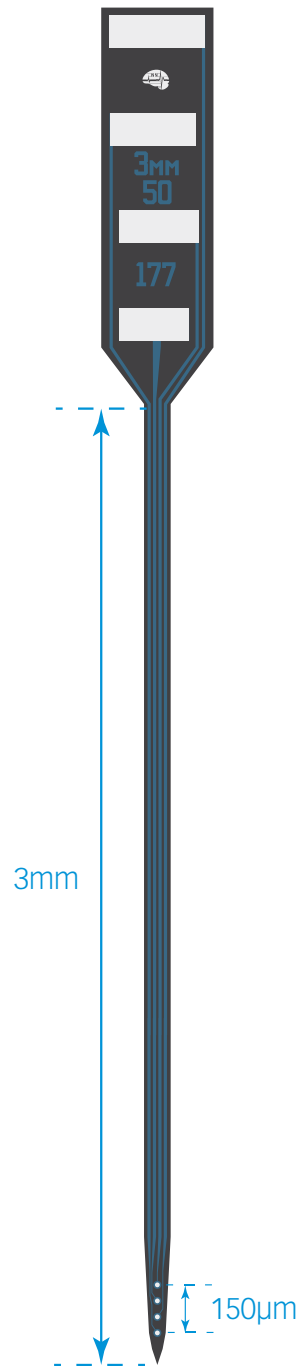
MATRIX 64



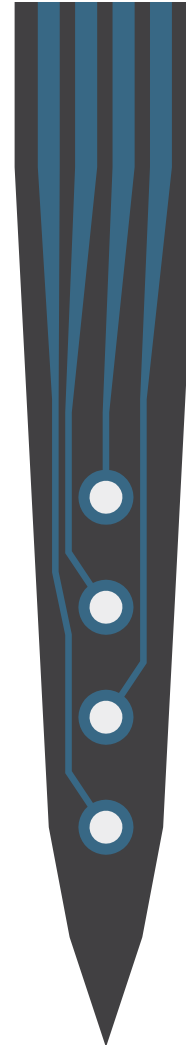


4- Channel Probes

Q1x4-3mm-50-177



TIP DETAIL



available packages

ACUTE
Q4

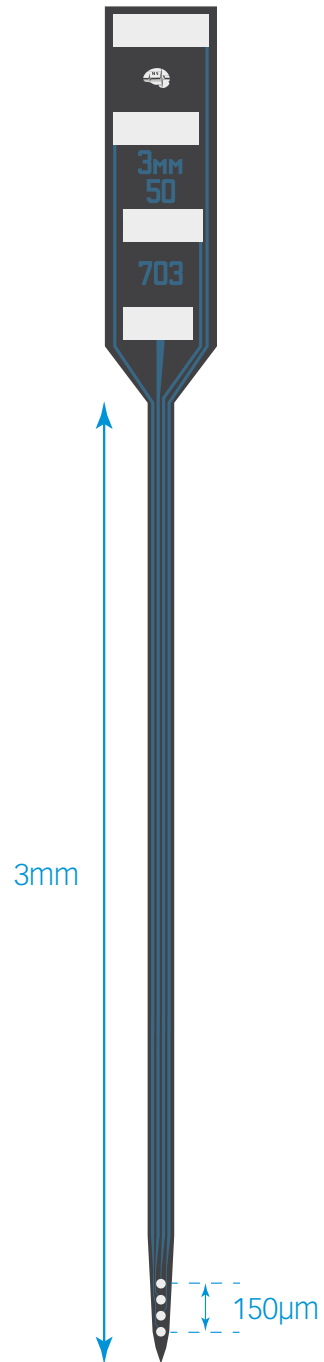
CHRONIC
CQ4
HQ4_21mm

OPTOGENETICS
OAQ4LP
OCQ4LP
OHQ4LP

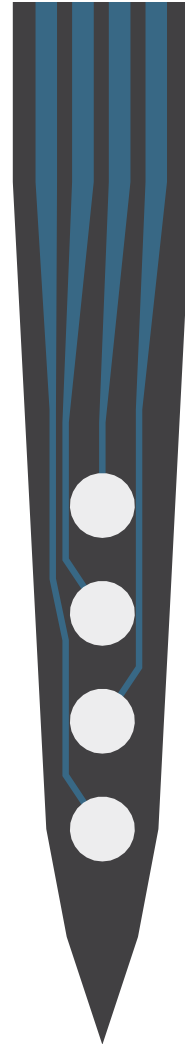
thickness

15 µm
50 µm

Q1x4-3mm-50-703



TIP DETAIL



available packages

ACUTE
Q4

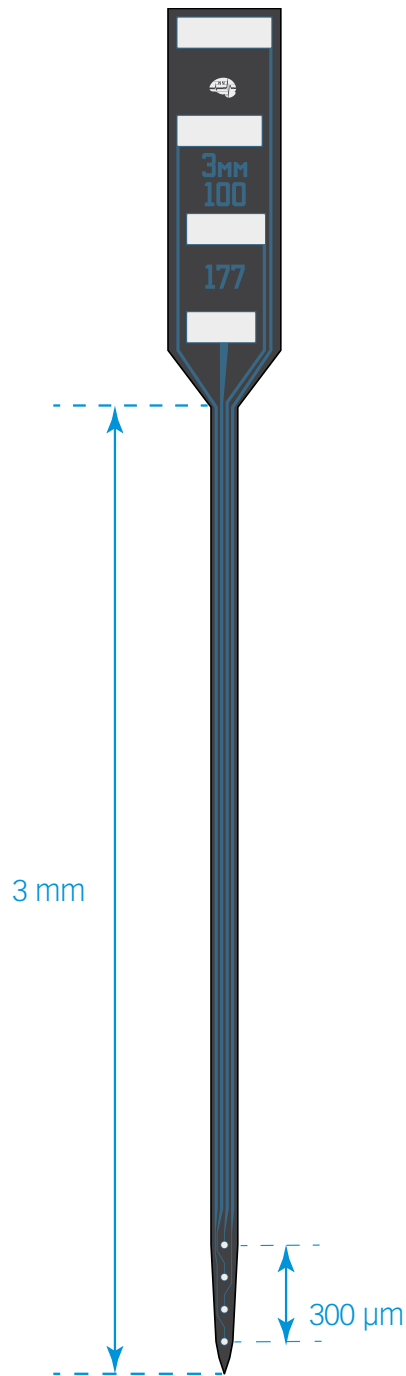
CHRONIC
CQ4
HQ4_21mm

OPTOGENETICS
OAQ4LP
OCQ4LP
OHQ4LP

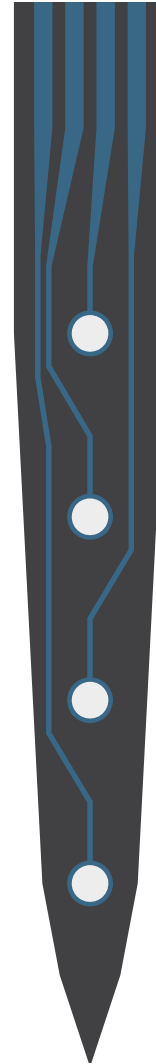
thickness

15 µm
50 µm

Q1x4-3mm-100-177



TIP DETAIL



available packages

ACUTE
Q4

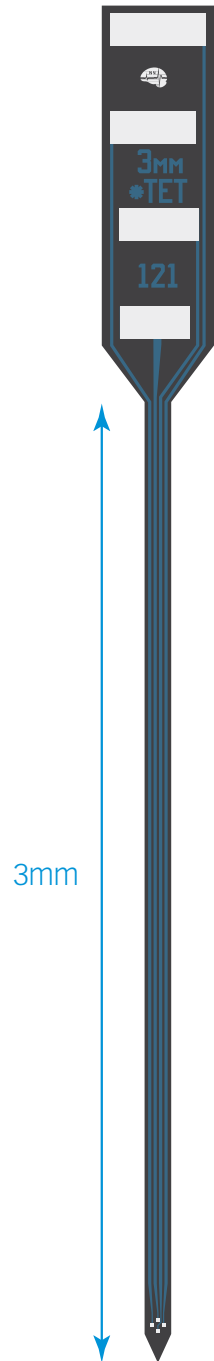
CHRONIC
CQ4
HQ4_21mm

OPTOGENETICS
OAQ4LP
OCQ4LP
OHQ4LP

thickness

15 μm
50 μm

Q1x1-tet-3mm-121



TIP DETAIL



available packages

ACUTE
Q4

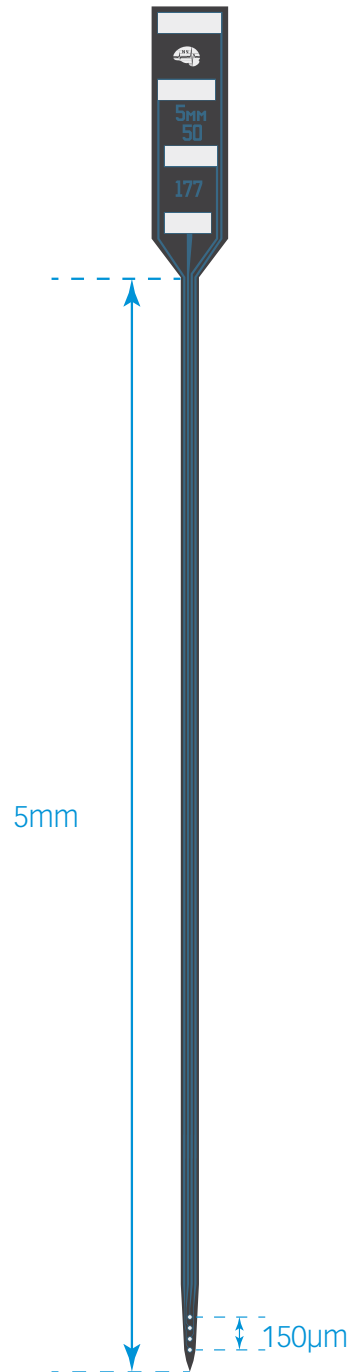
CHRONIC
CQ4
HQ4_21mm

OPTOGENETICS
O AQ4LP
O CQ4LP
O HQ4LP

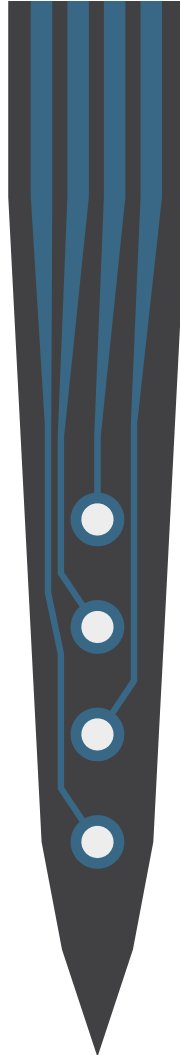
thickness

15 μm
50 μm

Q1x4-5mm-50-177



TIP DETAIL



available packages

ACUTE
Q4

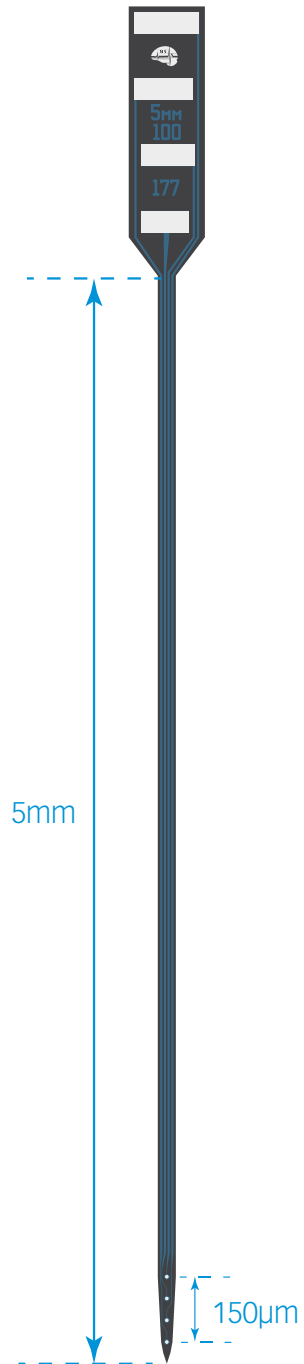
CHRONIC
CQ4
HQ4_21mm

OPTOGENETICS
O AQ4LP
OCQ4LP
OHQ4LP

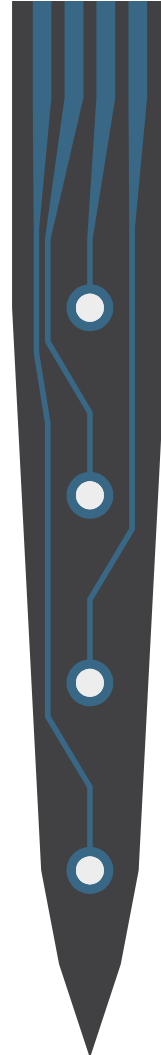
thickness

15 µm
50 µm

Q1x4-5mm-100-177



TIP DETAIL



available packages

ACUTE
Q4

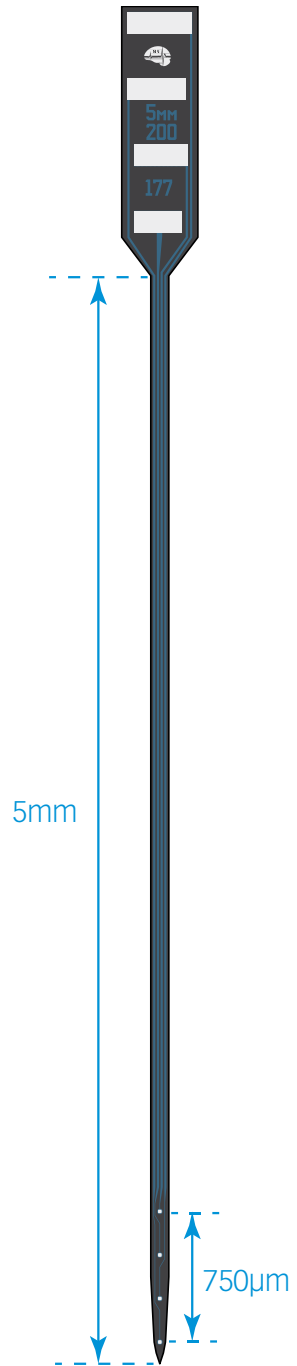
CHRONIC
CQ4
HQ4_21mm

OPTOGENETICS
OAQ4LP
OCQ4LP
OHQ4LP

thickness

15 µm
50 µm

Q1x4-5mm-200-177



TIP DETAIL



available packages

ACUTE
Q4

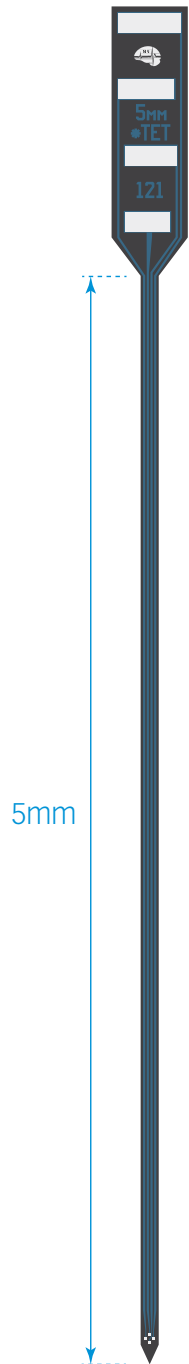
CHRONIC
CQ4
HQ4_21mm

OPTOGENETICS
OAQ4LP
OCQ4LP
OHQ4LP

thickness

15 µm
50 µm

Q1x1-tet-5mm-121



TIP DETAIL



available packages

ACUTE
Q4

CHRONIC
CQ4
HQ4_21mm

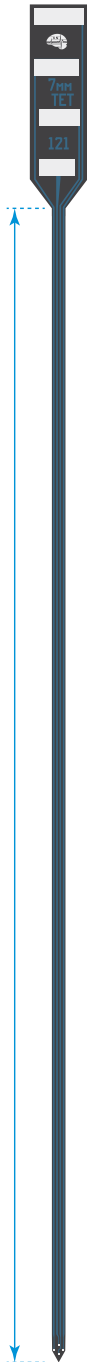
OPTOGENETICS
O AQ4LP
O CQ4LP
O HQ4LP

thickness

15 μm
50 μm

Q1x1-40-tet-7mm-121

7mm



TIP DETAIL



available packages

ACUTE
Q4

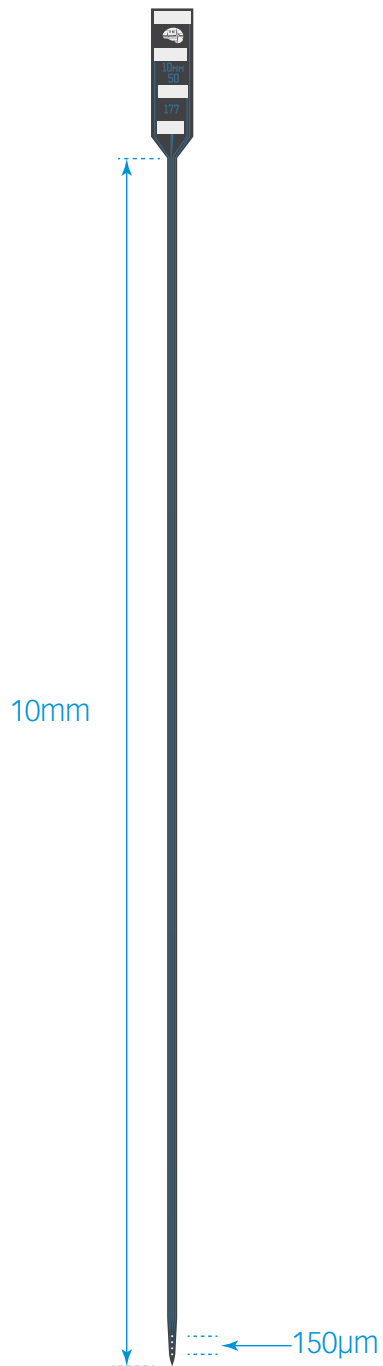
CHRONIC
CQ4
HQ4_21mm

OPTOGENETICS
O AQ4LP
O CQ4LP
O HQ4LP

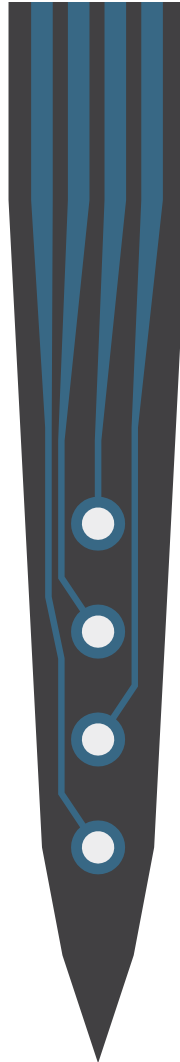
thickness

50 μ m

Q1x4-10mm-50-177



TIP DETAIL



available packages

ACUTE
Q4

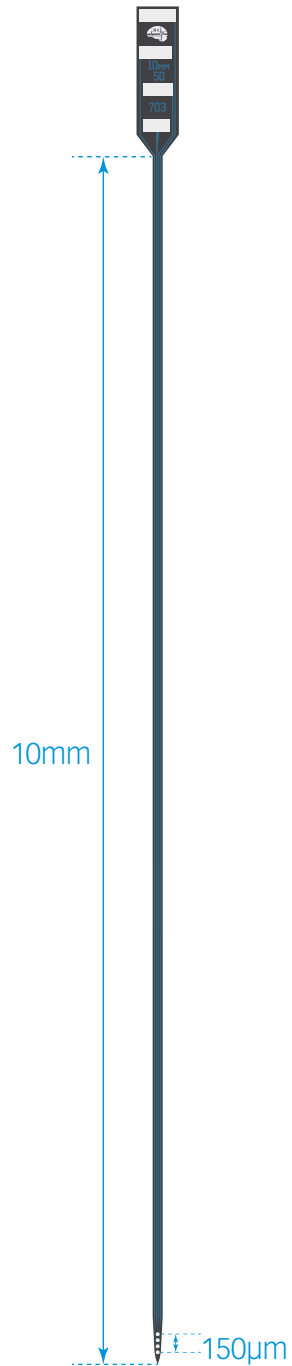
CHRONIC
CQ4
HQ4_21mm

OPTOGENETICS
OAQ4LP
OCQ4LP
OHQ4LP

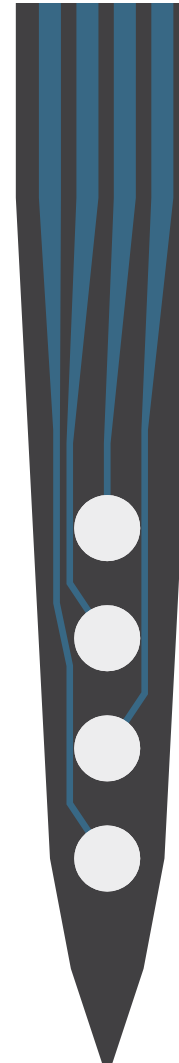
thickness

50 µm

Q1x4-10mm-50-703



TIP DETAIL



available packages

ACUTE
Q4

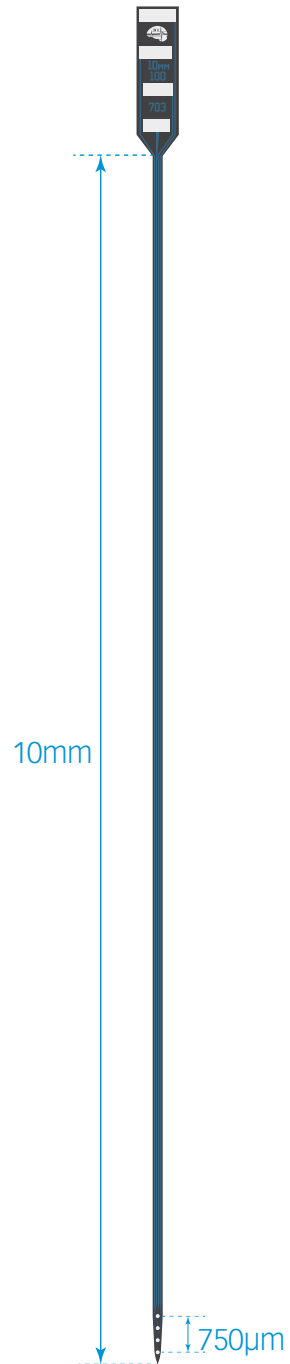
CHRONIC
CQ4
HQ4_21mm

OPTOGENETICS
O AQ4LP
O CQ4LP
O HQ4LP

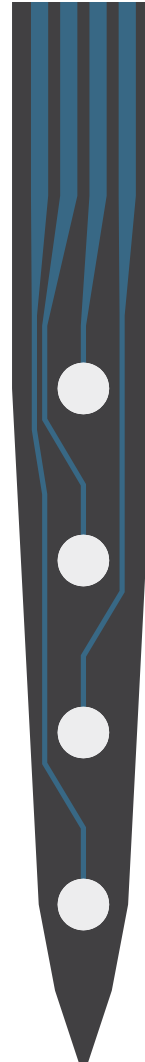
thickness

50 µm

Q1x4-10mm-100-703



TIP DETAIL



available packages

ACUTE
Q4

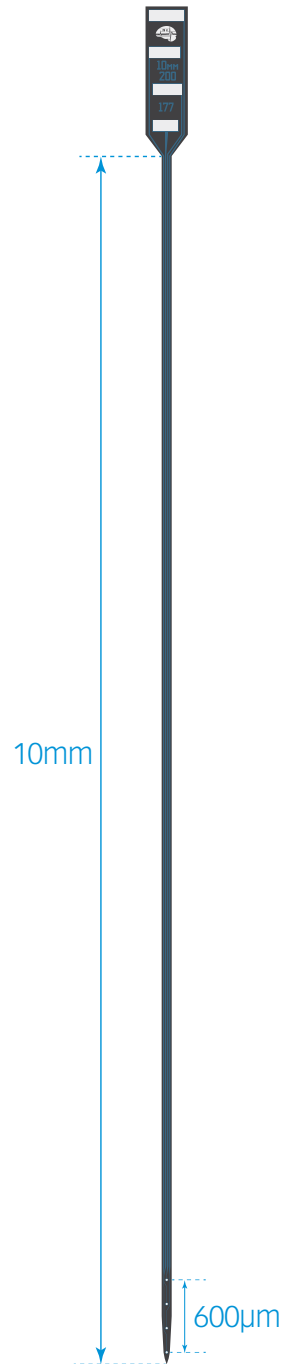
CHRONIC
CQ4
HQ4_21mm

OPTOGENETICS
OAQ4LP
OCQ4LP
OHQ4LP

thickness

50 µm

Q1x4-10mm-200-177



TIP DETAIL



available packages

ACUTE
Q4

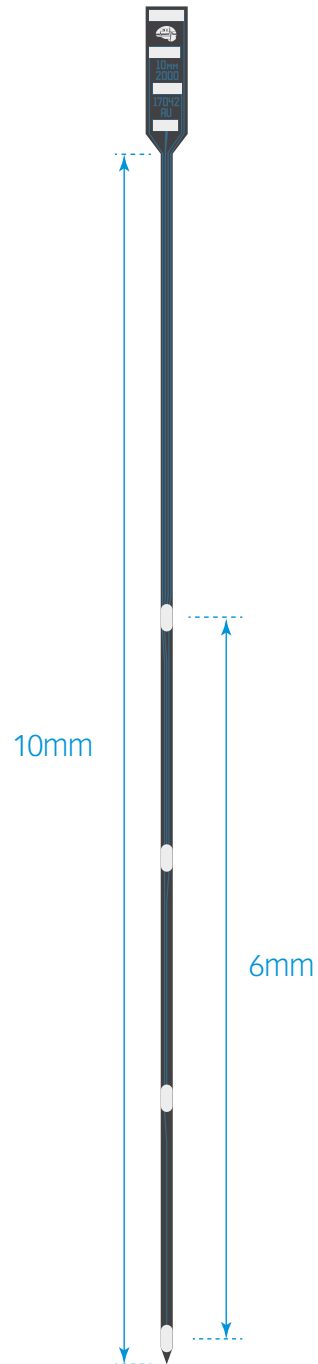
CHRONIC
CQ4
HQ4_21mm

OPTOGENETICS
OAQ4LP
OCQ4LP
OHQ4LP

thickness

50 µm

A1x4-10mm-2000-17042-Au



TIP DETAIL



available packages

ACUTE
Q4

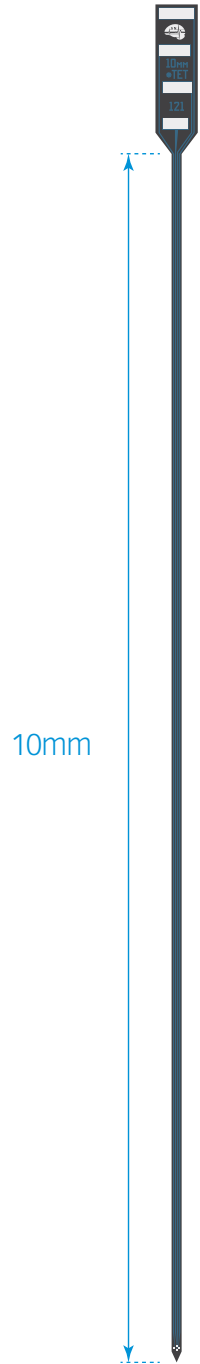
CHRONIC
CQ4
HQ4_21mm

OPTOGENETICS
OAQ4LP
OCQ4LP
OHQ4LP

thickness

15 μm
50 μm

Q1x1-tet-10mm-121



TIP DETAIL



available packages

ACUTE
Q4

CHRONIC
CQ4
HQ4_21mm

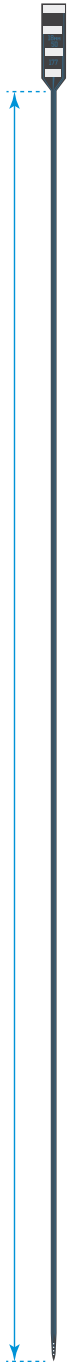
OPTOGENETICS
OAQ4LP
OCQ4LP
OHQ4LP

thickness

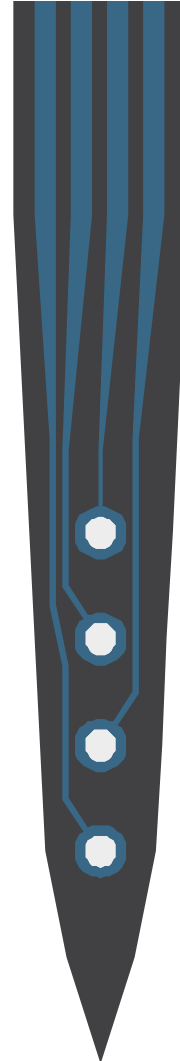
50 μm

Q1x4-18mm-50-177

18mm



TIP DETAIL



available packages

ACUTE
Q4

CHRONIC
CQ4
HQ4_21mm

OPTOGENETICS
OAQ4LP
OCQ4LP
OHQ4LP

thickness

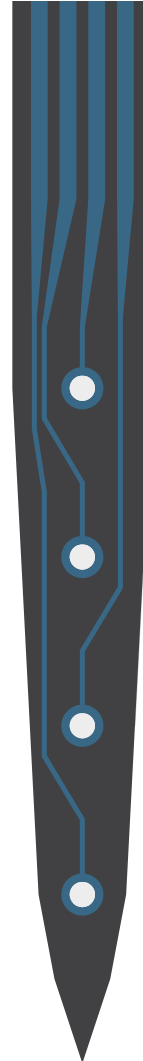
50 μ m

Q1x4-18mm-100-177

18mm



TIP DETAIL



available packages

ACUTE
Q4

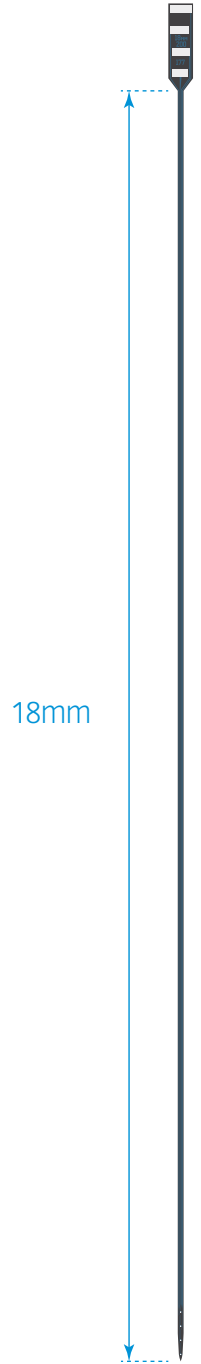
CHRONIC
CQ4
HQ4_21mm

OPTOGENETICS
O AQ4LP
O CQ4LP
O HQ4LP

thickness

50 μ m

Q1x4-18mm-200-177



TIP DETAIL



available packages

ACUTE
Q4

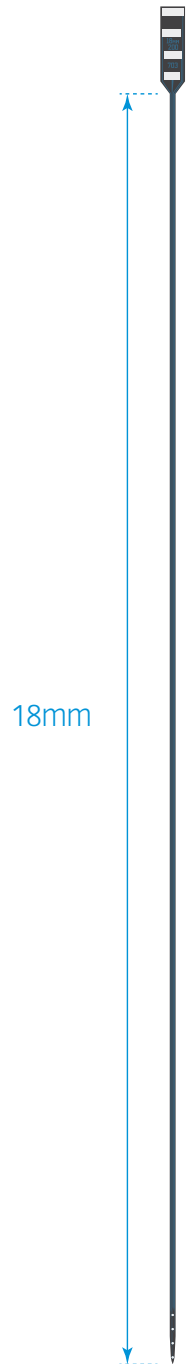
CHRONIC
CQ4
HQ4_21mm

OPTOGENETICS
OAQ4LP
OCQ4LP
OHQ4LP

thickness

50 μm

Q1x4-18mm-200-703



TIP DETAIL



available packages

ACUTE
Q4

CHRONIC
CQ4
HQ4_21mm

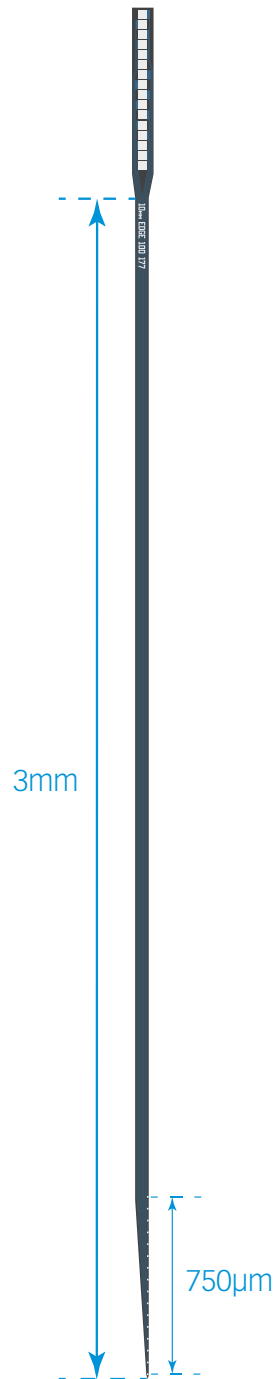
OPTOGENETICS
OAQ4LP
OCQ4LP
OHQ4LP

thickness
50 μm



Vector Probes

V1x16-Edge-10mm-100-177



TIP DETAIL



available packages

ACUTE

V16_60_50
V16_100_50
VZ16_60_50
VZ16_100_50

CHRONIC

VC16
VZC16

OPTOGENETICS

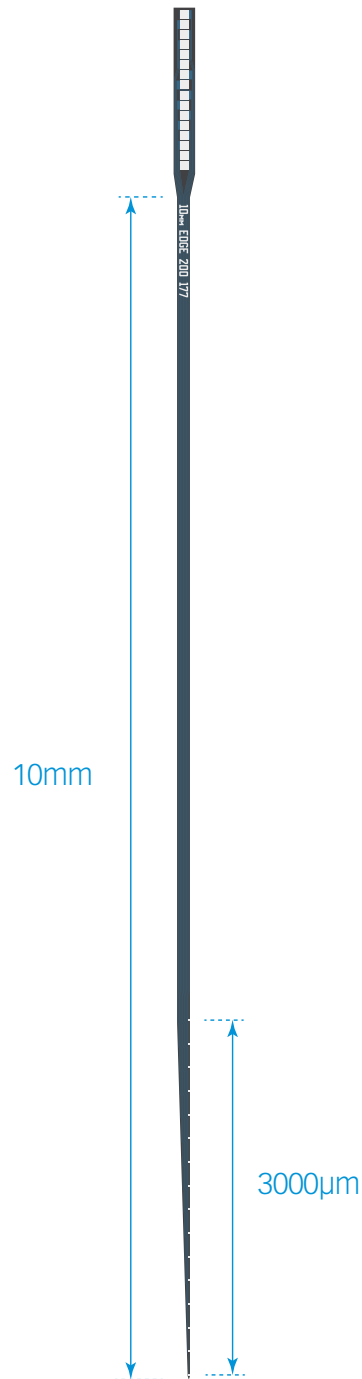
OV16_60_50
OV16_100_50

(Package_Length_
Thickness)

thickness

50 µm

V1x16-Edge-10mm-200-177



TIP DETAIL



available packages

ACUTE

V16_60_50
V16_100_50
VZ16_60_50
VZ16_100_50

CHRONIC

VC16
VZC16

OPTOGENETICS

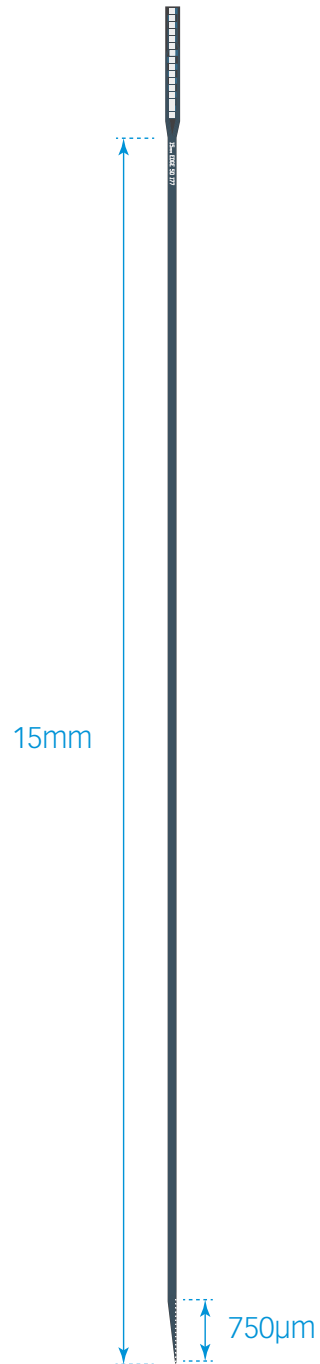
OV16_60_50
OV16_100_50

(Package_Length_Thickness)

thickness

50 µm

V1x16-Edge-15mm-50-177



TIP DETAIL



available packages

ACUTE

V16_60_50
V16_100_50
VZ16_60_50
VZ16_100_50

CHRONIC

VC16
VZC16

OPTOGENETICS

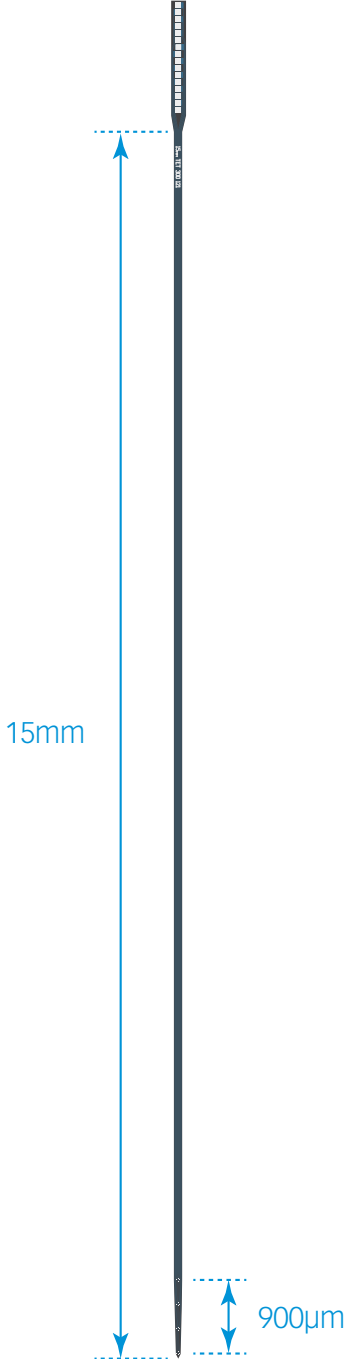
OV16_60_50
OV16_100_50

(Package_Length_Thickness)

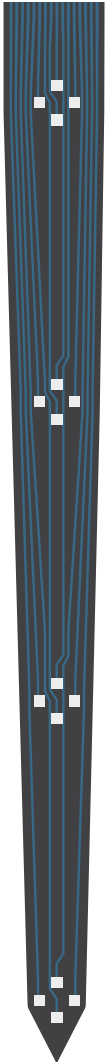
thickness

50 µm

V1x4-tet-15mm-300-121



TIP DETAIL



available packages

ACUTE
V16_60_50
V16_100_50
VZ16_60_50
VZ16_100_50

CHRONIC
VC16
VZC16

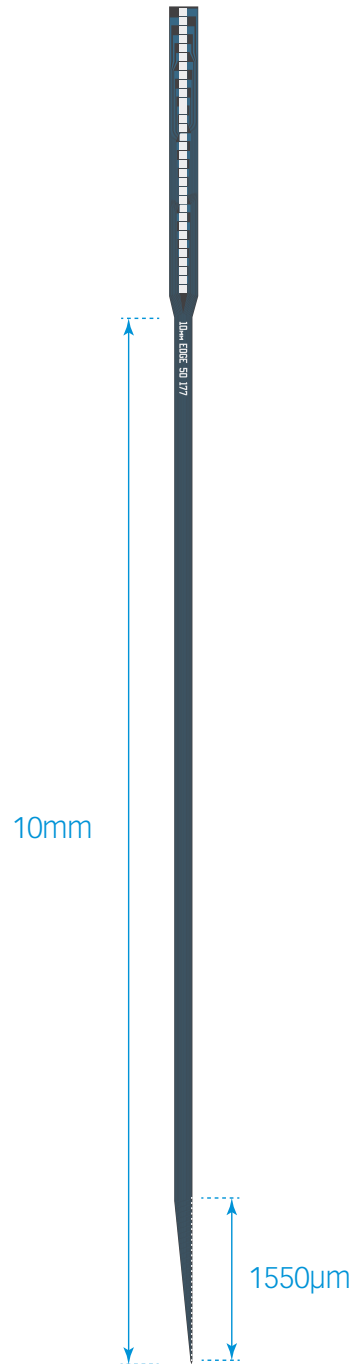
OPTOGENETICS
OV16_60_50
OV16_100_50

(Package_Length_Thickness)

thickness

50 µm

V1x32-Edge-10mm-50-177



TIP DETAIL



available packages

ACUTE

V32_60_50
V32_100_50
VZ32_60_50
VZ32_100_50

CHRONIC

VC32
VZC32

OPTOGENETICS

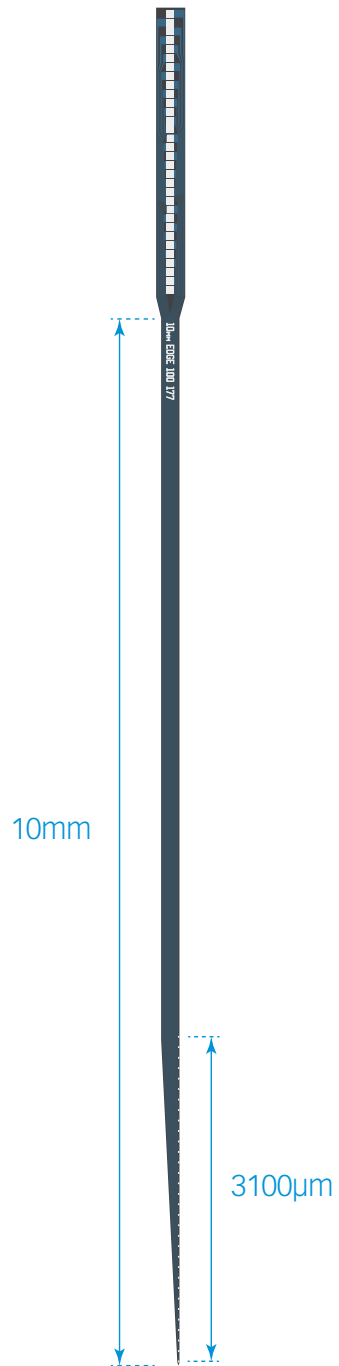
OV32_60_50
OV32_100_50

(Package_Length_Thickness)

thickness

50 µm

V1x32-Edge-10mm-100-177



TIP DETAIL



available packages

ACUTE

V32_60_50
V32_100_50
VZ32_60_50
VZ32_100_50

CHRONIC

VC32
VZC32

OPTOGENETICS

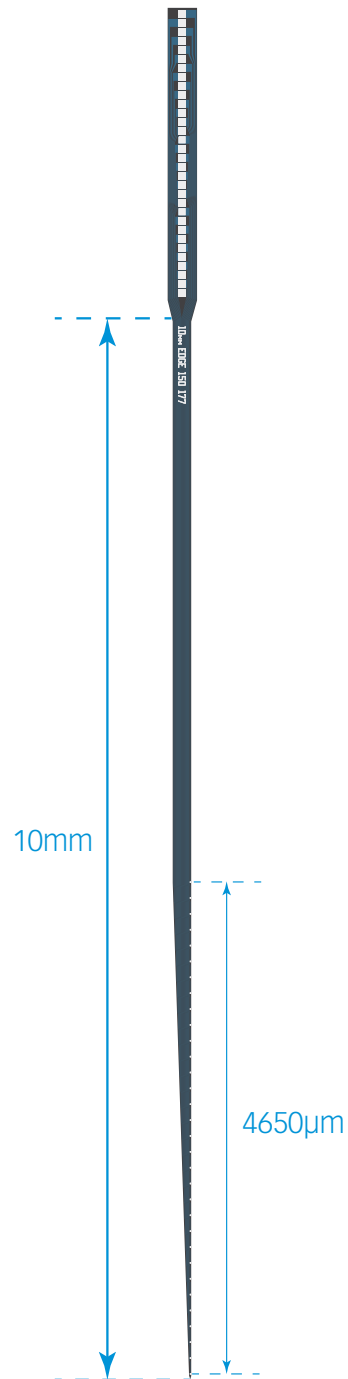
OV32_60_50
OV32_100_50

(Package_Length_
Thickness)

thickness

50 µm

V1x32-Edge-10mm-150-177



TIP DETAIL



available packages

ACUTE

V32_60_50
V32_100_50
VZ32_60_50
VZ32_100_50

CHRONIC

VC32
VZC32

OPTOGENETICS

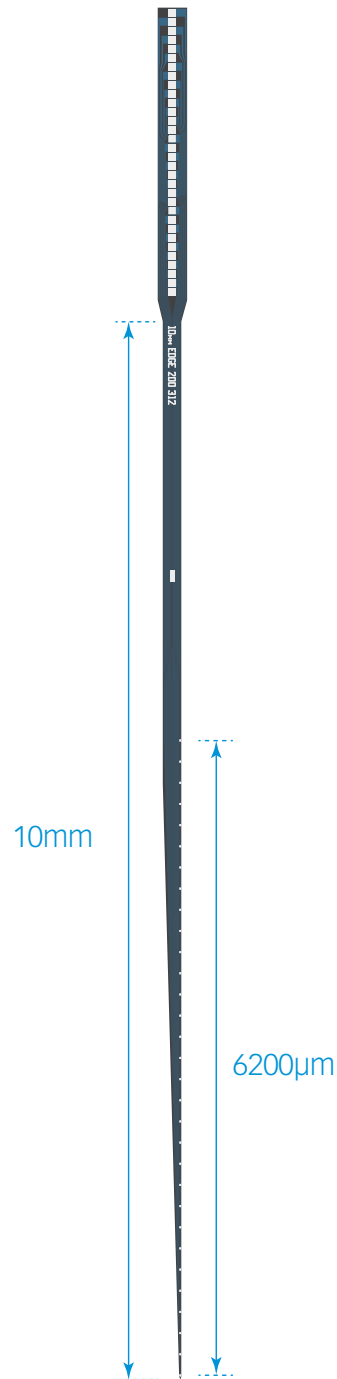
OV32_60_50
OV32_100_50

(Package_Length_
Thickness)

thickness

50 µm

V1x32-Edge-10mm-200-312-ref-sp



TIP DETAIL



available packages

ACUTE

V32_60_50
V32_100_50
VZ32_60_50
VZ32_100_50

CHRONIC

VC32
VZC32

OPTOGENETICS

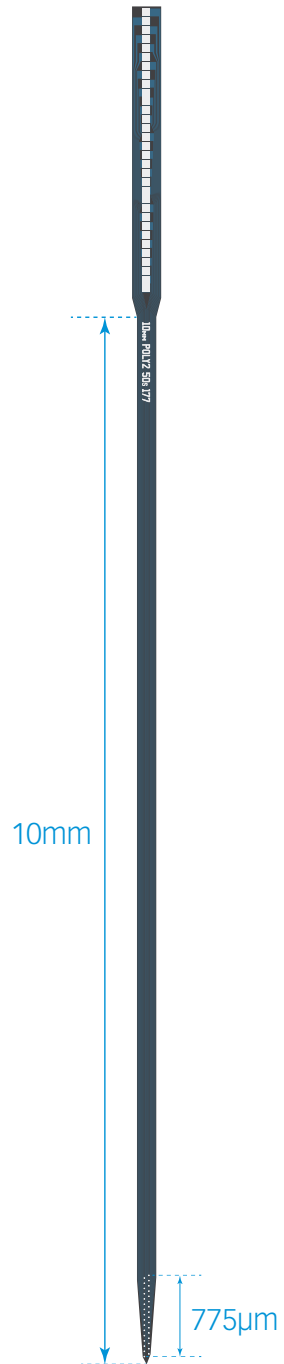
OV32_60_50
OV32_100_50

(Package_Length_Thickness)

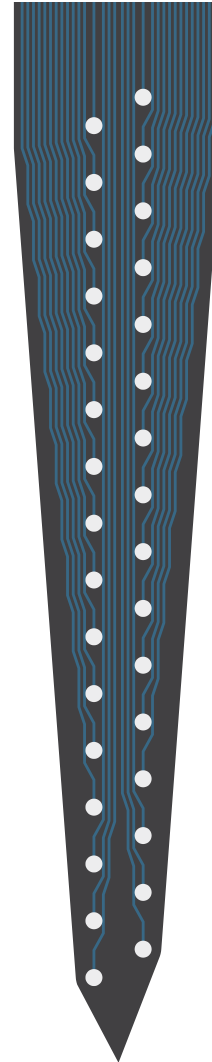
thickness

50 µm

V1x32-Poly2-10mm-50s-177



TIP DETAIL



available packages

ACUTE

V32_60_50
V32_100_50
VZ32_60_50
VZ32_100_50

CHRONIC

VC32
VZC32

OPTOGENETICS

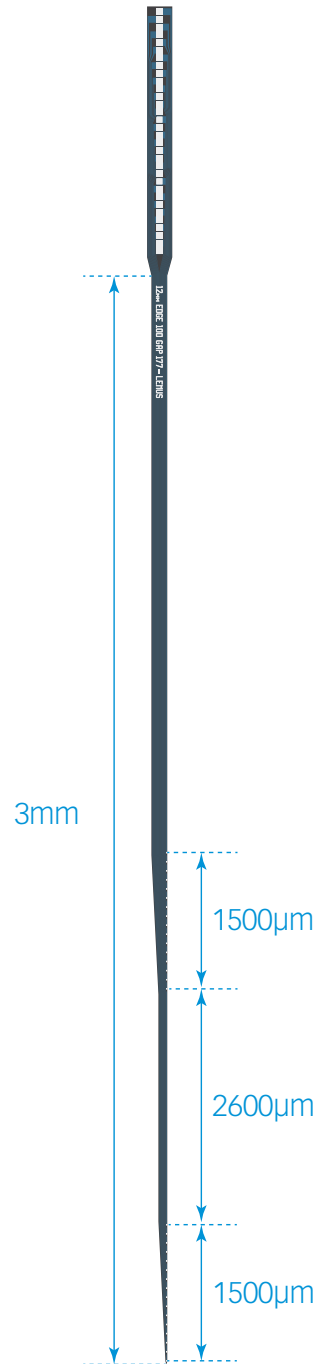
OV32_60_50
OV32_100_50

(Package_Length_
Thickness)

thickness

50 µm

(Lemus) V1x32- Edge-12mm-100-2.6gap-177



TIP DETAIL



available packages

ACUTE

V32_60_50
V32_100_50
VZ32_60_50
VZ32_100_50

CHRONIC

VC32
VZC32

OPTOGENETICS

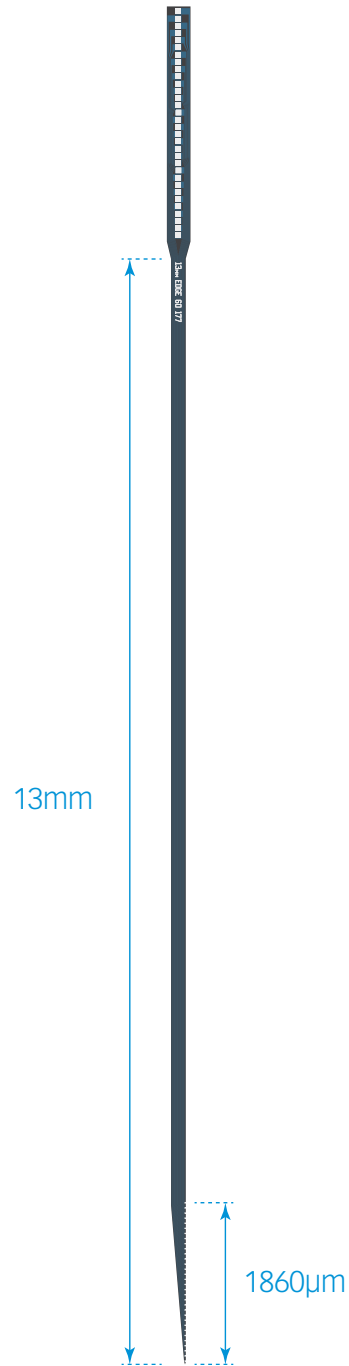
OV32_60_50
OV32_100_50

(Package_Length_Thickness)

thickness

50 µm

V1x32-Edge-13mm-60-177



TIP DETAIL



available packages

ACUTE

V32_60_50
V32_100_50
VZ32_60_50
VZ32_100_50

CHRONIC

VC32
VZC32

OPTOGENETICS

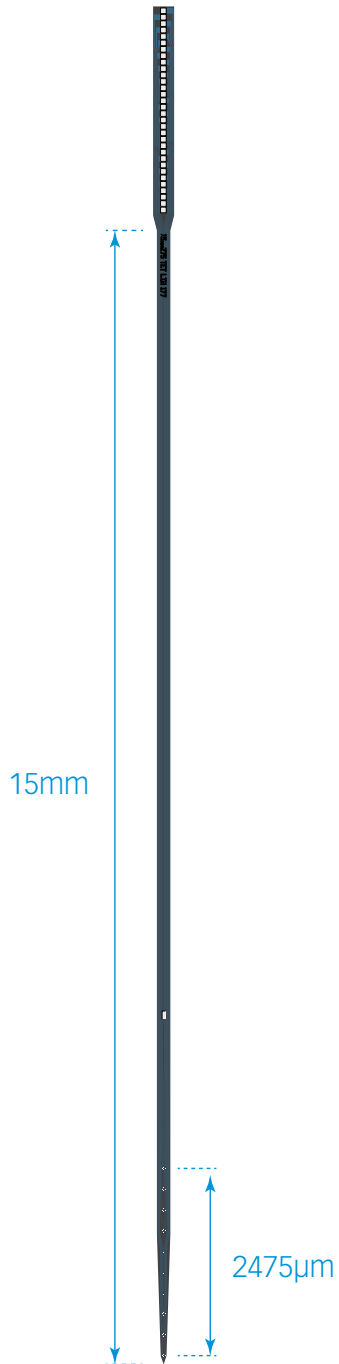
OV32_60_50
OV32_100_50

(Package_Length_
Thickness)

thickness

50 µm

V1x32-15mm-275-tet-177



TIP DETAIL



available packages

ACUTE

V32_60_50
V32_100_50
VZ32_60_50
VZ32_100_50

CHRONIC

VC32
VZC32

OPTOGENETICS

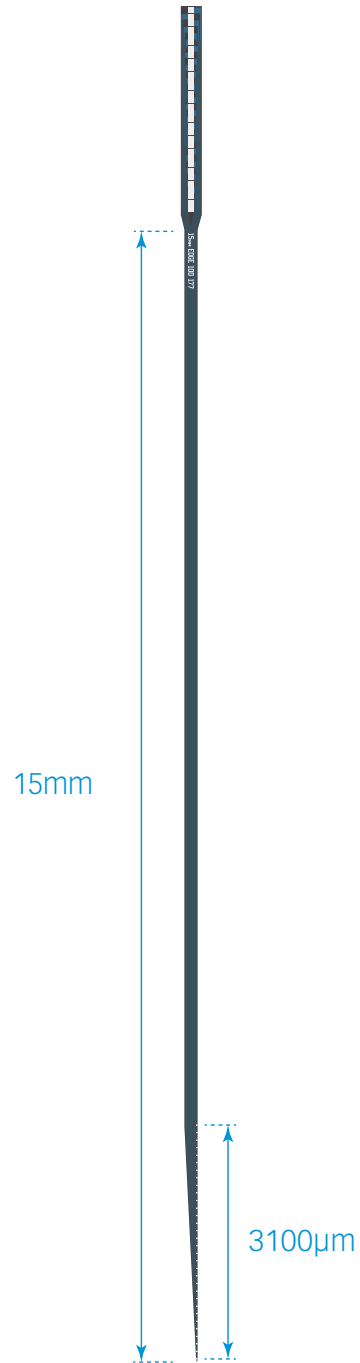
OV32_60_50
OV32_100_50

(Package_Length_Thickness)

thickness

50 µm

V1x32-Edge-15mm-100-177



TIP DETAIL



available packages

ACUTE

V32_60_50
V32_100_50
VZ32_60_50
VZ32_100_50

CHRONIC

VC32
VZC32

OPTOGENETICS

OV32_60_50
OV32_100_50

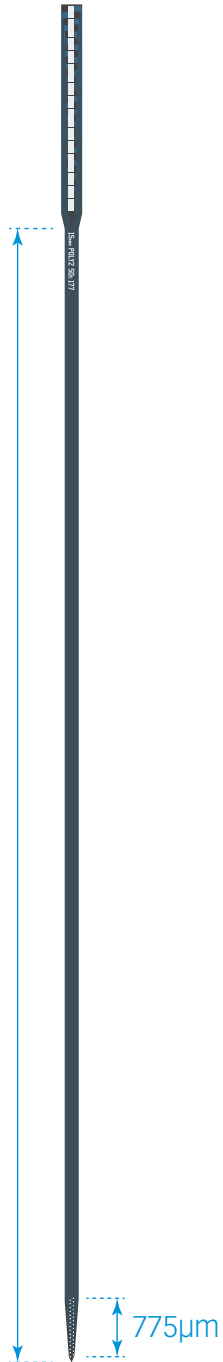
(Package_Length_
Thickness)

thickness

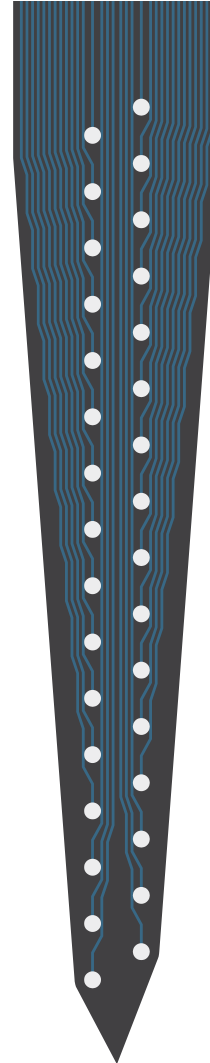
50 µm

V1x32-Poly2-15mm-50s-177

15mm



TIP DETAIL



available packages

ACUTE

V32_60_50
V32_100_50
VZ32_60_50
VZ32_100_50

CHRONIC

VC32
VZC32

OPTOGENETICS

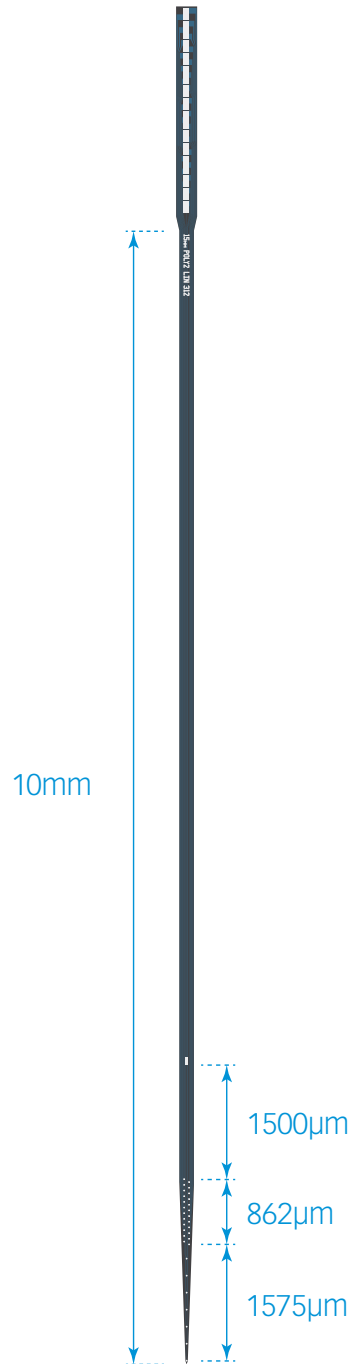
OV32_60_50
OV32_100_50

(Package_Length_
Thickness)

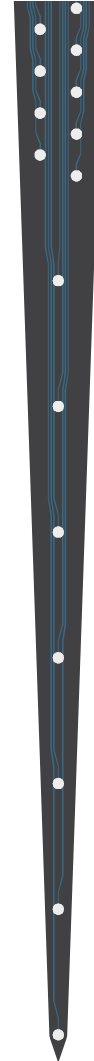
thickness

50 µm

V1x32-Poly2-Lin-15mm-312



TIP DETAIL



available packages

ACUTE

V32_60_50
V32_100_50
VZ32_60_50
VZ32_100_50

CHRONIC

VC32
VZC32

OPTOGENETICS

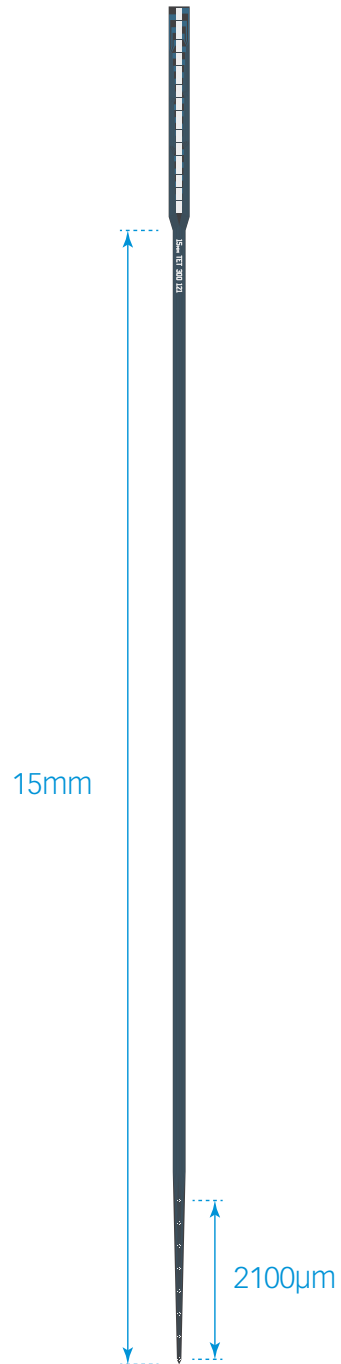
OV32_60_50
OV32_100_50

(Package_Length_Thickness)

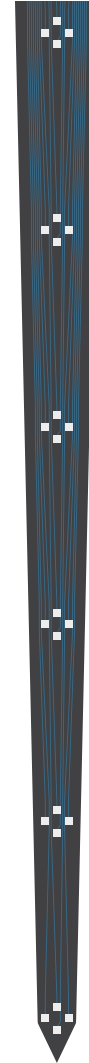
thickness

50 µm

V1x8-tet-15mm-300-121



TIP DETAIL



available packages

ACUTE

V32_60_50
V32_100_50
VZ32_60_50
VZ32_100_50

CHRONIC

VC32
VZC32

OPTOGENETICS

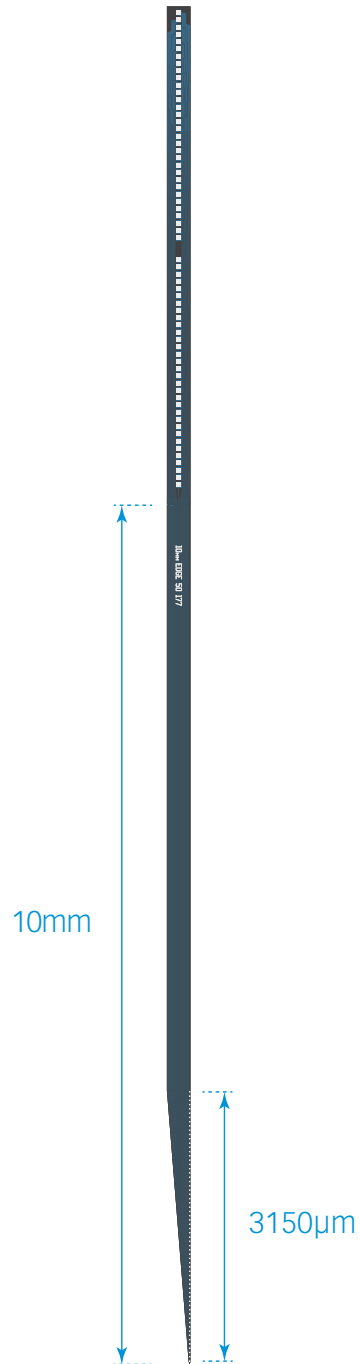
OV32_60_50
OV32_100_50

(Package_Length_Thickness)

thickness

50 µm

V1x64-Edge-10mm-50-177



TIP DETAIL



available packages

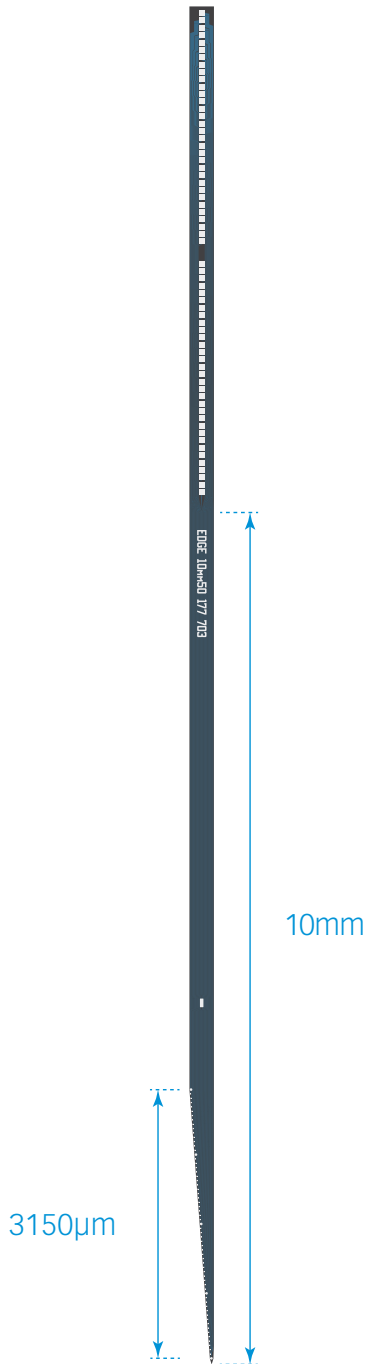
ACUTE
V64_60_50
V64_100_50

CHRONIC
VC64

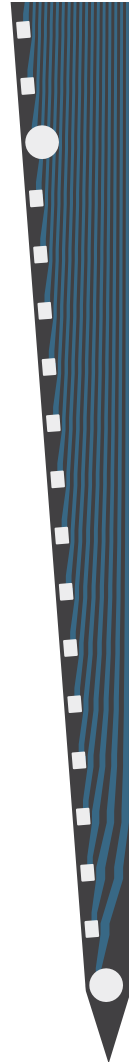
thickness

50 µm

V1x64-Edge-10mm-50-177-703



TIP DETAIL



available packages

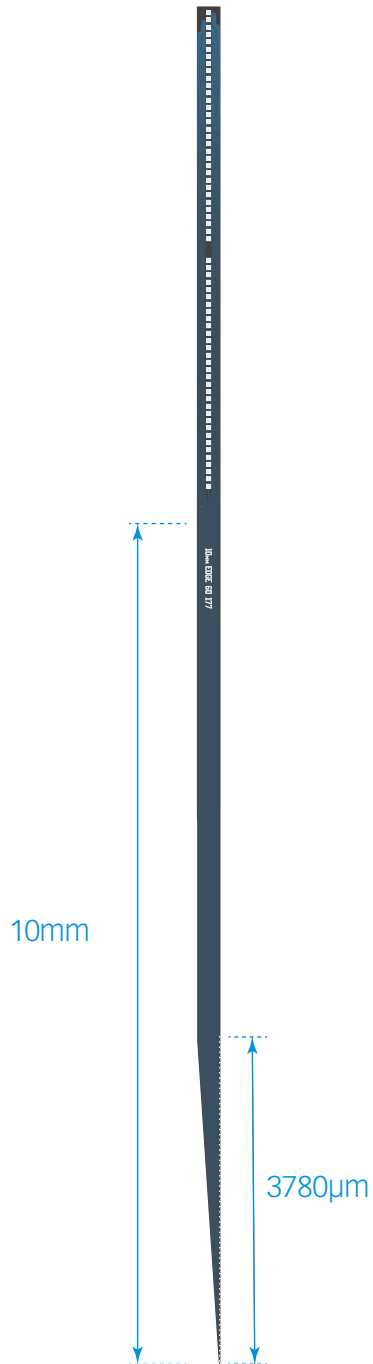
ACUTE
V64_60_50
V64_100_50

CHRONIC
VC64

thickness

50 µm

V1x64-Edge-10mm-60-177



TIP DETAIL



available packages

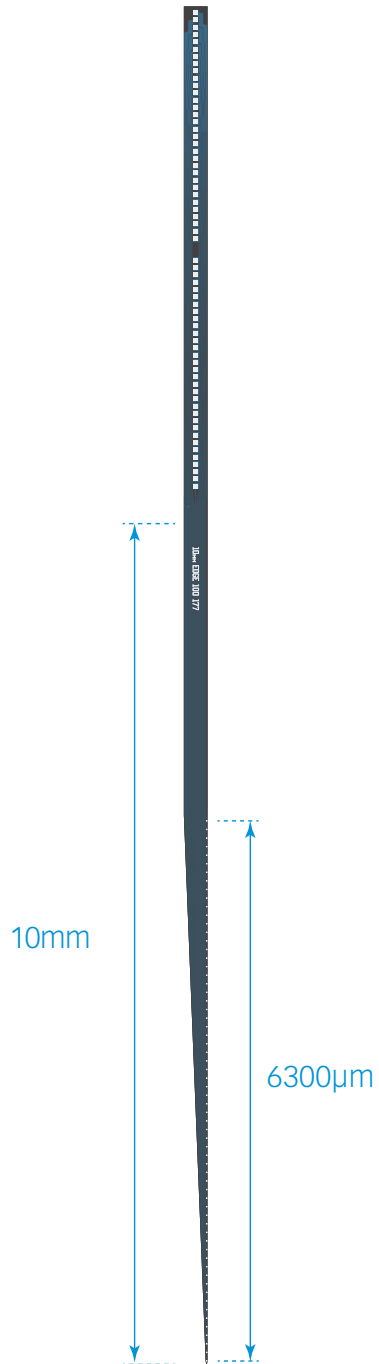
ACUTE
V64_60_50
V64_100_50

CHRONIC
VC64

thickness

50 µm

V1x64-Edge-10mm-100-177



TIP DETAIL



available packages

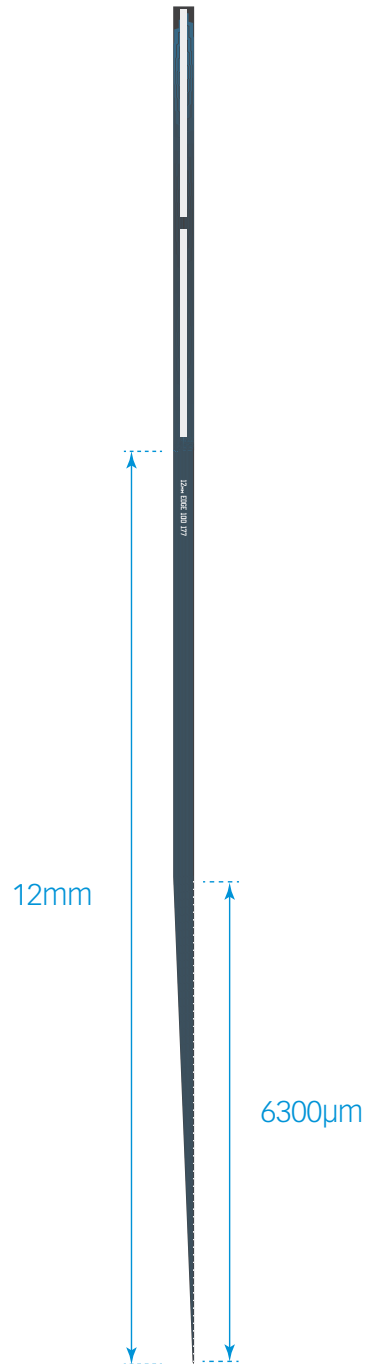
ACUTE
V64_60_50
V64_100_50

CHRONIC
VC64

thickness

50 µm

V1x64-Edge-12mm-100-177



TIP DETAIL



available packages

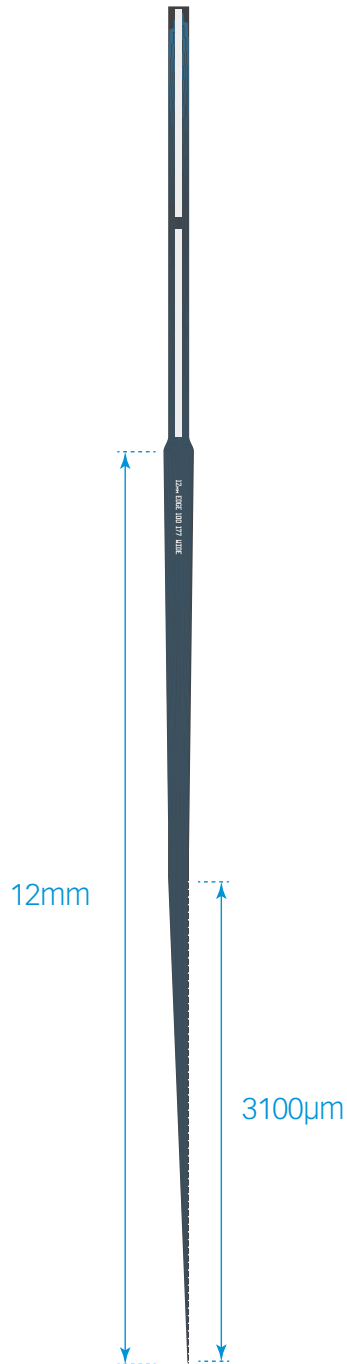
ACUTE
V64_60_50
V64_100_50

CHRONIC
VC64

thickness

50 µm

V1x64-Edge-12mm-100-177- Wide



TIP DETAIL



available
packages

ACUTE
V64_60_50
V64_100_50

CHRONIC
VC64

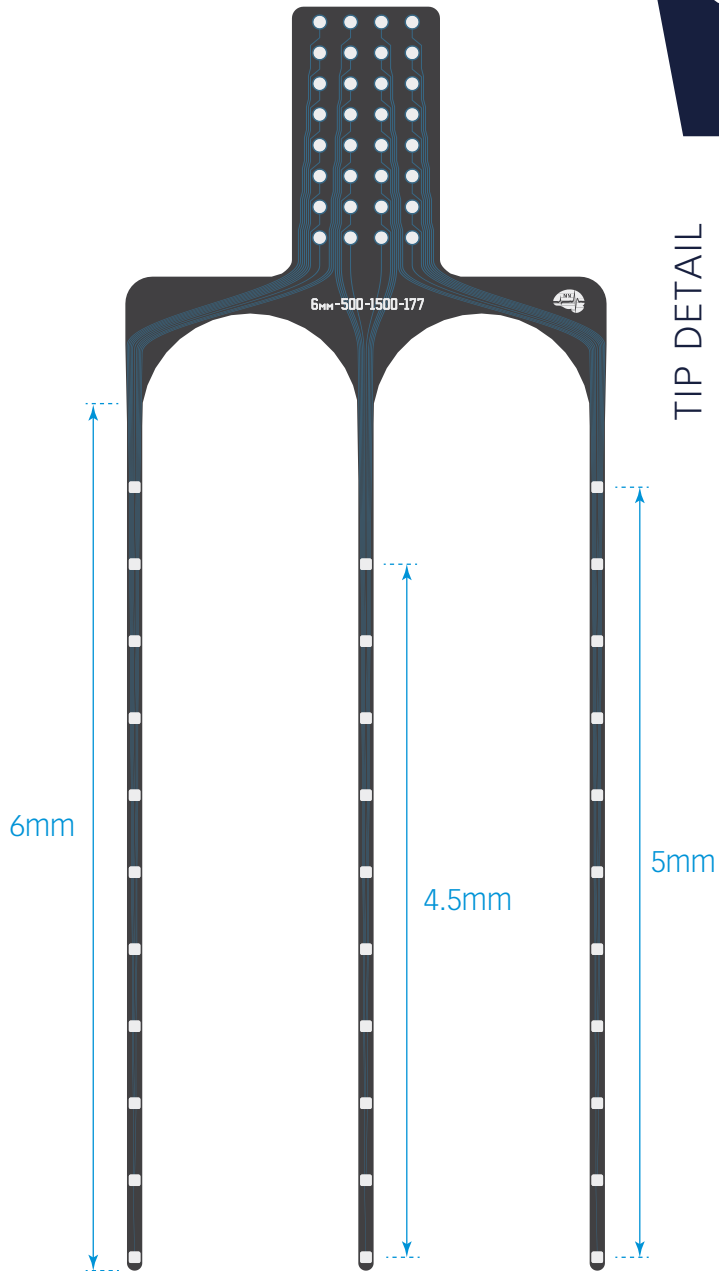
thickness

50 µm



Cardiac Surface Arrays

CP3x11/10/11-6mm-500-1500-177



available packages

Contact us to configure the optimal connector package for your surgical prep

thickness

15 μ m