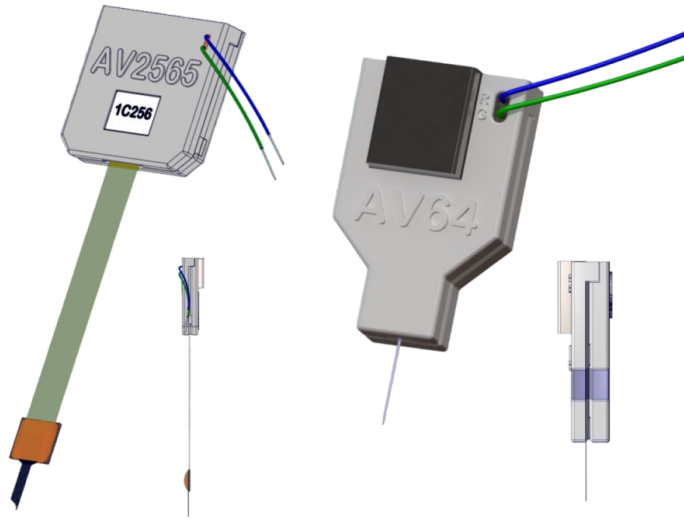




NeuroNexus

Activus Probes

Activus Probes: The latest in NeuroNexus innovation, integrate active circuitry for enhanced signal quality and reduced size and weight in high-channel count probe packages.



Advantages

- Compatible with standard and customized probe designs.
- Ultra-compact packages for acute or chronic applications.
- Close proximity digitization reduces noise and artifacts.
- Directly connects to XDAQ, SmartBox Pro, Intan, or Open-Ephys systems.

Specifications

Channel Count	64, 128, 256
A/D Converter	16-bit ADC
Sampling Rate	1-30 k Samples/s per channel
Cutoff Frequency	Low: 0.1-500 Hz High: 100 Hz-20 kHz
Low input-referred noise	2.4 μ V rms
Electrode Length	1.5-14 mm *
Electrode Thickness	15 μ m or 50 μ m *
Electrode Site Material	Standard: Ir Custom: Pt, Au
Shanks	Quantity: 1-16 Length: 1.5-15 mm

*varies by design & customizable

System Requirements:

Radiens Analytics Software Suite, Open-Ephys GUI, or Intan RHX, in addition to one of the following:

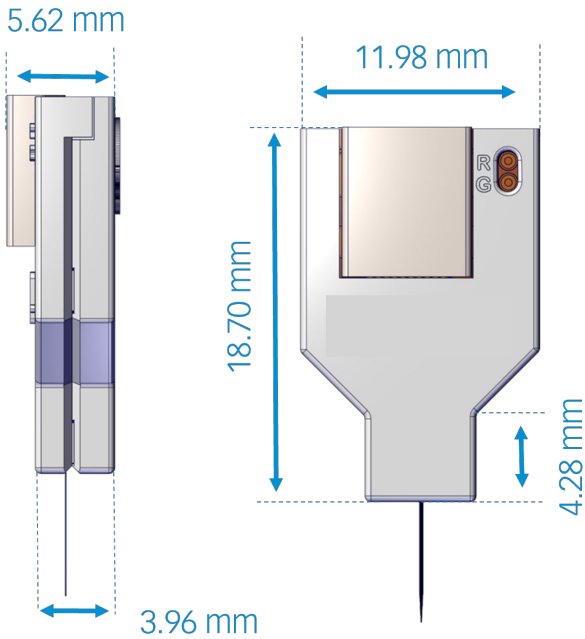
- NeuroNexus XDAQ/SmartBox Pro Systems
- Open-Ephys DAQ System
- Intan DAQ System

Probe Package Options

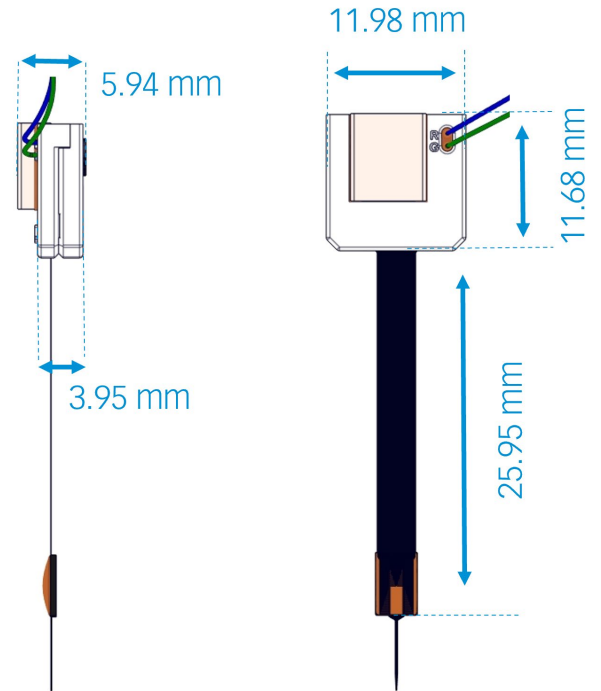
- Cable or no cable (Chronic & Acute)
- Cable length: 30 mm
- SmartLink cable connector
- SPI cable connector
- Compatible with implantable microdrives
- Compatible with NeuroNexus insertion assist devices

Activus 64 packages

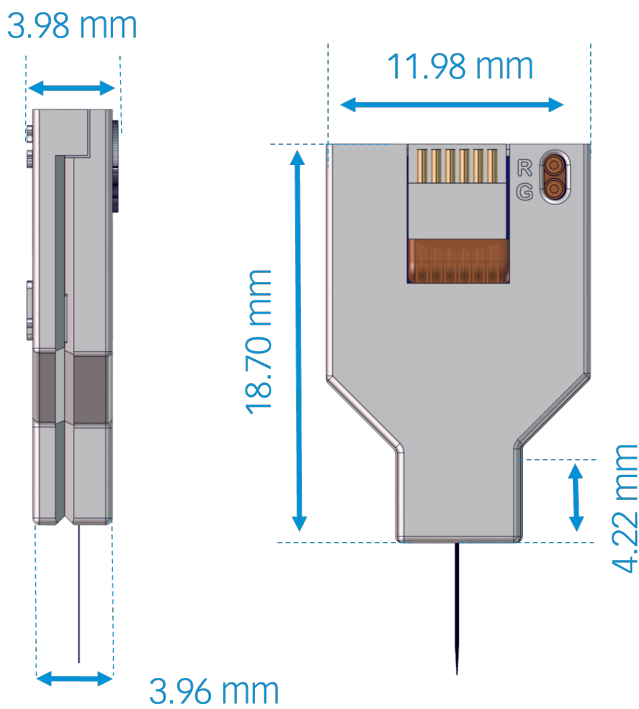
AV64



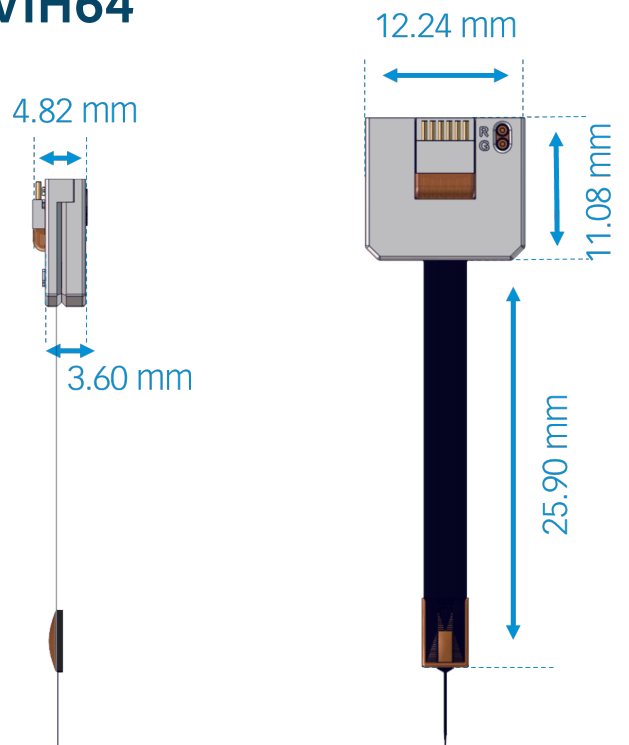
AVH64



AVI64

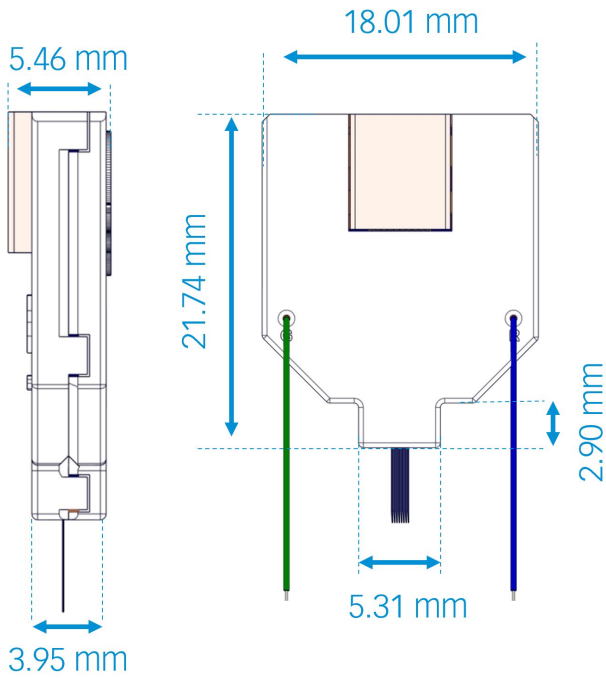


AVIH64

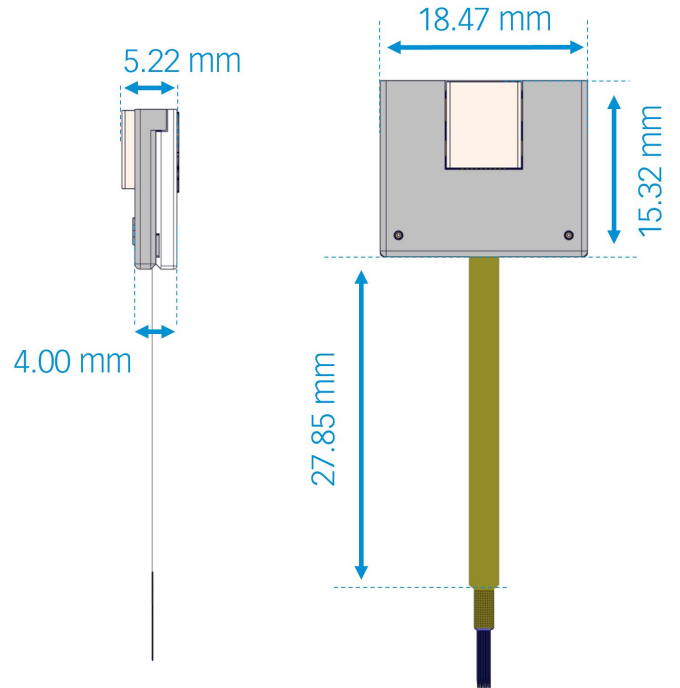


Activus 128 packages

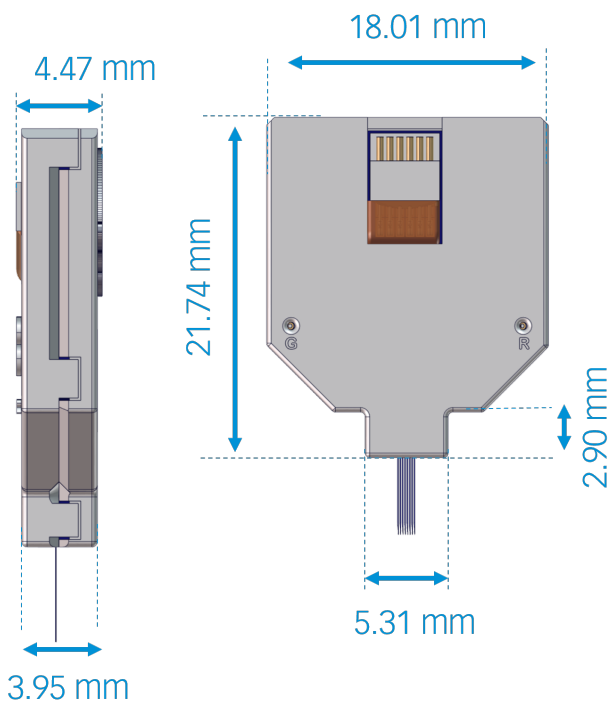
AV128



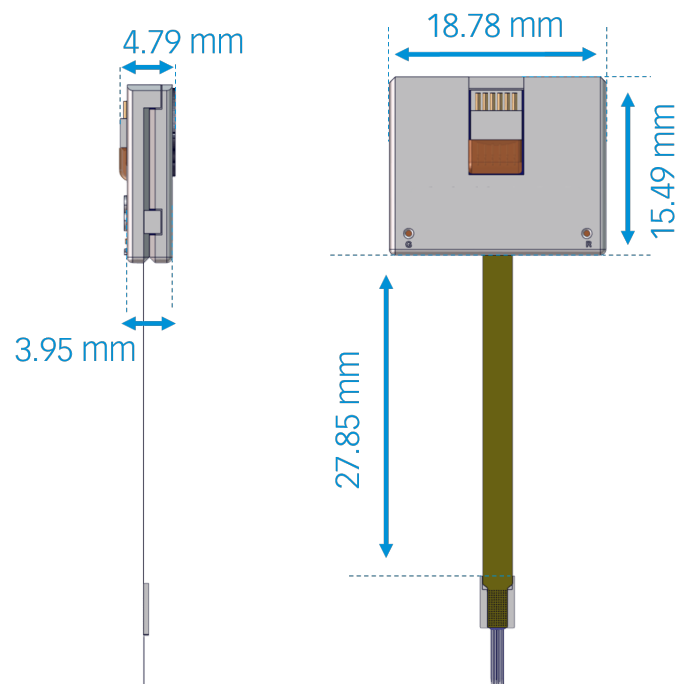
AVH128



AVI128

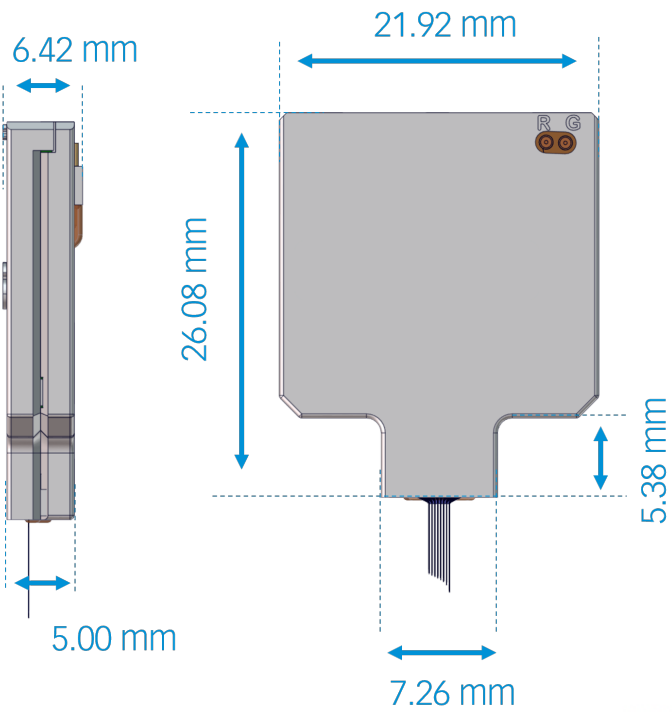


AVIH128

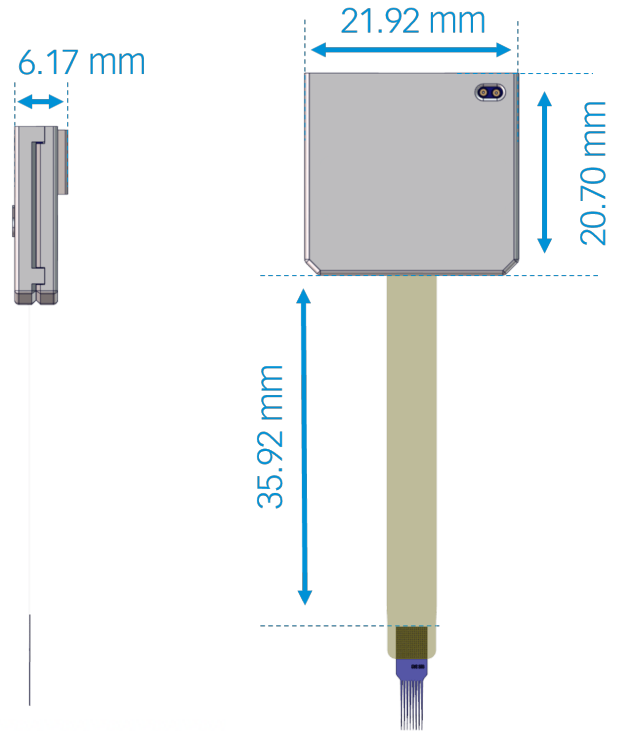


Activus 256 packages

AV256



AVH256



HDMI-Intan Adapter

- Facilitates connectivity between an HDMI connector on the SmartLink cable and two PZN Omnetics connectors on the Intan Evaluation board.
- Enables the connection of up to 256 channels to the Intan Evaluation system, offering enhanced versatility and expanded functionality.

